



Data sheet

Hydraulic data

Maximum operating pressure P_N	7 bar
Hydraulics type	Open single-channel impeller
Free ball passage of the hydraulics	5 mm
Max. volume flow Q_{\max}	11,9 m ³ /h
Max. delivery head H_{\max}	9,9 m
Min. fluid temperature T_{\min}	3 °C
Max. fluid temperature T_{\max}	35 °C
Min. ambient temperature T_{\min}	3 °C
Max. ambient temperature T_{\max}	35 °C

Motor data

Mains connection	1~230 V, 50 Hz
Voltage tolerance	±10 %
Rated power P_2	0,4 kW
Rated current I_N	2,3 A
Rated speed n	2900 1/min
Power consumption $P_{1 \max}$	550 W
Max. switching frequency t	50 1/h
Activation type	Direct On Line (DOL)
Insulation class	B
Protection class motor	IP44

Materials

Pump housing	PP
Impeller	Brass
Shaft	Stainless steel
Shaft seal	BXPFF
Gasket material	NBR
Motor housing	5.1301/EN-GJL-250 KTL-coated

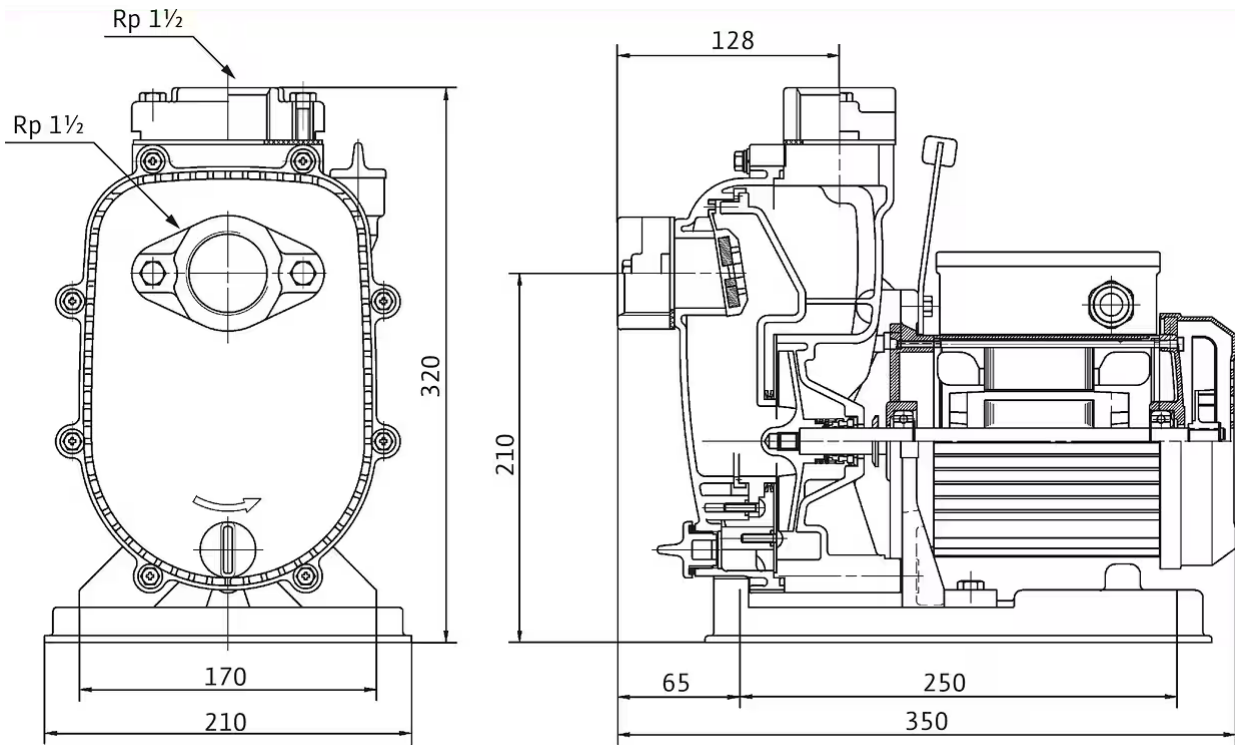
Installation dimensions

Pipe connection on the suction side DNs	Rp 1½
Pipe connection on the discharge side DNd	Rp 1½

Pump curves

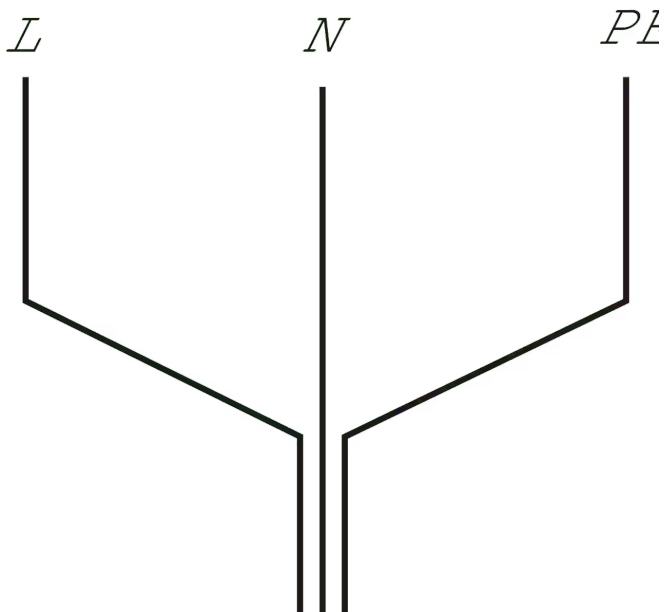
Dimensions and dimensions drawings

Wilo-Drain LP 40/10



Wiring diagram

1~230 V, 50 Hz



Tender text

Self-priming drainage pump for the portable and stationary dry well installation for pumping clean and lightly contaminated water and sea water. Hydraulics with a horizontal suction connection and a vertical pressure connection and threaded connection. Vortex impellers are the impeller type used. Hydraulics made of plastic, impeller made of brass. Drive is provided by a single-phase version standard motor that features a motor housing made of aluminium. The connection cable must be provided by the customer. The hydraulics

and motor have a common shaft. Stable installation is carried out using a low-vibration baseplate.

Operating data

Product data

Hydraulics type	Open single-channel impeller
Free ball passage of the hydraulics	5 mm
Maximum operating pressure P_N	7 bar
Fluid temperature T	3 °C

Motor data

Mains connection	1~230 V, 50 Hz
Voltage tolerance	±10 %
Rated power P_2	0,4 kW
Power consumption $P_{1\max}$	0,55 kW
Rated current I_N	2,3 A
Activation type	Direct On Line (DOL)
Rated speed n	2900 1/min
Max. switching frequency t	50 1/h
Insulation class	B
Protection class	IP44

Materials

Pump housing	PP
Impeller	Brass
Shaft	Stainless steel
Shaft seal	BXPFF
Gasket material	NBR
Motor housing	5.1301/EN-GJL-250 KTL-coated

Installation dimensions

Pipe connection on the suction side D_Ns	Rp 1½
Pipe connection on the discharge side D_Nd	Rp 1½

Ordering information

Brand	Wilo
Product description	Drain LP 40/10
Net weight, approx. m	12 kg
Article number	2047645

Installation type

Level control with float switch

Level measurement using a level sensor with various measurement ranges, including high water alarm and dry-running protection.

Switchgear Wilo-Control MS-Lift

MS-L-1x4kW-DOL	2539741
MS-L-2x4kW-DOL	2539745

Battery 9V,200mA

NiMh rechargeable battery, 9 V/200 mAh	2522850
--	---------

Float switch WA

Float switch WA65 with 10 m cable	503211893
Float switch WA65 with 20 m cable	2004431
Float switch WA65 with 30 m cable	2004432
Float switch WA65 with 5 m cable	503211390

Signal horn

Signal horn 1~230 V	501459398
---------------------	-----------

Flash light

1~230 VAC flash light, wall fixation	2551613
--------------------------------------	---------

Mains-independent alarm signal

Alarm signal for detection of flooding in rooms and buildings. The alarm signal is acoustic, optical or wireless. In addition, other consumers can be controlled directly.

AlarmControl

AlarmControl 1	2522846
AlarmControl 2	2522847

Small alarm switchgear

Small alarm switchgear KAS	501534094
----------------------------	-----------

Portable dry installation DN 40

Hose connection

Hose nozzle Ø 40 mm/R 1½	4027335
--------------------------	---------

Plastic hose without coupling

Synthetic pressure hose 15 m, Ø 42 mm	2027643
Synthetic pressure hose 3 m, Ø 42 mm	2027641

Synthetic pressure hose 5 m, Ø 42 mm	2027642
--------------------------------------	---------

Suction hose set for drainage and sewage

Suction hose set Rp 1½ (DN 40), 3 m	6042689
Suction hose set Rp 1½ (DN 40), 6 m	6042690

Mechanical accessories

Hoses / hose joints

Hose connection

Hose nozzle Ø 40 mm/R 1½	4027335
--------------------------	---------

Plastic hose without coupling

Synthetic pressure hose 10 m, Ø 52 mm	2017192
Synthetic pressure hose 20 m, Ø 90 mm	2017193
Synthetic pressure hose 30 m, Ø 90 mm	2017194
Synthetic pressure hose 10 m, Ø 110 mm	2017196
Synthetic pressure hose 20 m, Ø 110 mm	2017197
Synthetic pressure hose 30 m, Ø 110 mm	2017198
Synthetic pressure hose 10 m, Ø 60 mm	2018106
Synthetic pressure hose 3 m, Ø 42 mm	2027641
Synthetic pressure hose 5 m, Ø 42 mm	2027642
Synthetic pressure hose 15 m, Ø 42 mm	2027643
Synthetic pressure hose 3 m, Ø 60 mm	2027644
Synthetic pressure hose 5 m, Ø 60 mm	2027645

Suction hose set for drainage and sewage

Suction hose set Rp 1½ (DN 40), 3 m	6042689
Suction hose set Rp 1½ (DN 40), 6 m	6042690

Electrical accessories

Pump control

Switchgear Wilo-Control MS-Lift

MS-L-1x4kW-DOL	2539741
MS-L-2x4kW-DOL	2539745

Pump control/accessories

Battery 9V,200mA

NiMh rechargeable battery, 9 V/200 mAh	2522850
--	---------

Alarm signal

AlarmControl

AlarmControl 1	2522846
AlarmControl 2	2522847

DrainAlarm

DrainAlarm	2545133
DrainAlarm FIRST	2550526

Flash light

1~230 VAC flash light, surface mounting	2510429
24 VDC flash light, wall fixation	2551612
1~230 VAC flash light, wall fixation	2551613

Signal horn

Signal horn 12-24 VDC	2017208
Signal horn 1~230 V	501459398

Small alarm switchgear

Small alarm switchgear KAS	501534094
----------------------------	-----------

Level control

Float switch MS1

Float switch MS1 with 10 m cable	2004593
----------------------------------	---------

Float switch WA

Float switch WA65 with 5 m cable	503211390
Float switch WA65 with 10 m cable	503211893

Float switch WA65 with 20 m cable	2004431
Float switch WA65 with 30 m cable	2004432
Float switch WA KR1 S with 5 m cable	6082806
Float switch WA KR1 S with 10 m cable	6082807
Float switch WA65 (PSN-X) with 20 m cable	6088843
Float switch WA65 (PSN-X) with 10 m cable	6088844
Float switch WA65 (PSN-X) with 5 m cable	6088845

Float switch WAO

Float switch WAO 65, 5 m cable	503211595
Float switch WAO 65, 10 m cable	2006027
Float switch WAO 65, 20 m cable	2004429
Float switch WAO 65, 30 m cable	2004430