



Single phase

Application

- For water supply from wells or reservoirs
- For domestic use, for civil and industrial applications
- For garden use and irrigation

Operating conditions

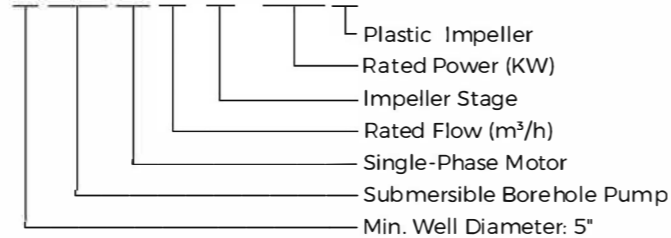
- Maximum fluid temperature up to +40°C
- Maximum sand content: 0.15%
- Minimum well diameter: 5"

Motor and Pump

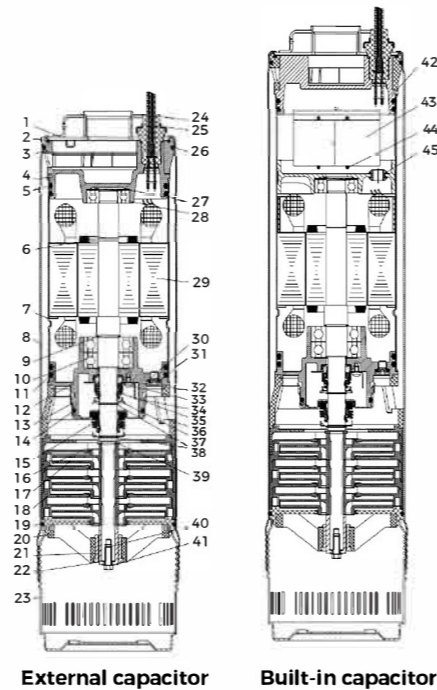
- Rewindable motor
- **Single-phase:** 220 - 240V/50Hz
- **Three-phase:** 380 - 415V/50Hz
- Cable length: 10 m
- Insulation class: F
- Protection class: IP68
- Equip with start control box and float switch (As standard)
- Curve tolerance according to ISO 9906
- Standard: Built-in capacitors
Optional: External capacitors

Identification Codes

5 DW m 4 / 3 - 0.55 P



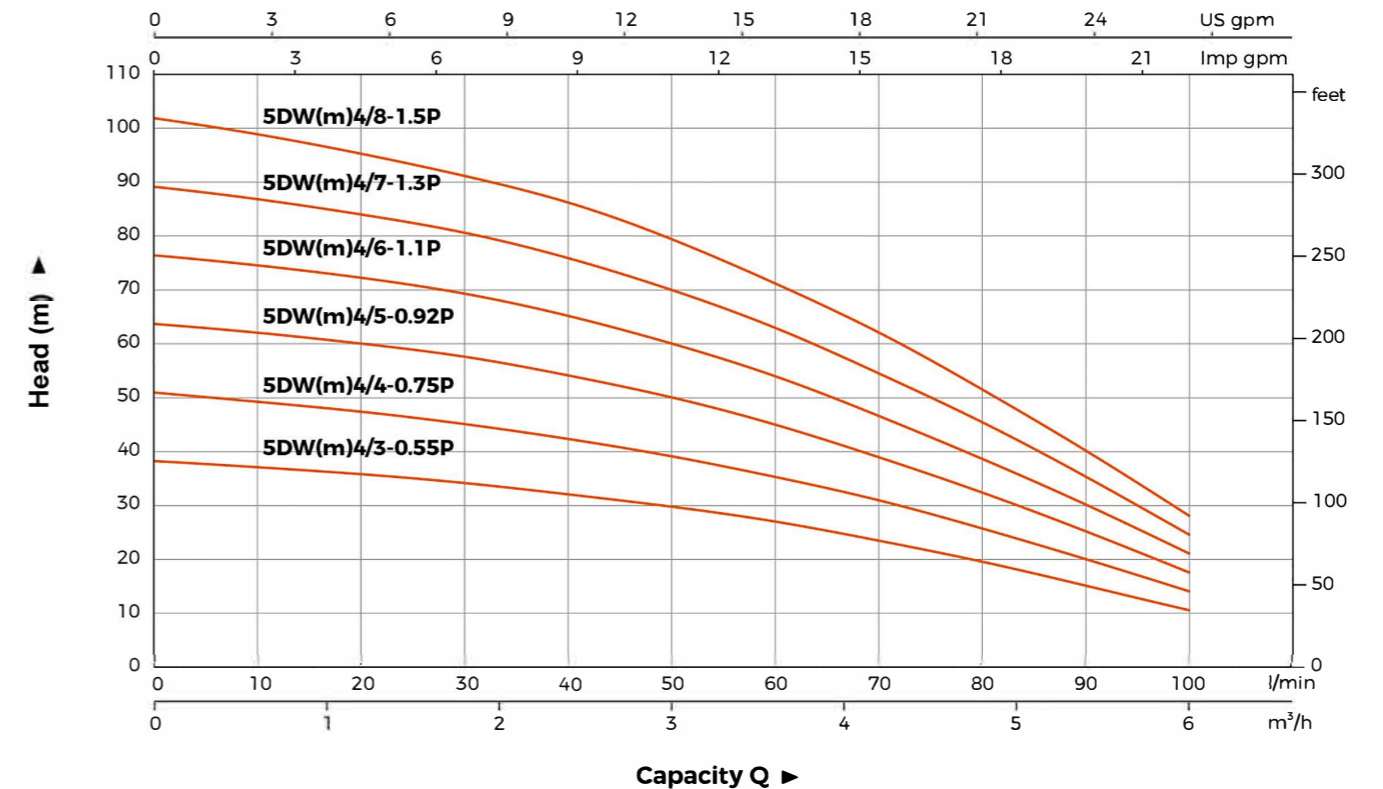
No.	Components	Material	No.	Components	Material
1	Delivery casing	AISI304	24	Cable	
2	O-ring	NBR	25	Cable clamp	AISI201
3	Upper bearing bracket	PPO	26	O-ring	NBR
4	Iron bearing seat	HT250	27	Corrugated washer	65Mn
5	O-ring	NBR	28	Bearing 6203	
6	Rotor		29	coil	
7	Motor external casing	AISI201	30	Oil screw	AISI304
8	Pump external casing	AISI304	31	O-ring	NBR
9	Shaft retaining ring	65Mn	32	Static ring clamp	AISI430
10	Bearing 6204		33	Screws	
11	O-ring	NBR	34	Cylinder baffle	AISI430
12	Iron lower bearing seat	HT250	35	Mechanical seal	Graphite/Ceramics
13	Oil cylinder cover	AISI304	36	Lower bearing bracket	PPO
14	O-ring	NBR	37	Gasket	AISI304
15	Mechanical seal	Graphite/Ceramics	38	Shaft retaining ring	65Mn
16	volute	PPO	39	Gasket	AISI304
17	Impeller	PPO	40	Outer hexagon bolt	AISI304
18	volute	PPO	41	Flat pad + Spring pad	AISI304
19	O-ring	NBR	42	Barrel top cover	HT250
20	Support seat assembly		43	Capacitor	
21	Rubber bearing		44	O-ring	NBR
22	Shaft sleeve	AISI304	45	Outlet sheath	Rubber
23	Bottom support	AISI304			



External capacitor

Built-in capacitor

Hydraulic Performance Curves



Technical Data

Model		Power		DELIVERY n=2850 rpm											
1- 220 - 240V	3- 380 - 415V	kW	HP	Q(m³/h)	0	0.6	1.2	1.8	2.4	3.0	3.6	4.2	4.8	5.4	6.0
				Q(l/min)	0	10	20	30	40	50	60	70	80	90	100
5DWm4/3-0.55P	5DW4/3-0.55P	0.55	0.75	H (m)	38	37	36	35	33	30	27	23	19	15	11
5DWm4/4-0.75P	5DW4/4-0.75P	0.75	1		51	50	49	47	44	41	36	31	25	20	14
5DWm4/5-0.92P	5DW4/5-0.92P	0.92	1.25		64	62	61	59	55	51	45	39	31	25	18
5DWm4/6-1.1P	5DW4/6-1.1P	1.1	1.5		77	74	73	71	66	61	54	46	37	30	21
5DWm4/7-1.3P	5DW4/7-1.3P	1.3	1.75		89	87	85	82	77	71	63	54	44	35	25
5DWm4/8-1.5P	5DW4/8-1.5P	1.5	2		102	99	97	94	88	81	72	62	50	40	28

Dimension

Model		ΦD (mm)	DN	Dimension(mm)		Weight(kg)	
1- 220 - 240V	3- 380 - 415V			H(s)	H(τ)	G.W(s)	G.W(τ)
5DWm4/3-0.55P	5DW4/3-0.55P	Φ130	1 1/4"	499	499	13.1	12.5
5DWm4/4-0.75P	5DW4/4-0.75P	Φ130	1 1/4"	538	538	15	14.6
5DWm4/5-0.92P	5DW4/5-0.92P	Φ130	1 1/4"	577	577	17.5	17
5DWm4/6-1.1P	5DW4/6-1.1P	Φ130	1 1/4"	616	616	19.5	19
5DWm4/7-1.3P	5DW4/7-1.3P	Φ130	1 1/4"	655	655	21.8	21.5
5DWm4/8-1.5P	5DW4/8-1.5P	Φ130	1 1/4"	694	694	24	23.5

