



Next generation of motor on-board inverter



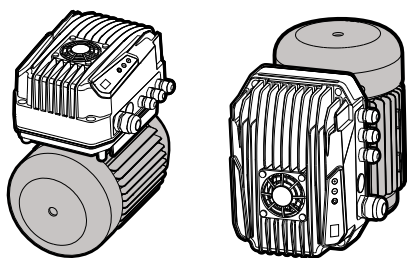
nastec.eu


NASTEC[®]
> we move it faster >

Ideal for water booster sets, HVAC systems with circulating pumps and control of submersible pumps

It ensures:

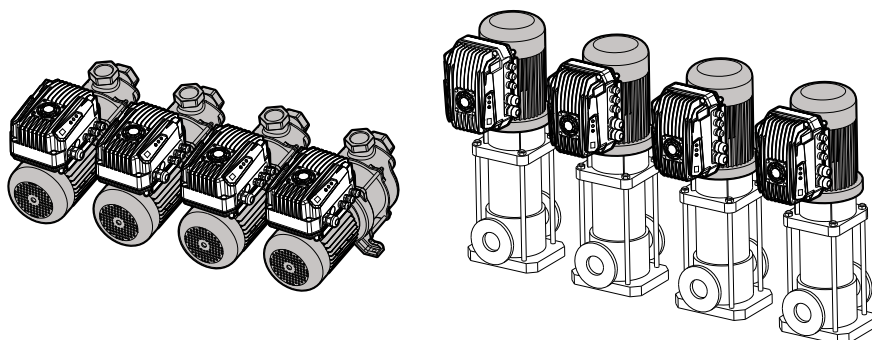
- Energy saving due to variable speed control.
- Soft start and soft stop.
- Extended system life and reliability.
- Installation on humid and dusty environments made possible by IP66 (NEMA 4X) protection degree.
- Simplified installation on motor or wall.
- Easy and fast commissioning thanks to initial configuration wizard.
- High thermal and mechanical performance thanks to aluminium case and independent ventilation.



MIDA can be installed directly on motor terminal box of horizontal or vertical axis pumps

Multi-pump operation COMBO

- Up to 8 units.
- Alternance for uniform pump wearing.
- Master or slave replacement in case of failure to ensure continuity of operation.





OLED display*

- Graphic OLED display with extended range of operating temperature and wide viewing angle.
- Easy reading of main parameters and alarms.
- Led indication for stand-by, run and alarm conditions.
- Complete programming through smartphone.

* OLED display available on request in the course of 2021.

Several control modes:

- Constant pressure control.
- Constant or proportional differential pressure control.
- Constant temperature control.
- Constant differential temperature control.
- Constant flow control.
- External frequency control (trimmer) or 1 or 2 preset frequencies control.

EMC compatibility for residential environment on single phase models:

- Integrated PFC (P.F. 1) to meet EN61000-3-2
- Integrated input filter for Category C1 (EN61800-3), Class B (EN55011)
- Integrated input filter for Category C2 (EN61800-3), Class A (EN55011) on three phase models

Built-in protections against:

- Overvoltage and undervoltage.
- Overcurrent and no load.
- Dry running.
- Overtemperature.

Advanced motor controls:

- Next generation control of asynchronous motors.
- Sensorless control of permanent magnet synchronous motors.



Quick connections

The size 2 devices are equipped with a quick connection system that allows you to run all the cables on the base, fixed to the motor or to the wall, and then apply the power part. In this way they ensure:

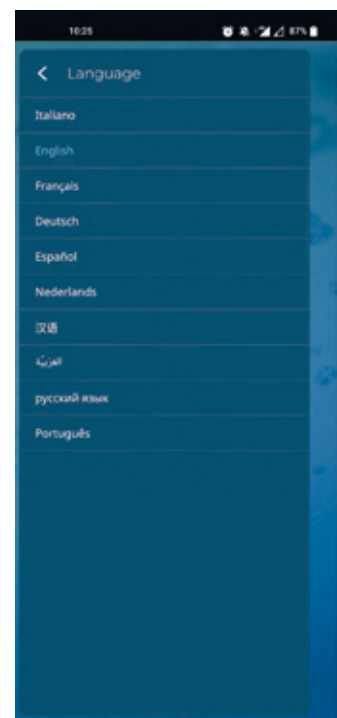
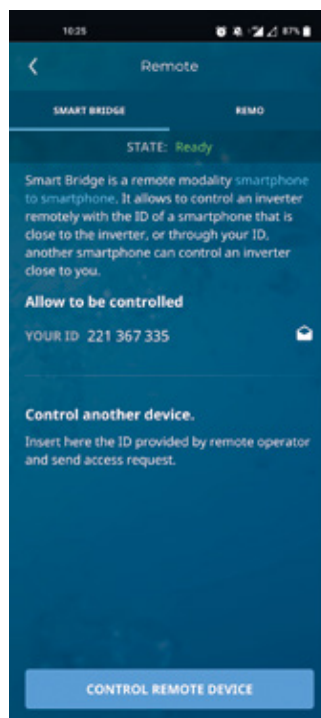
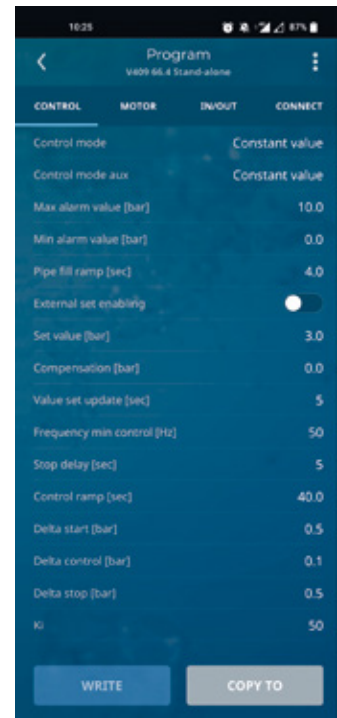
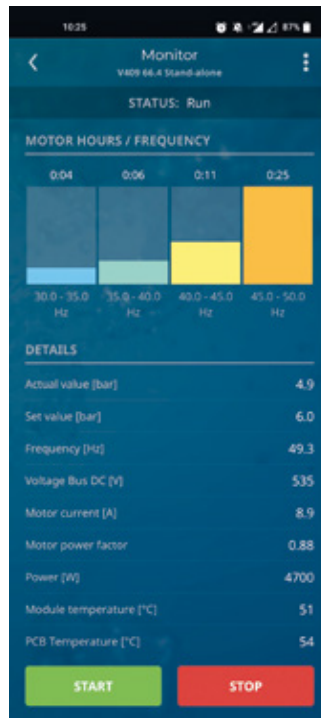
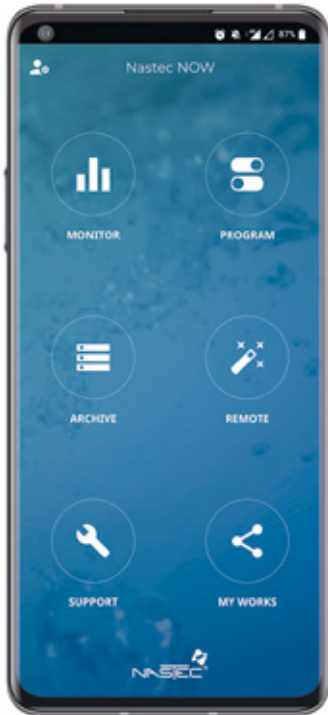
- Convenient and safe wiring without the risk of damaging the power unit and releasing foreign bodies inside it.
- Easy replacement of the power part in case of failure or maintenance without the need to re-route the cables.
- Increased the safety of the device that can be started only in case of complete closure of the same.



Unmatched user experience

Thanks to Nastec NOW App it's possible to communicate with all Nastec devices Bluetooth® SMART in order to:

- Monitor multiple operating parameters simultaneously on the wide, high definition, coloured screen of your smartphone or tablet.
- Get statistics of energy consumption and check alarms history.
- Make programs, save them in the archive, copy them to other devices and share them among multiple users.
- Perform reports with the possibility to insert notes, images and email them or keep them into the digital archive.
- Remotely control, via wi-fi or GSM, a Nastec device, using a smartphone nearby as a modem.



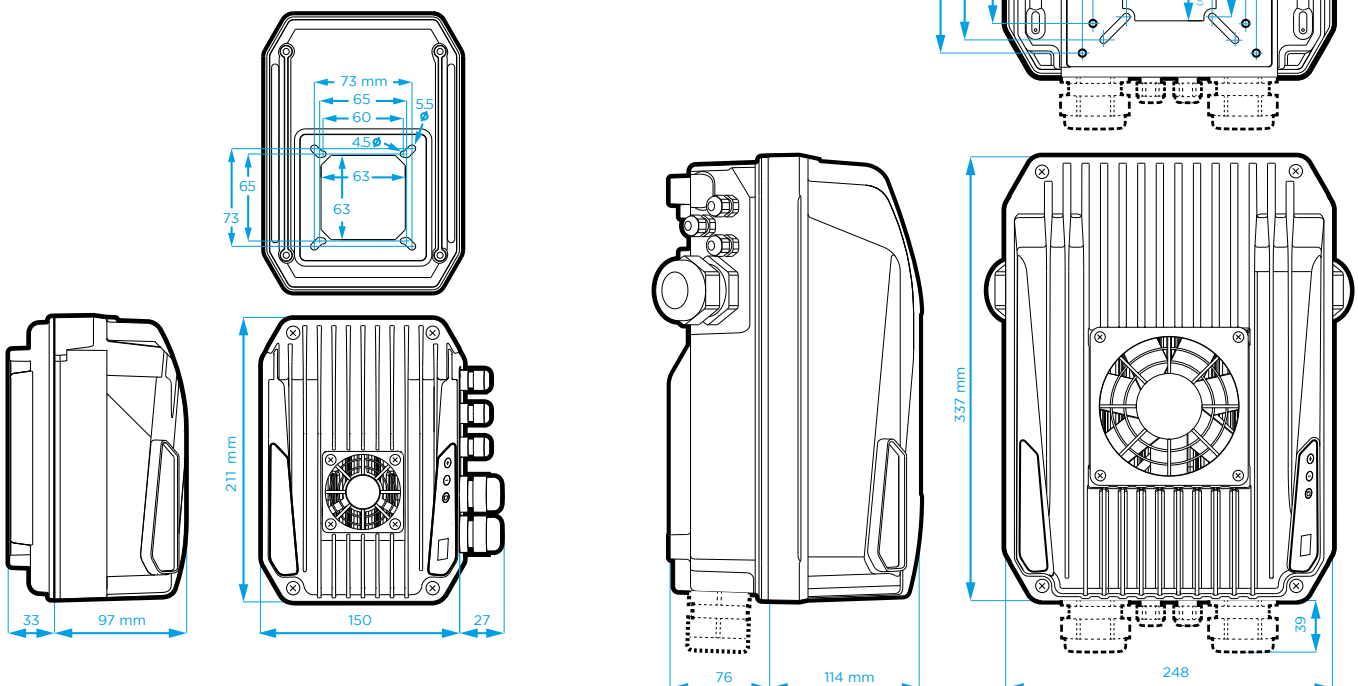
Technical specifications

Model	Vin ± 15% VAC	Max V out VAC	Max I in A	Max I out A	P2 motor power * kW	Size
MIDA 203	1 x 230	3 x Vin	4,5	3	0,55	1
MIDA 205	1 x 230	3 x Vin	7,5	5	1,1	1
MIDA 207	1 x 230	3 x Vin	11	7,5	1,5	1
MIDA 304	3 x 230	3 x Vin	3,7	4	0,75	1
MIDA 306	3 x 230	3 x Vin	5,4	6	1,1	1
MIDA 309	3 x 230	3 x Vin	8	9	2,2	1
MIDA 314	3 x 230	3 x Vin	13,5	14	3	2
MIDA 318	3 x 230	3 x Vin	17,5	18	4	2
MIDA 325	3 x 230	3 x Vin	24	25	5,5	2
MIDA 330	3 x 230	3 x Vin	29	30	7,5	2
MIDA 338	3 x 230	3 x Vin	36,5	38	9,3	2
MIDA 344	3 x 230	3 x Vin	42	44	11	2
MIDA 404	3 x 380 - 460	3 x Vin	3,7	4	1,1	1
MIDA 406	3 x 380 - 460	3 x Vin	5,4	6	2,2	1
MIDA 409	3 x 380 - 460	3 x Vin	8	9	4	1
MIDA 414	3 x 380 - 460	3 x Vin	13,5	14	5,5	2
MIDA 418	3 x 380 - 460	3 x Vin	17,5	18	7,5	2
MIDA 425	3 x 380 - 460	3 x Vin	24	25	11	2
MIDA 430	3 x 380 - 460	3 x Vin	29	30	15	2
MIDA 438	3 x 380 - 460	3 x Vin	36,5	38	18,5	2
MIDA 444	3 x 380 - 460	3 x Vin	42	44	22	2

* Typical motor power. It is recommended to refer to rated motor current when selecting the MIDA model.

General characteristics

- Rated frequency: 50 - 60 Hz (+/- 2%)
- Ambient temperature: - 10 - 40°C (14 - 104 °F)
- Max. altitude at rated current: 1000 m
- Protection degree: IP66 (NEMA 4X)
- Settable digital outputs N.O. or N.C.:
 1. Motor run signal
 2. Alarm signal
- Analog inputs (10 or 15 VDC):
 1. 4 - 20 mA 3. 0 - 10 VDC
 2. 4 - 20 mA 4. 0 - 10 VDC
- 4 digital inputs, configurable N.O. or N.C. for motor run/stop
- RS485 MODBUS RTU, Bluetooth® SMART* (4.0)



Nastec srl

Via della Tecnica 8
36048 Barbarano Mossano
Vicenza - Italy

tel +39 0444 886289
fax+39 0444 776099
info@nastec.eu

nastec.eu

