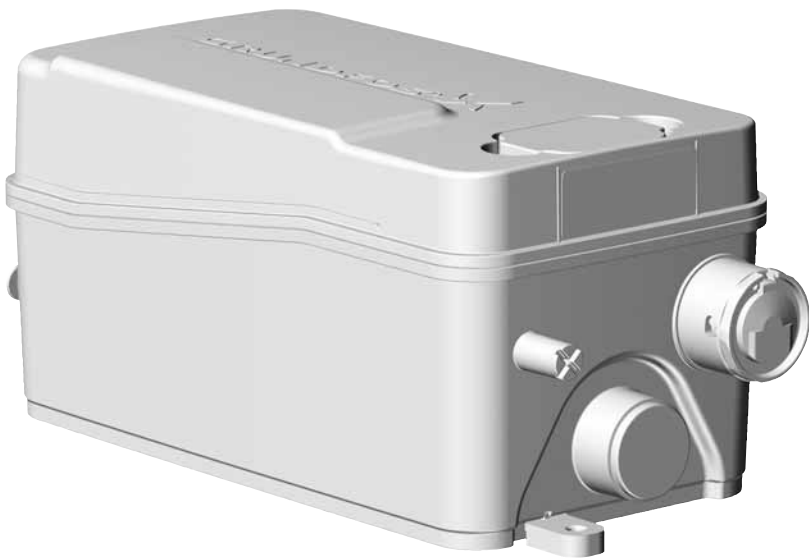


Sololift2 D-2

Installation and operating instructions



Other languages



Sololift2 D-2
<http://net.grundfos.com/qr/i/97781574>

be
think
innovate

GRUNDFOS 

English (GB) Installation and operating instructions

Original installation and operating instructions.

These installation and operating instructions describe Grundfos Sololift D-2.

Sections 1-3 give the information necessary to be able to unpack, install and start up the product in a safe way.

Sections 4-8 give important information about the product, as well as information on service, fault finding and disposal of the product.

CONTENTS

	Page
1. General information	2
1.1 Symbols used in this document	2
2. Receiving the product	3
2.1 Transporting the product	3
3. Installing the product	3
3.1 Mechanical installation	3
3.2 Electrical connection	3
4. Product introduction	4
4.1 Product description	4
4.2 Intended use	4
4.3 Pumped liquids	4
5. Servicing the product	4
5.1 Service documentation	4
5.2 Maintenance	4
5.3 Service instructions	5
6. Fault finding the product	6
7. Technical data	7
8. Disposal of the product	7



Read this document before installing the product. Installation and operation must comply with local regulations and accepted codes of good practice.

This appliance can be used by children aged from 8 years and above and persons with reduced physical, sensory or mental capabilities or lack of experience and knowledge if they have been given supervision or instruction concerning use of the appliance in a safe way and understand the hazards involved.

Children shall not play with the appliance. Cleaning and user maintenance shall not be made by children without supervision.



1. General information

1.1 Symbols used in this document

1.1.1 Warnings against hazards involving risk of death or personal injury



DANGER

Indicates a hazardous situation which, if not avoided, will result in death or serious personal injury.



WARNING

Indicates a hazardous situation which, if not avoided, could result in death or serious personal injury.



CAUTION

Indicates a hazardous situation which, if not avoided, could result in minor or moderate personal injury.

1.1.2 Other important notes



If these instructions are not observed, it may result in malfunction or damage to the equipment.



A blue or grey circle with a white graphical symbol indicates that an action must be taken.



A red or grey circle with a diagonal bar, possibly with a black graphical symbol, indicates that an action must not be taken or must be stopped.



Tips and advice that make the work easier.

2. Receiving the product

2.1 Transporting the product

WARNING



Crushing hazard

Death or serious personal injury
- Stack maximum two pallets together under transportation.

3. Installing the product



Installation must be carried out by specially trained persons and according to local regulations.



Do not pull or lift the product by the power supply cable.

3.1 Mechanical installation

The product must be accessible for maintenance and repair.

The product must be placed in a frost-free room to prevent the pumped liquid from freezing.

Make sure that all external pipes are adequately insulated.

The outlet pipe must be made of rigid material, such as copper, or of rigid PVC with solvent-welded joints.

To prevent the transmission of vibrations to buildings, make sure that the pipes are thoroughly fixed and that fittings cannot move and are not in contact with building parts.

3.2 Electrical connection

DANGER

Electric shock

Death or serious personal injury
- The protective earth (PE) of the power outlet must be connected to the protective earth of the product. The plug must have the same PE connection system as the power outlet.



DANGER

Electric shock

Death or serious personal injury
- The installation must be fitted with a residual current device (RCD) with a tripping current less than 30 mA.



DANGER

Electric shock

Death or serious personal injury
- The product must be connected to an external main switch with a minimum contact gap of 3 mm (0.12 inch) in all poles.



Electrical connection must be carried out by an authorized electrician.

Make sure that the product is suitable for the supply voltage and frequency available at the installation site.

The thermal switch cuts out the motor in case of overheating and cuts it in again automatically after cooling.

4. Product introduction

4.1 Product description

The D-2 is a small, compact automatic lifting station suitable for pumping grey wastewater off places where it cannot be led directly to the sewer by means of a natural downward slope.

If you are away for a long period (e.g. holidays) we recommend that you turn off the water supply to the units served by the lifting station.

4.2 Intended use

The product is suitable for pumping grey wastewater from showers, bidets and sinks.



The product is only suitable for domestic use.



The product must be fastened to the floor to prevent uplift and turning.

4.3 Pumped liquids

Grey wastewater up to 50 °C.

Ordinary liquids for cleaning of the appliances connected. pH value: 4-10.



The product must not pump harsh chemicals or solvents. See the quick guide.

5. Servicing the product

Always use original accessories from Grundfos to ensure safe and reliable operation.

WARNING

Electric shock



Death or serious personal injury

- Before starting any work on the product, make sure that the power supply has been switched off and that it cannot be accidentally switched on.



Maintenance and service must be carried out by specially trained persons and according to local regulations.



If the power supply cable is damaged, it must be replaced by the manufacturer, the manufacturer's service partner or similarly qualified person.

For service kits, see www.product-selection.grundfos.com.



The product must be thoroughly cleaned before it is returned for service. Otherwise, the warranty will be void.

5.1 Service documentation

Service documentation is available on www.product-selection.grundfos.com.

If you have any questions, please contact the nearest Grundfos company or service workshop.

5.2 Maintenance

The lifting station does not require any special maintenance, but we recommend that you check operation and pipe connections at least once a year.

Change the carbon filter once a year. See section [5.3 Service instructions](#).

5.3 Service instructions

Thanks to the product design, service is easy in case of malfunction or a blocked pump.

Impeller stuck

1. Disconnect the power supply.
2. Unscrew the cover.
3. Turn the motor shaft to the right and left with a screwdriver inserted into the slot in the shaft end to free the impeller from dirt.
4. Fit the cover, and switch on the power supply to check if the impeller can rotate freely.

Operation by means of a power drill

If the product cannot be operated by electrical power, disconnect the power supply and empty the tank by means of a power drill.

Foreign body in the tank

1. If the water level in the tank is above the motor flange, disconnect the power supply and drain the tank by means of the drain hose.
2. Unscrew the cover.
3. Remove the four screws of the motor flange.
4. Lift the motor flange to reduce the compression of the O-ring. Insert a screwdriver into the notch underneath the power supply cable and press it down.
5. Lift out the complete motor-pump unit by the handles.



Lift the unit vertically before tilting it!

6. Check and clean the tank and impeller. Check that the pressure switch works properly (press diaphragm carefully) before fitting the cover.

Pressure switch stuck

The pressure switch unit can be removed separately.

1. If the water level in the tank is above the motor flange, disconnect the power supply and drain the tank by means of the drain hose. See image 3.1 in the appendix.
2. Unscrew the cover. Turn the bayonet coupling 10 ° clockwise. Pull out the complete pressure switch.
3. Check and clean the diaphragm of the pressure switch. Check that the pressure switch works properly (press diaphragm carefully) before fitting the cover.
4. Lubricate the O-ring seat of the pressure switch in the motor flange for easier fitting.

Carbon filter

Replace the carbon filter once a year to ensure sufficient filter function.



Instead of using a carbon filter, Sololift can also be vented through a venting pipe. In this case, a venting valve is needed. Product number: 98059587.

6. Fault finding the product

WARNING

Electric shock



Death or serious personal injury

- Before starting any work on the product, make sure that the power supply has been switched off and that it cannot be accidentally switched on.

See also section [5.3 Service instructions](#).

Fault	Cause	Remedy
1. The motor does not start when the level in the tank reaches the start level.	a) Supply failure.	Reestablish the power supply.
	b) A fuse is blown. If a new fuse blows at once, either the cable or motor is faulty.	Replace the fuse. Measure the cable and motor. If the cable or motor is defective, replace the defective parts.
	c) The impeller is stuck. The thermal switch has tripped.	Free the impeller, and wait until the motor is cooled down and the thermal switch has reset.
	d) The pressure switch is stuck.	Clean and free the pressure switch.
2. The motor hums but does not operate.	a) The impeller is stuck.	Free the impeller and check that it can rotate freely.
	b) The motor or capacitor is defective.	Replace the motor or capacitor.
3. The motor runs continuously or at irregular intervals.	a) Water is leaking from the inlet into the tank.	Check for leaking appliances.
	b) Water is leaking back into the tank from the outlet pipe.	Check the non-return flap.
	c) The pressure switch is defective.	Replace the pressure switch unit.
4. The pump runs but does not deliver the rated flow rate.	a) The pump or tank is blocked.	Remove the blockage.
	b) There is an air pocket in the pump or the vent hole in the pump housing is blocked.	Check operation of vent valve in the tank. Check that the carbon filter is not wet. Check that the vent hole in the pump housing is not blocked.
	c) The outlet port or pipe is blocked.	Remove the blockage. Check the non-return flap.
5. The lifting station evacuates slowly.	a) The outlet pipe is too long or has an excessive number of bends.	Increase the outlet pipe size (maximum 32 mm). Change pipes to reduce the number of bends. Change bends to soft bends.
	b) The pump housing is leaky.	Replace the pump housing (service part).
	c) The hydraulics are blocked.	Check that the motor shaft can rotate freely. Remove the motor flange to clean the impeller.
6. Rattling noise from the lifting station, but water is evacuated.	a) A foreign body is hitting the impeller.	Remove the foreign body.
7. Odour from the tank.	a) The carbon filter is contaminated.	Replace the carbon filter.

Fault	Cause	Remedy
8. Water from the shower or another appliance connected to the lower inlets drains off slowly. Backflow from the lifting station.	a) The hydraulics are blocked.	Check that the motor shaft can rotate freely. Remove the motor flange to clean the impeller.
	b) The start level has changed.	Check the pressure switch.
	c) The inlet pipe diameter is too small.	Use a pipe with a larger diameter.

7. Technical data

Supply voltage

1 x 220-240 V - 10 %/+ 6 %, 50 Hz.

Power consumption

280 W.

Power factor

Cos φ 0.90 / 0.95.

Speed

2800 min⁻¹.

Rated current

1.3 A.

Insulation class

F.

Noise level

< 70 dB(A) to 12050-2.

Flow rate

Maximum 119 l/min.

System pressure

Maximum pump head: 5.5 m.

Maximum system head: 4.5 m.



The system pressure must not exceed 4.5 m head to guarantee a sufficient drain of the connected sanitary appliances.

Supply cable

1.2 m, 0.75 mm² (H05VV-F-3G).

Net weight

4.3 kg.

Start and stop levels

Start level: 58 mm above bottom.

Stop level: 35 mm above bottom.

Liquid temperature

50 °C.

Ambient temperature

+5 °C to +35 °C.

Duty

S3 - 50 % - 1 min. (30 seconds on; 30 seconds off).

Marking



Approvals



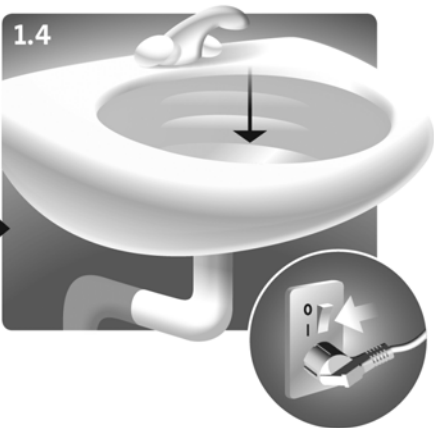
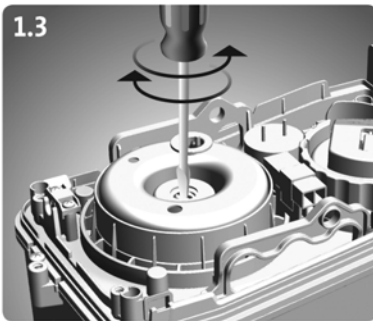
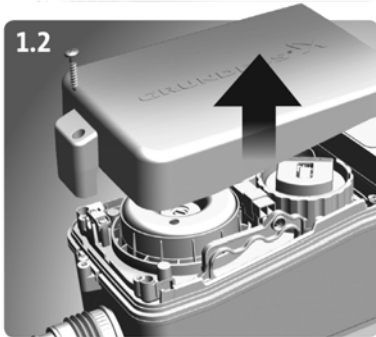
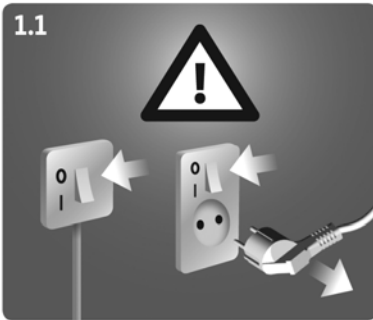
8. Disposal of the product

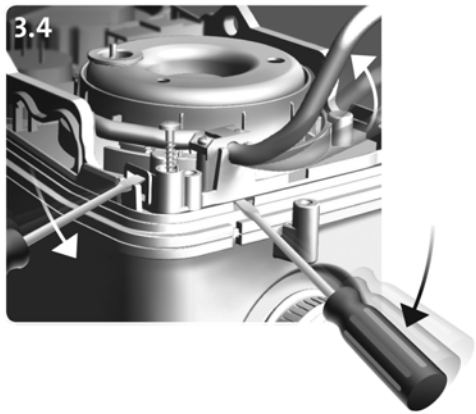
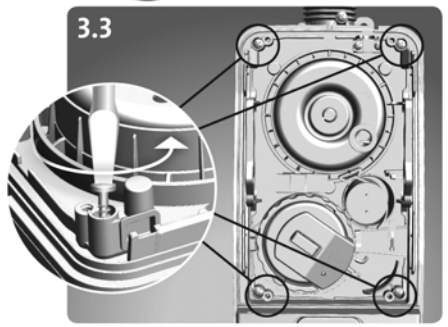
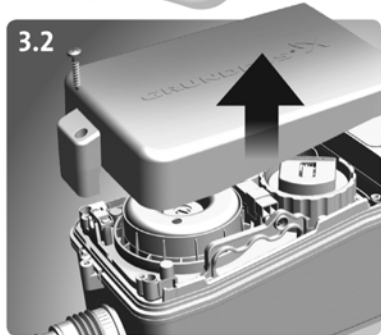
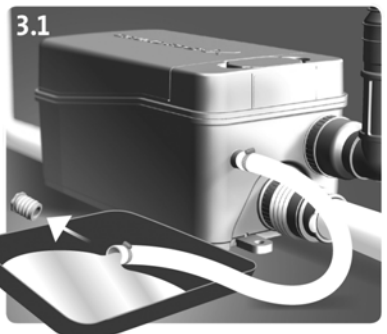
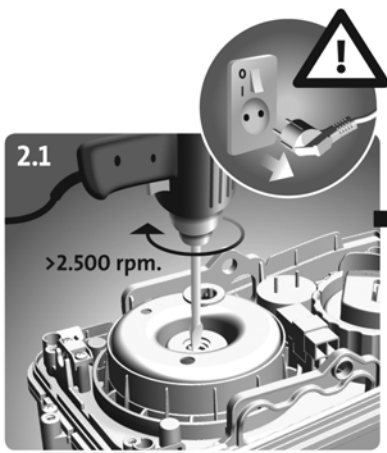
This product or parts of it must be disposed of in an environmentally sound way:

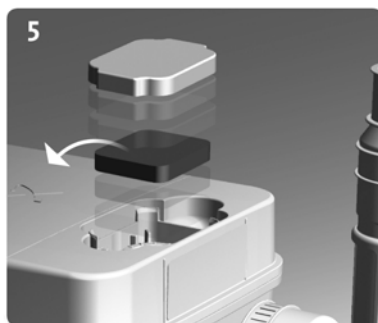
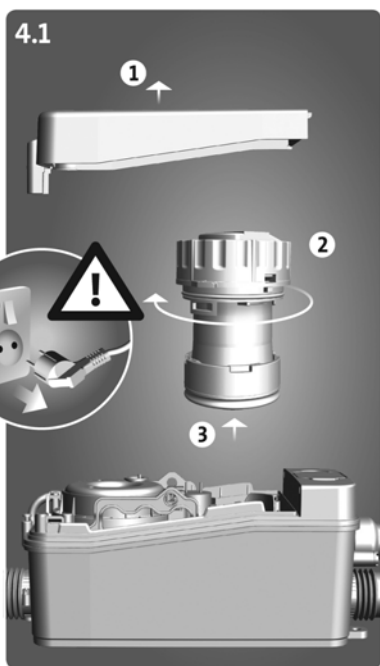
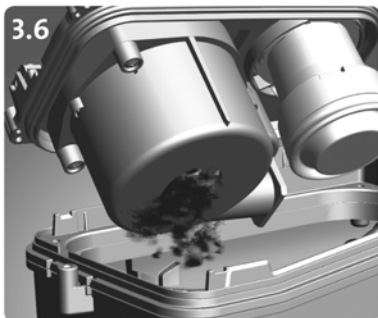
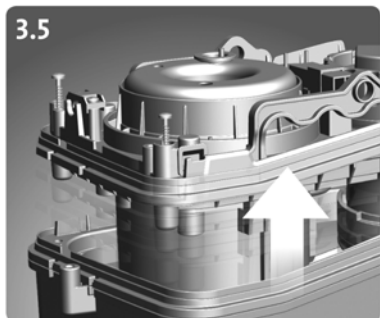
1. Use the public or private waste collection service.
2. If this is not possible, contact the nearest Grundfos company or service workshop.



The crossed-out wheeled bin symbol on a product means that it must be disposed of separately from household waste. When a product marked with this symbol reaches its end of life, take it to a collection point designated by the local waste disposal authorities. The separate collection and recycling of such products will help protect the environment and human health.







Argentina

Bombas GRUNDFOS de Argentina S.A.
Ruta Panamericana km. 37.500 Centro
Industrial Garin
1619 Garin Pcia. de B.A.
Phone: +54-3327 414 444
Telefax: +54-3327 45 3190

Australia

GRUNDFOS Pumps Pty. Ltd.
P.O. Box 2040
Regency Park
South Australia 5942
Phone: +61-8-8461-4611
Telefax: +61-8-8340 0155

Austria

GRUNDFOS Pumpen Vertrieb
Ges.m.b.H.
Grundfosstraße 2
A-5082 Grödig/Salzburg
Tel.: +43-6246-883-0
Telefax: +43-6246-883-30

Belgium

N.V. GRUNDFOS Bellux S.A.
Boomsesteenweg 81-83
B-2630 Aartselaar
Tél.: +32-3-870 7300
Télécopie: +32-3-870 7301

Belarus

Представительство ГРУНДФОС в
Минске
220125, Минск
ул. Шафарнянская, 11, оф. 56, БЦ
«Порт»
Тел.: +7 (375 17) 286 39 72/73
Факс: +7 (375 17) 286 39 71
E-mail: minsk@grundfos.com

Bosnia and Herzegovina

GRUNDFOS Sarajevo
Zmaj od Bosne 7-7A,
BH-71000 Sarajevo
Phone: +387 33 592 480
Telefax: +387 33 590 465
www.ba.grundfos.com
e-mail: grundfos@bih.net.ba

Brazil

BOMBAS GRUNDFOS DO BRASIL
Av. Humberto de Alencar Castelo
Branco, 630
CEP 09850 - 300
São Bernardo do Campo - SP
Phone: +55-11 4393 5533
Telefax: +55-11 4343 5015

Bulgaria

Grundfos Bulgaria EOOD
Slatina District
Iztochna Tangenta street no. 100
BG - 1592 Sofia
Tel. +359 2 49 22 200
Fax. +359 2 49 22 201
email: bulgaria@grundfos.bg

Canada

GRUNDFOS Canada Inc.
2941 Brighton Road
Oakville, Ontario
L6H 6C9
Phone: +1-905 829 9533
Telefax: +1-905 829 9512

China

GRUNDFOS Pumps (Shanghai) Co. Ltd.
10F The Hub, No. 33 Suhong Road
Minhang District
Shanghai 201106
PRC
Phone: +86 21 612 252 22
Telefax: +86 21 612 253 33

COLOMBIA

GRUNDFOS Colombia S.A.S.
Km 1.5 vía Siberia-Cota Conj. Potrero
Chico,
Parque Empresarial Arcos de Cota Bod.
1A.
Cota, Cundinamarca
Phone: +57(1)-2913444
Telefax: +57(1)-8764586

Croatia

GRUNDFOS CROATIA d.o.o.
Buzinski prilaz 38, Buzin
HR-10010 Zagreb
Phone: +385 1 6595 400
Telefax: +385 1 6595 499
www.hr.grundfos.com

GRUNDFOS Sales Czechia and Slovakia s.r.o.

Čajkovského 21
779 00 Olomouc
Phone: +420-585-716 111

Denmark

GRUNDFOS DK A/S
Martin Bachs Vej 3
DK-8850 Bjerringbro
Tlf.: +45-87 50 50 50
Telefax: +45-87 50 51 51
E-mail: info_GDK@grundfos.com
www.grundfos.com/DK

Estonia

GRUNDFOS Pumps Eesti OÜ
Peterburi tee 92G
11415 Tallinn
Tel: + 372 606 1690
Fax: + 372 606 1691

Finland

OY GRUNDFOS Pumput AB
Trukkikuja 1
FI-01360 Vantaa
Phone: +358-(0) 207 889 500

France

Pompes GRUNDFOS Distribution S.A.
Parc d'Activités de Chesnes
57, rue de Malacombe
F-38290 St. Quentin Fallavier (Lyon)
Tél.: +33-4 74 82 15 15
Télécopie: +33-4 74 94 10 51

Germany

GRUNDFOS GMBH
Schlüterstr. 33
40699 Erkrath
Tel.: +49-(0) 211 929 69-0
Telefax: +49-(0) 211 929 69-3799
e-mail: infoservice@grundfos.de
Service in Deutschland:
e-mail: kundendienst@grundfos.de

Greece

GRUNDFOS Hellas A.E.B.E.
20th km. Athinon-Markopoulou Av.
P.O. Box 71
GR-19002 Peania
Phone: +0030-210-66 83 400
Telefax: +0030-210-66 46 273

Hong Kong

GRUNDFOS Pumps (Hong Kong) Ltd.
Unit 1, Ground floor
Siu Wai Industrial Centre
29-33 Wing Hong Street &
68 King Lam Street, Cheung Sha Wan
Kowloon
Phone: +852-27861706 / 27861741
Telefax: +852-27858664

Hungary

GRUNDFOS Hungária Kft.
Tópark u. 8
H-2045 Törökbálint,
Phone: +36-23 511 110
Telefax: +36-23 511 111

India

GRUNDFOS Pumps India Private
Limited
118 Old Mahabalipuram Road
Thoraiakkam
Chennai 600 096
Phone: +91-44 2496 6800

Indonesia

PT. GRUNDFOS POMPA
Graha Intirub Lt. 2 & 3
Jln. Cililitan Besar No.454. Makasar,
Jakarta Timur
ID-Jakarta 13650
Phone: +62 21-469-51900
Telefax: +62 21-460 6910 / 460 6901

Ireland

GRUNDFOS (Ireland) Ltd.
Unit A, Merrywell Business Park
Ballymount Road Lower
Dublin 12
Phone: +353-1-4089 800
Telefax: +353-1-4089 830

Italy

GRUNDFOS Pompe Italia S.r.l.
Via Gran Sasso 4
I-20060 Truccazzano (Milano)
Tel.: +39-02-95838112
Telefax: +39-02-95309290 / 95838461

Japan

GRUNDFOS Pumps K.K.
1-2-3, Shin-Miyakoda, Kita-ku,
Hamamatsu
431-2103 Japan
Phone: +81 53 428 4760
Telefax: +81 53 428 5005

Korea

GRUNDFOS Pumps Korea Ltd.
679 Floor, Aju Building 679-5
Yeoksam-dong, Kangnam-ku, 135-916
Seoul, Korea
Phone: +82-2-5317 600
Telefax: +82-2-5633 725

Latvia

SIA GRUNDFOS Pumps Latvia
Deglava biznesa centrs
Augusta Deglava iela 60, LV-1035, Rīga,
Tālr.: + 371 714 9640, 7 149 641
Faks: + 371 914 9646

Lithuania

GRUNDFOS Pumps UAB
Smolensko g. 6
LT-03201 Vilnius
Tel: + 370 52 395 430
Fax: + 370 52 395 431

Malaysia

GRUNDFOS Pumps Sdn. Bhd.
7 Jalan Peguam U1/25
Glenmarie Industrial Park
40150 Shah Alam
Selangor
Phone: +60-3-5569 2922
Telefax: +60-3-5569 2866

Mexico

Bombas GRUNDFOS de México S.A. de
C.V.
Boulevard TLC No. 15
Parque Industrial Stiva Aeropuerto
Apodaca, N.L. 66600
Phone: +52-81-8144 4000
Telefax: +52-81-8144 4010

Netherlands

GRUNDFOS Netherlands
Veluwezoom 35
1326 AE Almere
Postbus 22015
1302 CA ALMERE
Tel.: +31-88-478 6336
Telefax: +31-88-478 6332
E-mail: info_gnl@grundfos.com

New Zealand

GRUNDFOS Pumps NZ Ltd.
17 Beatrice Tinsley Crescent
North Harbour Industrial Estate
Auckland
Phone: +64-9-415 3240
Telefax: +64-9-415 3250

Norway

GRUNDFOS Pumper A/S
Strømsveien 344
Postboks 235, Leirdal
N-1011 Oslo
Tlf.: +47-22 90 47 00
Telefax: +47-22 32 21 50

Poland

GRUNDFOS Pompy Sp. z o.o.
ul. Klonowa 23
Baranowo k. Poznania
PL-62-081 Przeźmierowo
Tel: (+48-61) 650 13 00
Fax: (+48-61) 650 13 50

Portugal

Bombas GRUNDFOS Portugal, S.A.
Rua Calvet de Magalhães, 241
Apartado 1079
P-2770-153 Paço de Arcos
Tel.: +351-21-440 76 00
Telefax: +351-21-440 76 90

Romania

GRUNDFOS Pompe România SRL
Bd. Biruintei, nr 103
Pantelimon county Ilfov
Phone: +40 21 200 4100
Telefax: +40 21 200 4101
E-mail: romania@grundfos.ro

Russia

ООО Грундфос Россия
ул. Школьная, 39-41
Москва, RU-109544, Russia
Тел. (+7) 495 564-88-00 (495)
737-30-00
Факс (+7) 495 564 8811
E-mail grundfos.moscow@grundfos.com

Serbia

Grundfos Srbija d.o.o.
Omladinskih brigada 90b
11070 Novi Beograd
Phone: +381 11 2258 740
Telefax: +381 11 2281 769
www.rs.grundfos.com

Singapore

GRUNDFOS (Singapore) Pte. Ltd.
25 Jalan Tukang
Singapore 619264
Phone: +65-6681 9688
Telefax: +65-6681 9689

Slovakia

GRUNDFOS s.r.o.
Prievozská 4D
821 09 BRATISLAVA
Phona: +421 2 5020 1426
sk.grundfos.com

Slovenia

GRUNDFOS LJUBLJANA, d.o.o.
Leskovoška 9e, 1122 Ljubljana
Phone: +386 (0) 1 568 06 10
Telefax: +386 (0) 1 568 06 19
E-mail: tehnika-si@grundfos.com

South Africa

Grundfos (PTY) Ltd.
16 Lascelles Drive, Meadowbrook Estate
1609 Germiston, Johannesburg
Tel.: (+27) 10 248 6000
Fax: (+27) 10 248 6002
E-mail: lgradidge@grundfos.com

Spain

Bombas GRUNDFOS España S.A.
Camino de la Fuentesilla, s/n
E-28110 Algete (Madrid)
Tel.: +34-91-848 8800
Telefax: +34-91-628 0465

Sweden

GRUNDFOS AB
Box 333 (Lunnagårdsgatan 6)
431 24 Mölndal
Tel.: +46 31 332 23 000
Telefax: +46 31 331 94 60

Switzerland

GRUNDFOS Pumpen AG
Bruggacherstrasse 10
CH-8117 Fällanden/ZH
Tel.: +41-44-806 8111
Telefax: +41-44-806 8115

Taiwan

GRUNDFOS Pumps (Taiwan) Ltd.
7 Floor, 219 Min-Chuan Road
Taichung, Taiwan, R.O.C.
Phone: +886-4-2305 0868
Telefax: +886-4-2305 0878

Thailand

GRUNDFOS (Thailand) Ltd.
92 Chaloeem Phrakiat Rama 9 Road,
Dokmai, Pravej, Bangkok 10250
Phone: +66-2-725 8999
Telefax: +66-2-725 8998

Turkey

GRUNDFOS POMPA San. ve Tic. Ltd.
Sti.
Gebze Organize Sanayi Bölgesi
İhsan dede Caddesi,
2. yol 200. Sokak No. 204
41490 Gebze/ Kocaeli
Phone: +90 - 262-679 7979
Telefax: +90 - 262-679 7905
E-mail: satis@grundfos.com

Ukraine

Бізнес Центр Європа
Столичне шосе, 103
м. Київ, 03131, Україна
Телефон: (+38 044) 237 04 00
Факс.: (+38 044) 237 04 01
E-mail: ukraine@grundfos.com

United Arab Emirates

GRUNDFOS Gulf Distribution
P.O. Box 16768
Jebel Ali Free Zone
Dubai
Phone: +971 4 8815 166
Telefax: +971 4 8815 136

United Kingdom

GRUNDFOS Pumps Ltd.
Grovebury Road
Leighton Buzzard/Beds. LU7 4TL
Phone: +44-1525-850000
Telefax: +44-1525-850011

U.S.A.

GRUNDFOS Pumps Corporation
9300 Loiret Blvd.
Lenexa, Kansas 66219
Phone: +1-913-227-3400
Telefax: +1-913-227-3500

Uzbekistan

Grundfos Tashkent, Uzbekistan The
Representative Office of Grundfos
Kazakhstan in Uzbekistan
38a, Oybek street, Tashkent
Телефон: (+998) 71 150 3290 / 71 150
3291
Факс: (+998) 71 150 3292

Addresses Revised 15.01.2019

97781574 0219

ECM: 1253317

Trademarks displayed in this material, including but not limited to Grundfos, the Grundfos logo and "be think innovate" are registered trademarks owned by The Grundfos Group. All rights reserved. © 2019 Grundfos Holding A/S, all rights reserved.