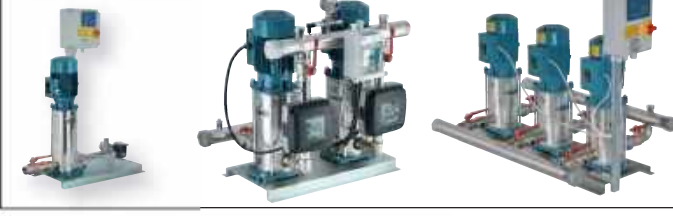





BS

Fixed speed pump units

Variable speed pump units with frequency converter



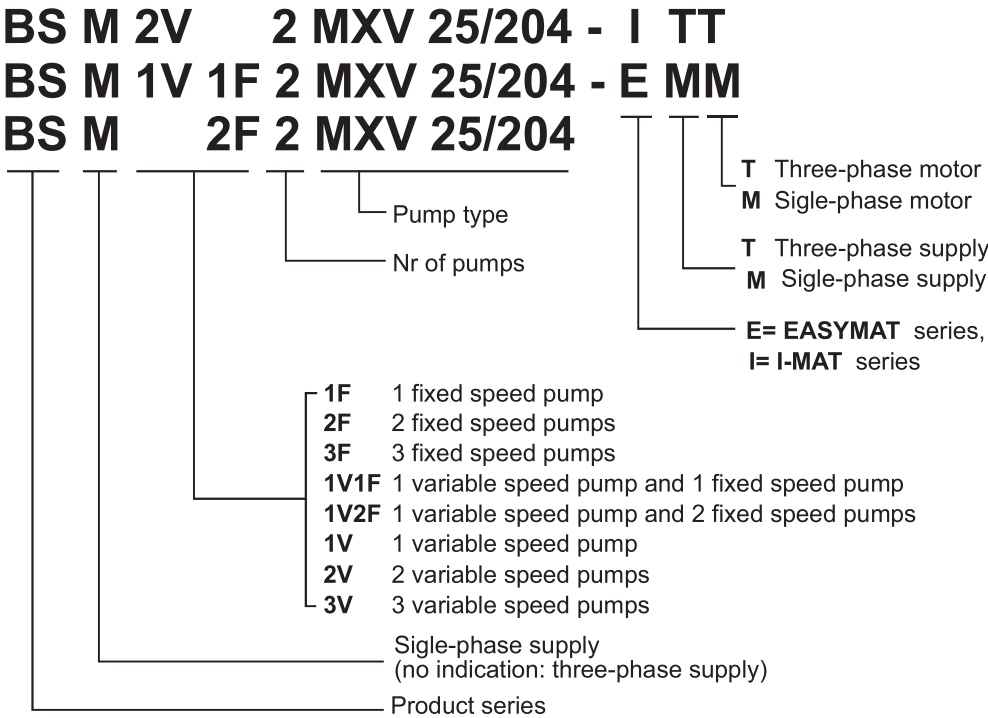
	<p>Pressure boosting sets with NM, NMD pag. 497</p> <p>BS .F fixed speed 1/3 pumps</p> <p>BS1V.F, BS.V variable speed with (frequency converter into the control panel) 1/3 pumps</p> <p>variable speed with I-MAT 2/3 pumps</p>
	<p>Pressure boosting sets with MXH pag. 515</p> <p>BS .F fixed speed 1/3 pumps</p> <p>BS1V.F, BS.V variable speed with (frequency converter into the control panel) 1/3 pumps</p> <p>variable speed with EASYMAT 1/3 pumps</p> <p>variable speed with I-MAT 2/3 pumps</p>
	<p>Pressure boosting sets with MGP, MXP pag. 527</p> <p>BS .F fixed speed 2 pumps</p> <p>BS1V.F, BS.V variable speed with (frequency converter into the control panel) 2 pumps</p> <p>variable speed with EASYMAT 1/3 pumps</p>
	<p>Pressure boosting sets with MPSU pag. 536</p> <p>BS .F fixed speed 1/3 pumps</p> <p>BS1V.F, BS.V variable speed with (frequency converter into the control panel) 1/3 pumps</p> <p>variable speed with EASYMAT 1/3 pumps</p>
	<p>Pressure boosting sets with MXVB pag. 543</p> <p>BS .F fixed speed 1/3 pumps</p> <p>BS1V.F, BS.V variable speed with (frequency converter into the control panel) 1/3 pumps</p> <p>variable speed with EASYMAT 1/3 pumps</p> <p>variable speed with I-MAT 2/3 pumps</p>
	<p>Pressure boosting sets with MXV pag. 556</p> <p>BS .F fixed speed 1/3 pumps</p> <p>BS1V.F, BS.V variable speed with (frequency converter into the control panel) 1/3 pumps</p> <p>variable speed with I-MAT 2/3 pumps</p>
	<p>Pressure boosting sets with NG, NGL, NGX pag. 572</p> <p>BS .F fixed speed 2 pumps</p>
	<p>Pressure boosting sets with 4SDF pag. 576</p> <p>BS .V variable speed with EASYMAT 1 pump</p>

TO SELECT A PRESSURE BOOSTING SET page 616

Pressure Boosting Sets



Designation

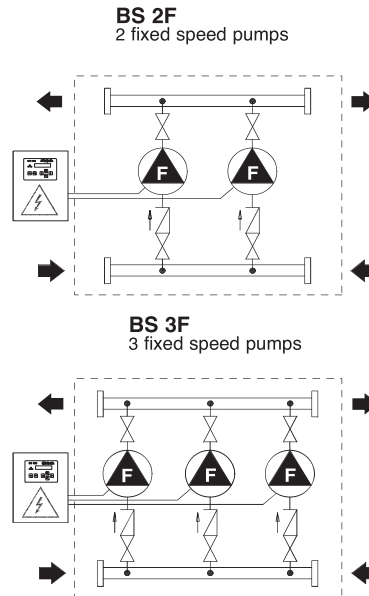


To select a Pressure Boosting Set see technical appendix at page 616.
For booster sets with 4, 5 and 6 pumps contact our Technical Sales Department.

BSF with 2 and 3 fixed speed pumps

Construction

Pressure boosting sets with automatic operation, consisting in 2 and 3 pumps on a common baseplate, with suction and delivery manifolds, gate and non-return valves, pressure switches, pressure gauge, control panel and from 100 to 1000 litres diaphragm tank (on request).

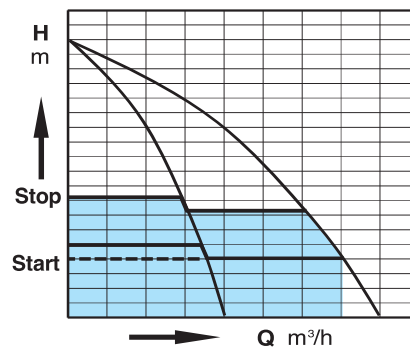


Operation

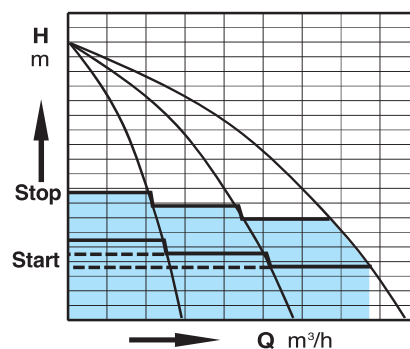
The control panel, with electronic card, manages the pump operation, the changeover of pump starting sequence and it stops the system when there is no air in the tank (patented system).

Pumps starting in a cascade sequence, with a signal from the pressure switches.

BS 2F
2 fixed speed pumps



BS 3F
3 fixed speed pumps

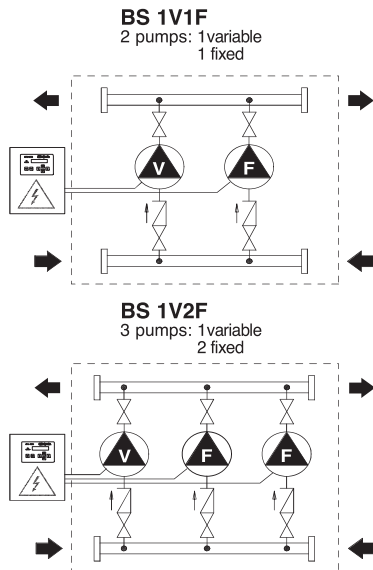


BSV.F.

1 variable speed pump (with frequency converter)
1 to 5 fixed speed pumps

Construction

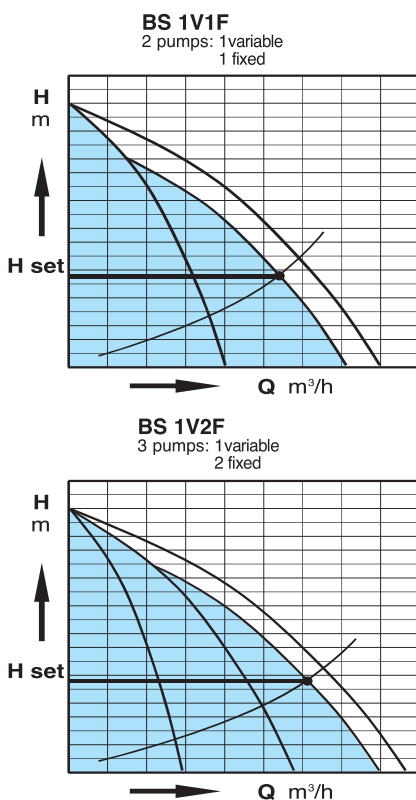
Pressure boosting sets with automatic operation, consisting of 1 variable speed pump with frequency converter and from 1 to 5 fixed speed pumps, assembled on a common baseplate, with suction and delivery manifolds, gate and non-return valves, pressure gauge, control panel and 20 litres diaphragm tank (on request).



Operation

The control panel, with electronic card, manages the pump operation, the changeover of fixed speed pumps starting sequence. Pumps starting is in a cascade sequence, with a signal from the pressure transducer.

Constant pressure is guaranteed by the variable speed pumps, while fixed speed pumps start when the request is higher than the capacity of the variable speed pump.

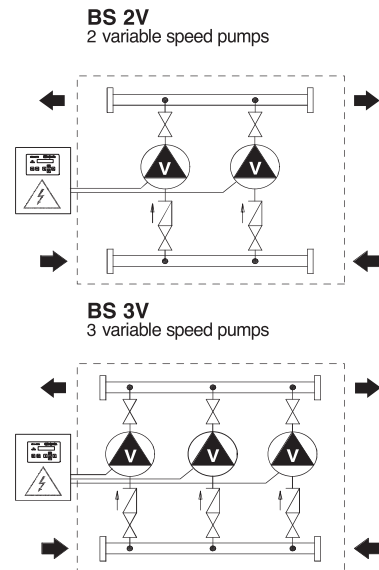


BSV

2-6 variable speed pumps (with frequency converter)

Construction

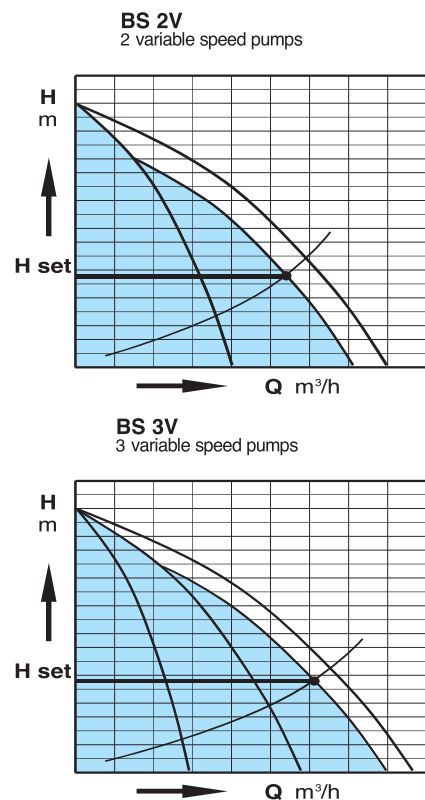
Pressure boosting sets with automatic operation, consisting of variable speed pumps (from 1 to 6) with frequency converter, assembled on a common baseplate, with suction and delivery manifolds, gate and non-return valves, pressure transducer, pressure gauge, control panel and 20 litres diaphragm tank (on request).



Operation

The control panel, with electronic card, manages the pump operation, the changeover of pumps starting sequence.

Pumps starting in a cascade sequence, with a signal from the pressure transducer.



Fixed speed pump units

New electrical control panels for fixed speed pump units.

New electrical control panels for pressurisation units, all with electronic card with microprocessors, for managing pump operation.

The microprocessor carries out continuous secure checks during all the various work phases of the pumps and incorporates all necessary functions, thus reducing electrical and electronic components inside the panel.

In particular:

- pumps starting in a cascade sequence according to water demand.
- changeover of pump starting sequence.
- delay start-up of the 2nd/3rd pump in case of breakdown of pressure switch 1 or after a power cut.
- avoid pump starting in case of water hammering.
- activate the alarm when pressure 1 fails.
- activate the alarm when air cushion in the vessel drops.
- stop the pump when air cushion is over.

Maximum clarity for all signals

The status of the unit can easily be identified on the front of the electronic card with the following signals:

- Power on.
- No water.
- Failure.
- Pump running.
- Thermal block.
- Pump automatic operation.
- Pump stop.

Maximum simplicity of control

The front of electronic card features the following signals and controls:

- AUT-STOP push-button (1 for each pump)
- MAN push-button (1 for each pump)
- RESET push-button.

Optional remote control

The RA 100 panel enables a remote warning light and acoustic signal.

Control panel for units up to 6 pumps

Using the MPS 6000 (Multi Pumps System) electronic card it is possible to control pressure units up to a maximum of 6 fixed speed pumps with a single pressure calibration.

Automatic air supply systems

The pump control panels are completed by microprocessor controlled systems for automatic air supply in the pressure vessels by means of a compressor or solenoid valve.

Operation

For booster sets made up to three pumps: according to the pressure decrease in the system, the pressure switches make the pumps to start in cascade mode and the starting changeover is made by the microprocessor.

For sets made of 4, 5, 6 pumps: Operation controlled by a microprocessor with signal from a pressure transducer. The pumps operate with only one pressure setting.



Pressure Boosting Sets



Variable speed pump units with frequency converter

New electrical control panels for variable speed pump units.

New electrical control panels for pressurisation units with variable speed pumps.

These are indispensable in all those cases where constant pressure is required and when high pressure pumps are being controlled.

All the various working phases are managed and controlled by the MPS 4000 (Multi Pumps System) electronic card with microprocessor, which can operate up to 6 pumps working simultaneously.

Maximum clarity of signals

All the various calibration parameters appear as messages on the display of the MPS 4000 electronic card.

If there are any faults or defects a message appears on the display giving details of the problem.

Possibility of remote control

The pump status can be displayed and the unit can be controlled by means of a special computer program.

It is possible to obtain a remote warning light and acoustic signal on the RA 100 panel.

Constant or increased pressure

All the pumps can work with the same pressure value (set point), or, for systems with high head losses, the pressure can be increased depending on the number of pumps operating.

Silent operation

Motors working at reduced speed and check valves that close gradually mean that operation is particularly quiet.

Long life for pumps

All the mechanical components of the pumps and motors are stressed to a minimum, due to the variable speed operation.

Energy savings

The motors consume only the precise level of power necessary moment to moment, in order to supply the quantity of water required by the system.

No more high capacity vessels

The use of inverters means that high capacity pressure vessels and membrane vessels are no longer necessary. Even units with high flowrate pumps only require a small number of 20 litre membrane vessels.

Great versatility

The great versatility of the MPS 4000 electronic card enables the construction of special units with operational logics different from those of normal pressurisation units, depending on the requirements and characteristics of the systems.

Operation

Depending on water consumption, one or more pumps are activated, all at variable speed, in order to guarantee the quantity of water required at the set pressure.



Pressure Boosting Sets



Variable speed pump units with EASYMAT

EASYMAT

for variable speed pump units.

Variable speed system driven by frequency converter, for the pressure control in domestic and residential plants.

The system maintains constant pressure whilst controlling the pump operation against changing system demand.

Maximum clarity of signals

Easymat is equipped with a control panel for simple system programming and parameter monitoring.

The **2 scroll buttons** are used to scroll the different operating parameters that EASYMAT can show.

At the same time you can use the 2 scroll buttons to move in the set up menu and to change the different options.

The LCD custom display gives an easy overview of the system situation and of the operating parameters.

The icons on the top and below the display area explain in which way EASYMAT is working and if there are problems on the system.

The four set-up buttons allow the operator to move between and set-up the menu's and to start and stop the pump. The symbols help to make the function of each button clear.

With **these 4 buttons and the 2 scroll buttons** you can manage all the set-up and operating parameters without the use of an other control panel or computer



Operation

Depending on water consumption, one or more pumps are activated, all at variable speed, in order to guarantee the quantity of water required at the set pressure.



CONSTANT PRESSURE MODE:

The system keeps the pressure constant when the quantity of water requested by the user changes. The user can choose the operating pressure according his needs.



FIXED SPEED MODE:

The system works at a fixed speed that user can choose according his needs.

The system is connected to the delivery pipe providing for simple installation and better cooling (patented) making the unit more compact and easy to assemble.

Easymat is supplied with one pressure transducer, G 1/4 connection and 1.5 m cable length.

For protection of the pumps:

- Against dry running
- Against operations with closed connection ports
- Against overcurrent of the motor
- Against overvoltage and undervoltage of the power supply

Silent operation

Motors working at reduced speed and check valves that close gradually mean that operation is particularly quite.

Long life for pumps

All the mechanical components of the pumps and motors are stressed to a minimum, due to the variable speed operation.

Energy savings

The motors consume only the precise level of power necessary moment to moment, in order to supply the quantity of water required by the system.

No more high capacity vessels

The use of inverters means that high capacity pressure vessels and membrane vessels are no longer necessary. Even units with high flowrate pumps only require a small number of 20 litre membrane vessels.

Pressure Boosting Sets



Variable speed pump units with I-MAT

I-MAT for variable speed pump units.

Variable speed system driven by frequency converter, for the pressure control in domestic and residential plants.

The system maintains constant pressure whilst the controlling the pump operation against changing system demand.

Maximum clarity of signals

I-MAT is equipped with a control panel that allows to carry out the set-up of the system and to monitor all system parameters. The control panel is inside a IP55 enclosure which is possible to rotate and install in remote positions.

It is possible use the control panel in remote positions by means a cable with M12 connectors (standard cable).

The LCD custom display gives an easy overview of the system situation and of the operating parameters.

The icons on the top and below the display area explain in which way I-MAT is working and if there are some problems on the system.

The 2 scroll buttons are used to scroll the different operating parameters that I-MAT can show. At the same time you can use the 2 scroll buttons to move in the set up menu and to change the different options.

The 4 set-up buttons are created to enter and to move on the set-up menus and to start and to stop the pump. The symbols help to understand the function of each button. With these 4 buttons and the 2 scroll buttons you can manage all the set-up and operating parameters without the use of another control panel or computers.



Operation

Depending on water consumption, one or more pumps are activated, all at variable speed, in order to guarantee the quantity of water required at the set pressure.



Constant pressure mode

Constant pressure keeps the pressure constant at a fixed value set by the user. This value of pressure is automatically kept by the system to provide to the final user a constant pressure even with different water demand, within the maximum performance of the motor-pump system.



Proportional pressure modes

Proportional pressure reduces the pressure of the pump (and as a consequence, the operating frequency) proportionally with the water demand of the system.



Constant temperature mode

In this operating mode the system is used to keep the temperature at a constant value in a specified system point.



Constant flow mode

Constant flow mode grants that system change the speed of the pump in order to keep constant the flow which pass inside a flow meter.



Fixed speed mode

In this operating mode the system work as a fixed speed pump. The speed of the pump could be set by the user between a range of speeds, or controlled by an external signal.



Night mode

The night mode is an optional mode which allows to reduce the speed of the pump if the temperature in the system decreases below a set value, this operating mode can be used with all operating modes over described.

Silent operation

Motors working at reduced speed and check valves that close gradually mean that operation is particularly quite.

Long life for pumps

All the mechanical components of the pumps and motors are stressed to a minimum, due to the variable speed operation.

Energy savings

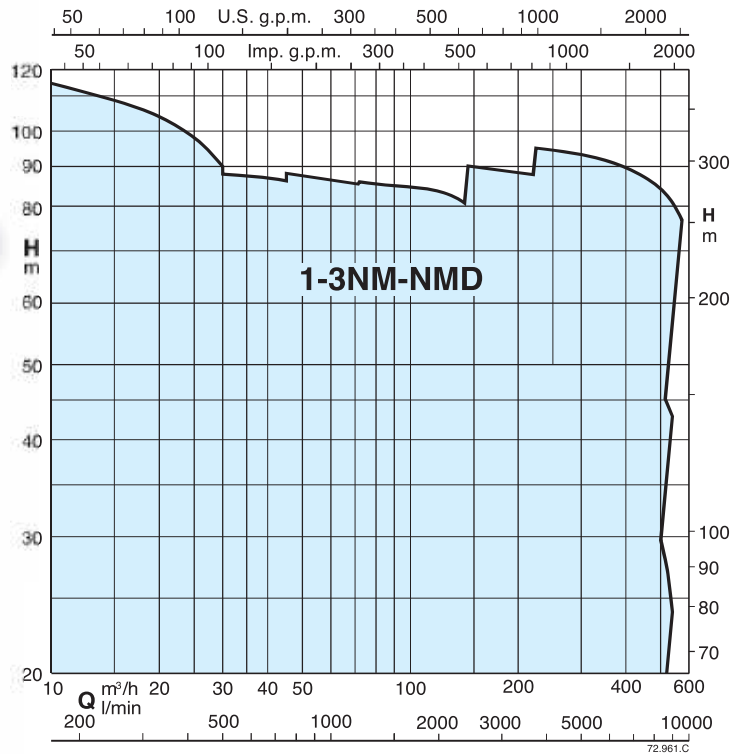
The motors consume only the precise level of power necessary moment to moment, in order to supply the quantity of water required by the system.

No more high capacity vessels

The use of inverters means that high capacity pressure vessels and membrane vessels are no longer necessary. Even units with high flowrate pumps only require a small number of 20 litre membrane vessels.



Coverage chart



Operation

BS 1-6F Pressure boosting sets with 1 to 6 fixed speed pump. Sets with 4,5 and 6 pumps on request. Depending on the reduction of the pressure in the system, the pressure switches determine the starting up of the pumps in sequence and the microprocessor alternates the starts.

BS2-3V Pressure boosting sets with 2 to 3 variable speed pumps (with I-MAT). Depending on water consumption, one or more pumps are activated, all at variable speed, in order to guarantee the quantity of water required at the set pressure.

BS1V2-5F Pressure boosting sets with 1 variable speed pump (with frequency converter into the control panel) and from 1 to 5 fixed speed pumps. Sets with 4,5 and 6 pumps on request. According to the water consumption, one or more pumps start, one at variable speed and the others at fixed speed, to grant the water quantity required at the set pressure.

BS1-6V Pressure boosting sets with 1 to 6 variable speed pumps (with frequency converter into the control panel). Sets with 4,5 and 6 pumps on request. Depending on water consumption, one or more pumps are activated, all at variable speed, in order to guarantee the quantity of water required at the set pressure.

Construction

- Automatic pressure boosting plant consisting of 1 to 6 centrifugal pumps complete with ball, non return valve on the suction side and ball valves on the delivery side.

Suction and delivery manifolds for boosting sets with 2,3 pumps:

- stainless steel AISI 304 up to 2NM 40.. and 3NM 32...
- steel S235JR from 2NM 50.. and 3NM 40...

Connections are located on the delivery manifold for the installation of vessels G1 connection.

Electrical control boards:

- with microprocessor for fixed speed pump units. Motor starting is D.O.L. up to 5,5 kW and Y/Δ for power rating 7,5 up to 55 kW.
- with frequency converter for variable speed pump units.

The unit includes one pressure gauge and three adjustable differential pressure switches or pressure transducer.

Applications

To supply water in civil and industrial buildings. As pressure boosting pump to increase water pressure when needed (follow local rules).

Motors

2-pole induction motors, 50 Hz, n ≈ 2900 rpm, suitable for operation with frequency converter.

- Three-phase 230/400V ± 10% up to 3 kW;
- 400/690V ± 10% for 4 kW to 55 kW;

Insulation class F.

Protection IP 54.

Constructed in accordance with: IEC 60034.

Other voltages and frequencies on request.

Vessels on request

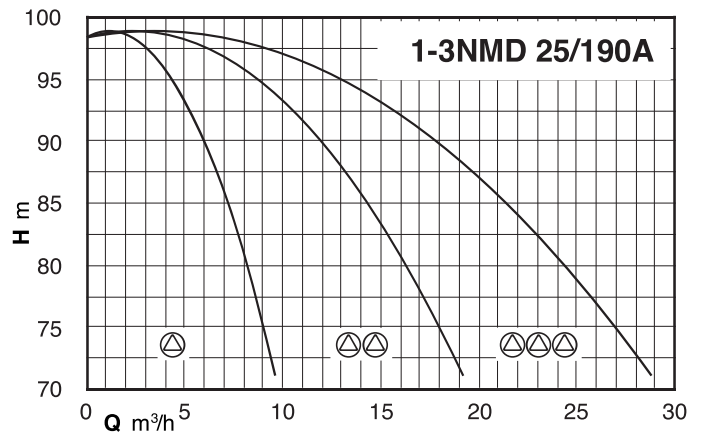
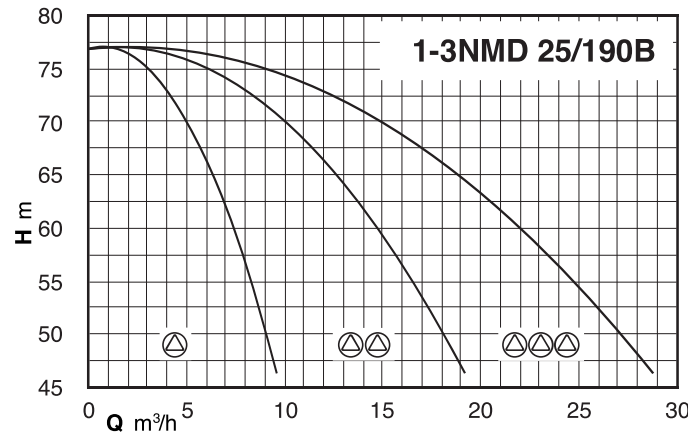
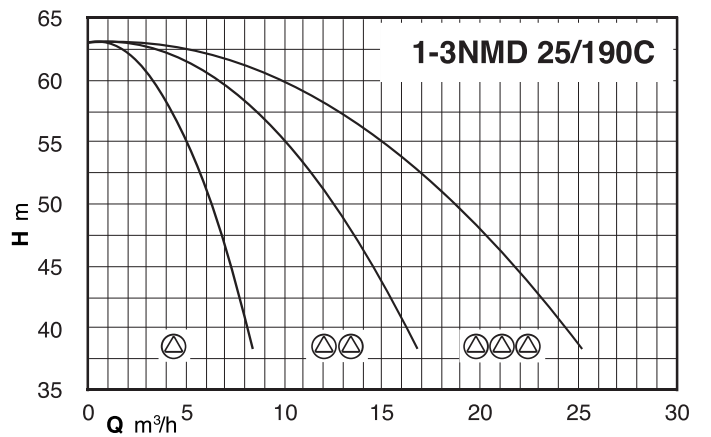
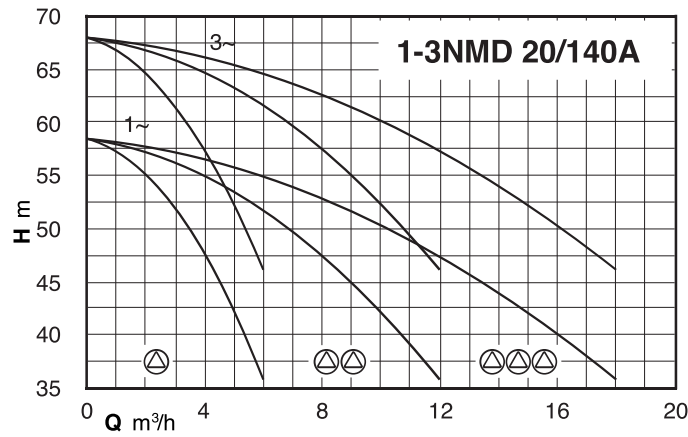
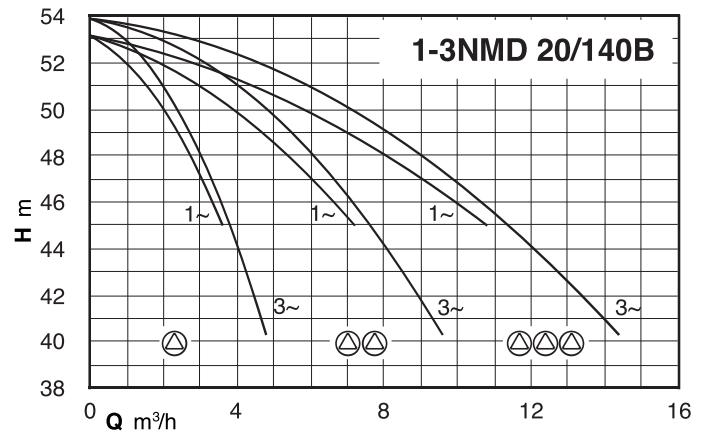
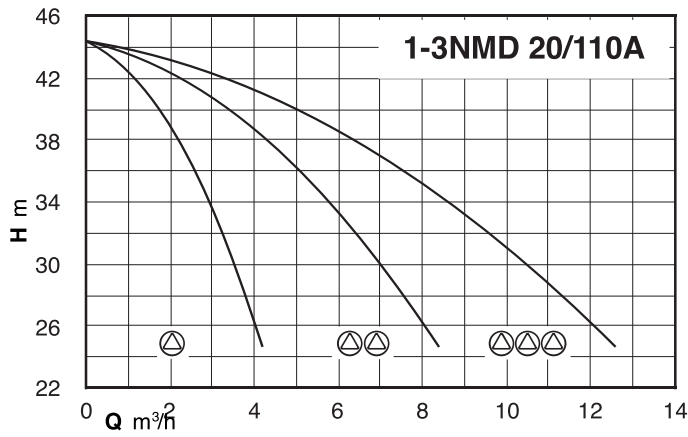
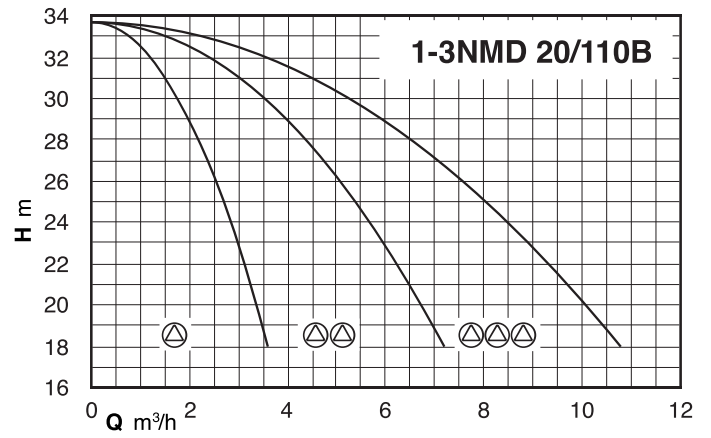
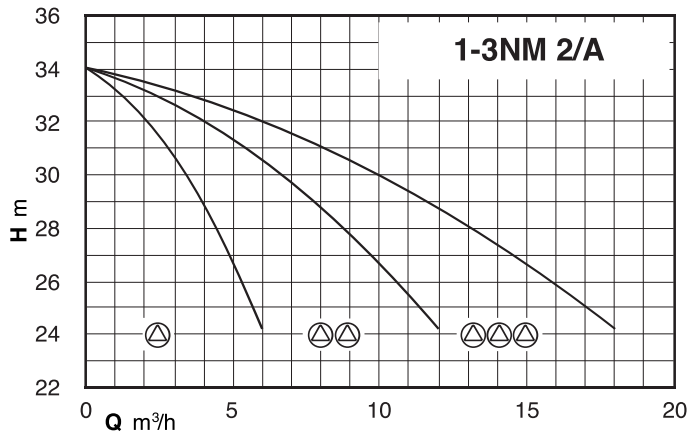
When installing the unit, connect in the delivery section to a diaphragm or galvanised tank.

The recommended sized are shown in the following page.

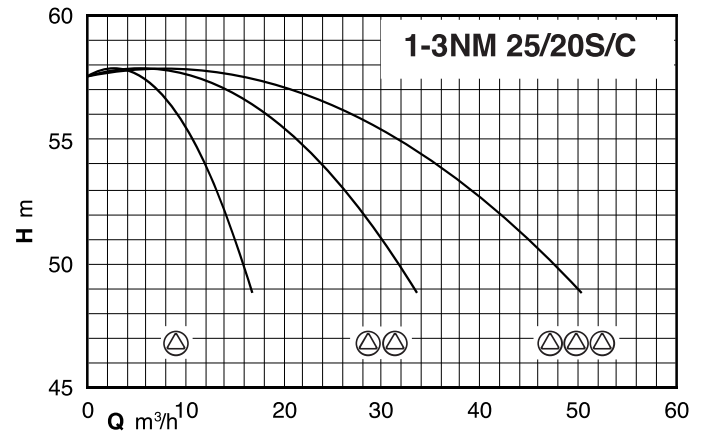
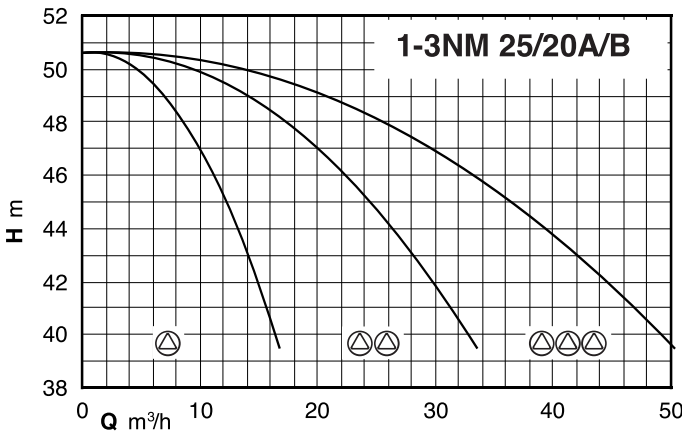
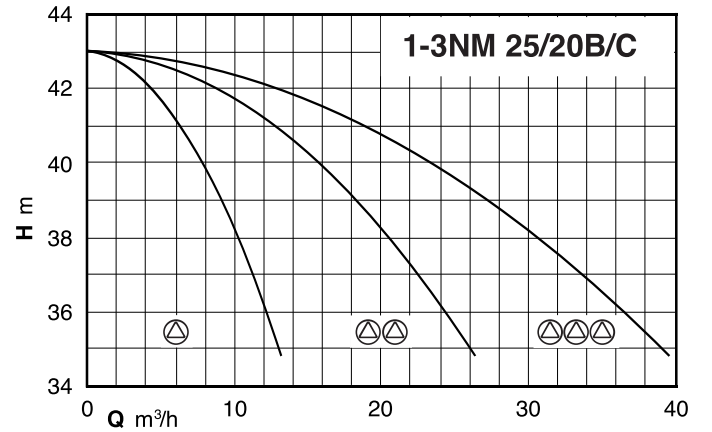
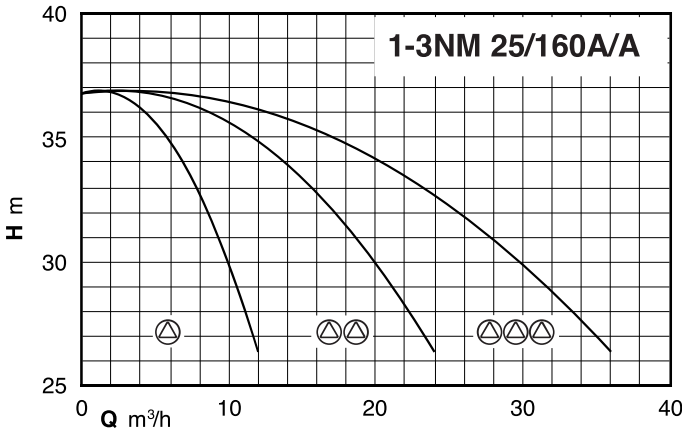
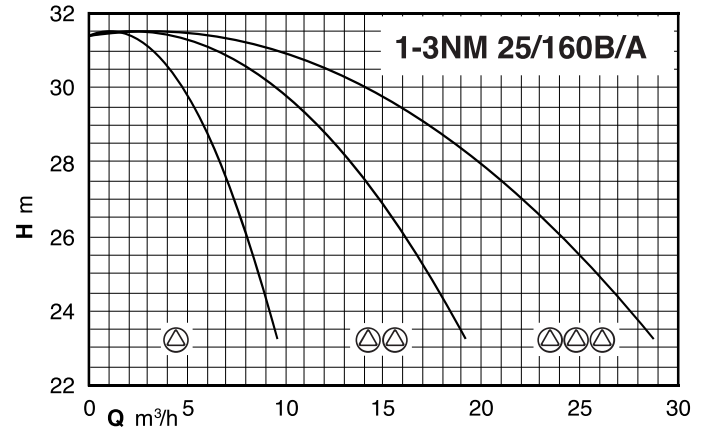
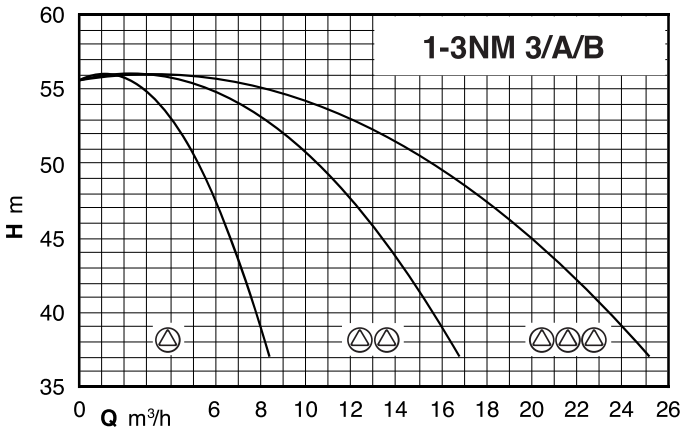
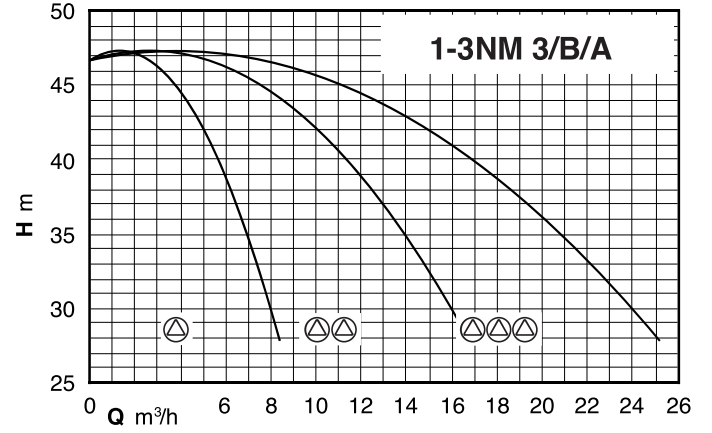
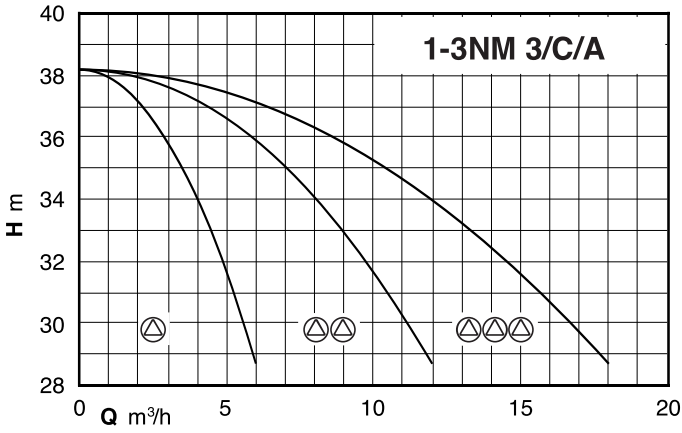
Special features on request

Pressure boosting sets with 4,5 and 6 pumps.

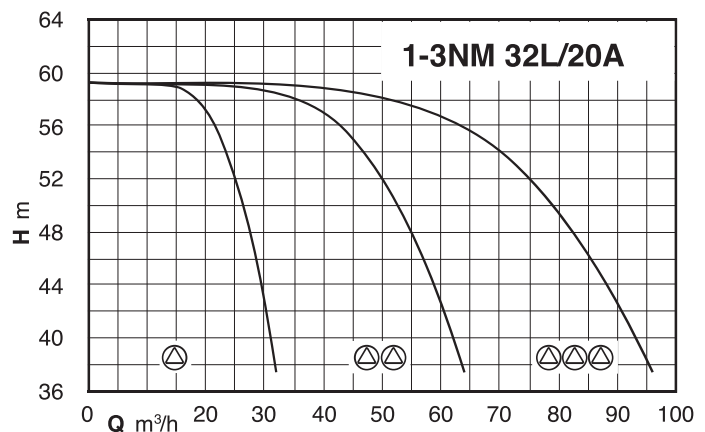
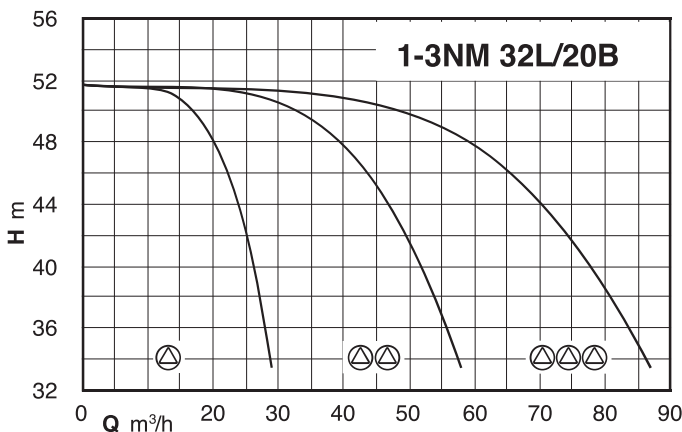
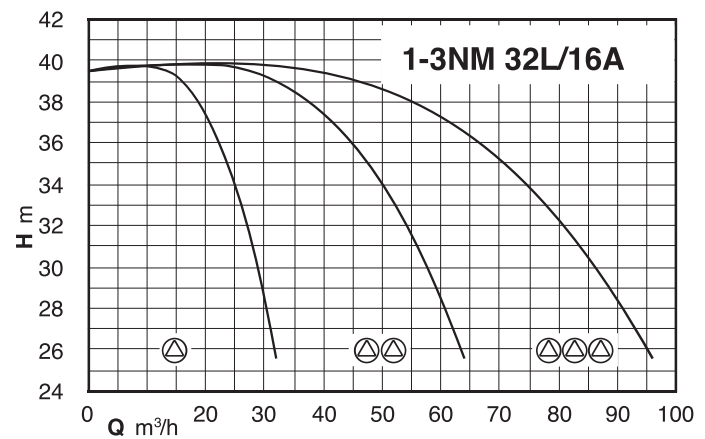
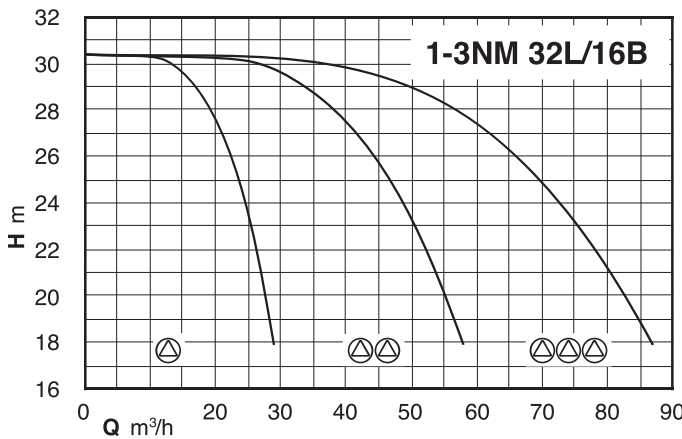
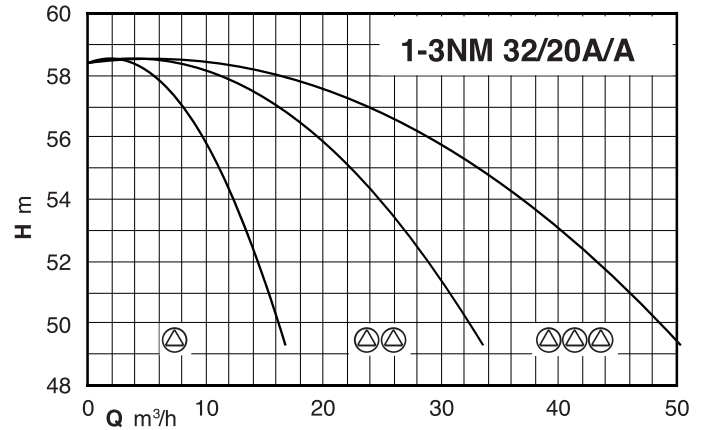
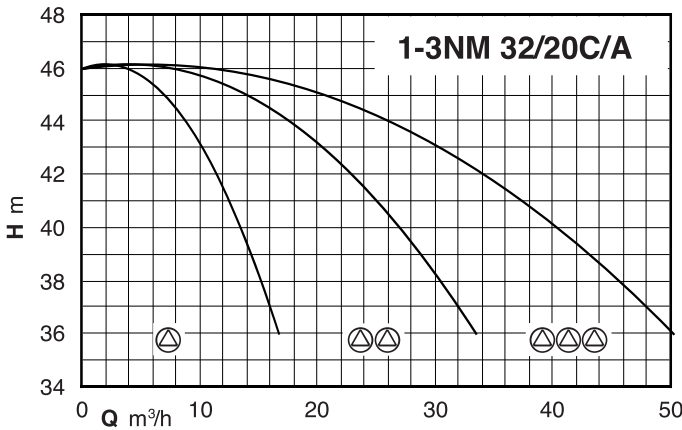
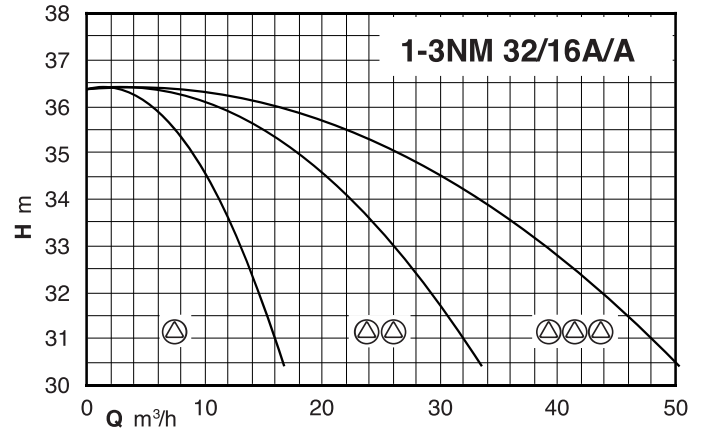
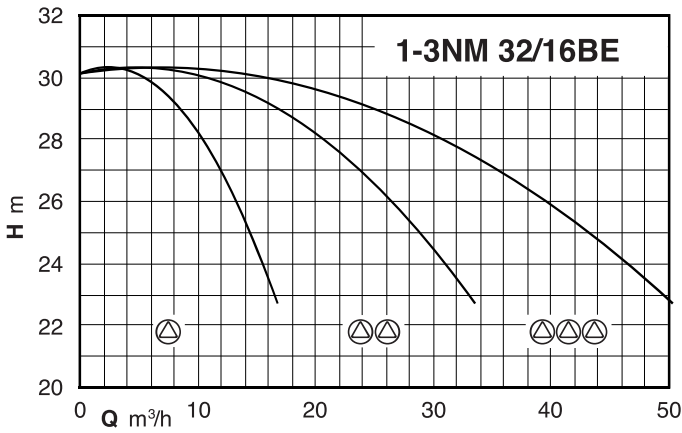
Coverage chart



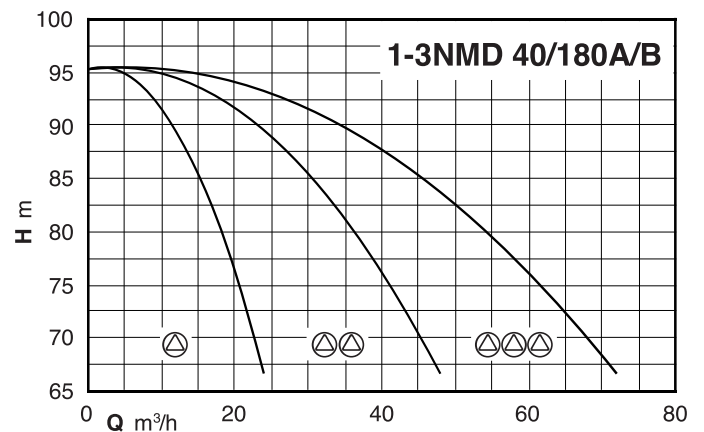
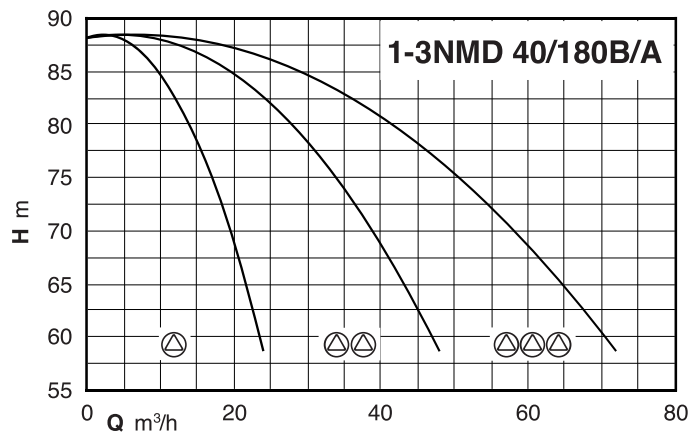
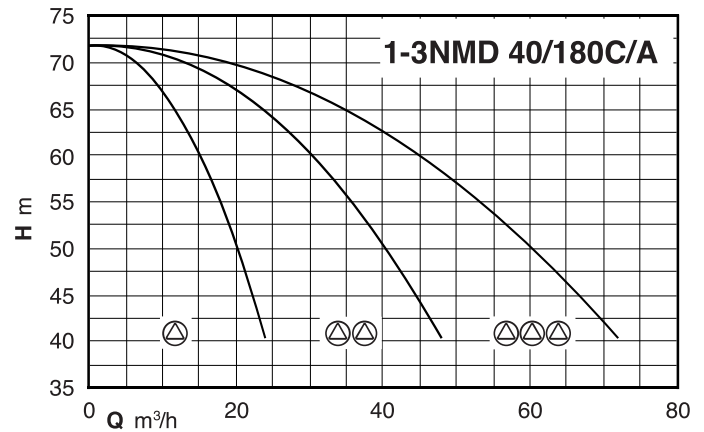
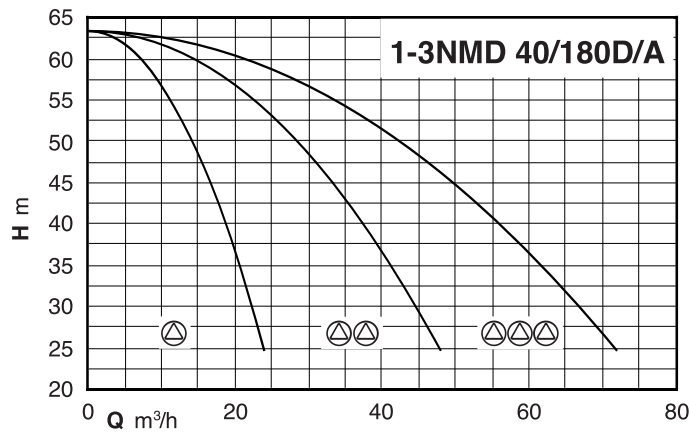
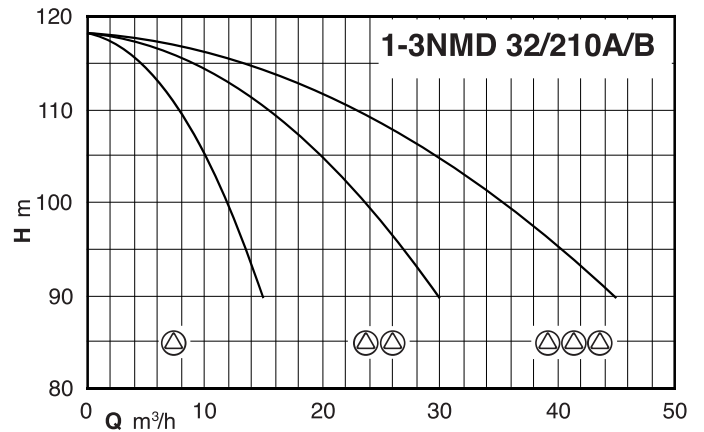
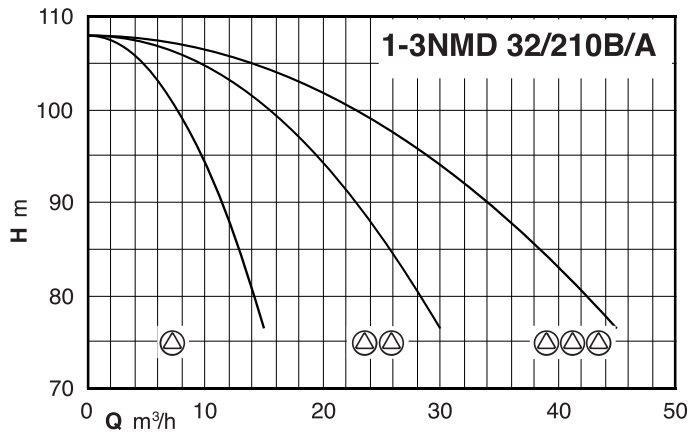
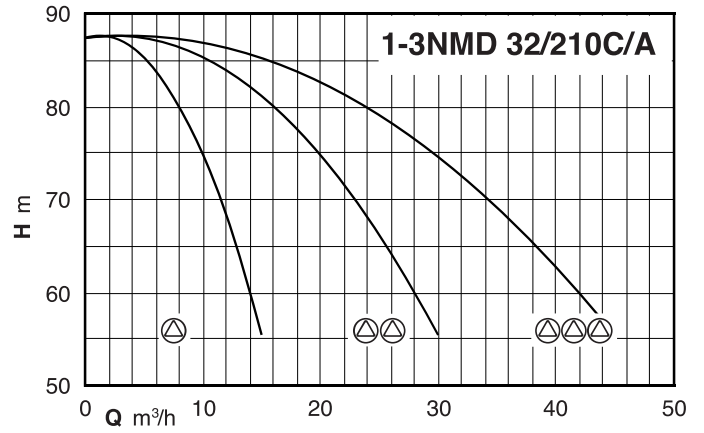
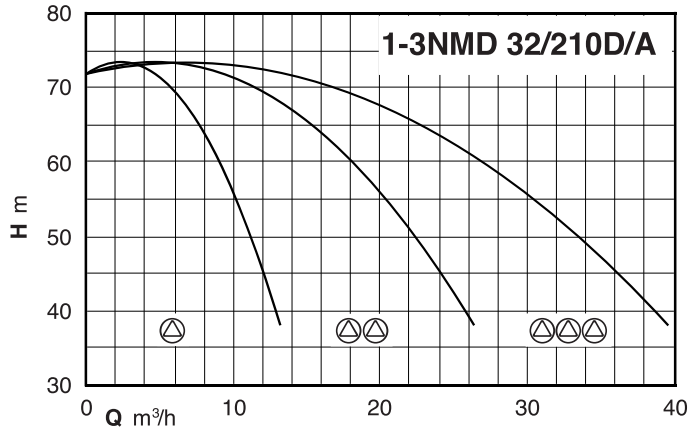
Coverage chart



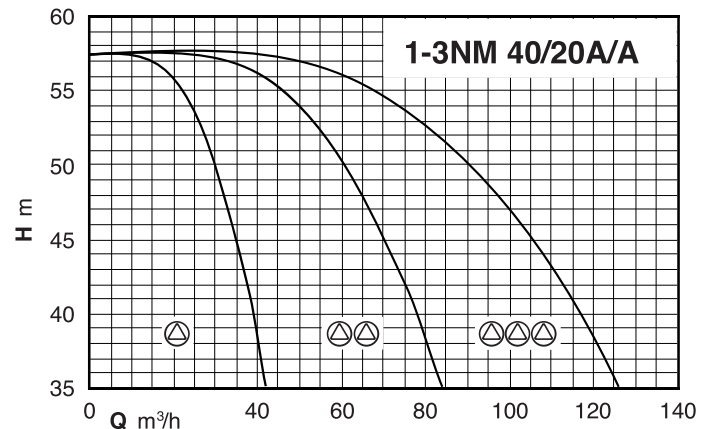
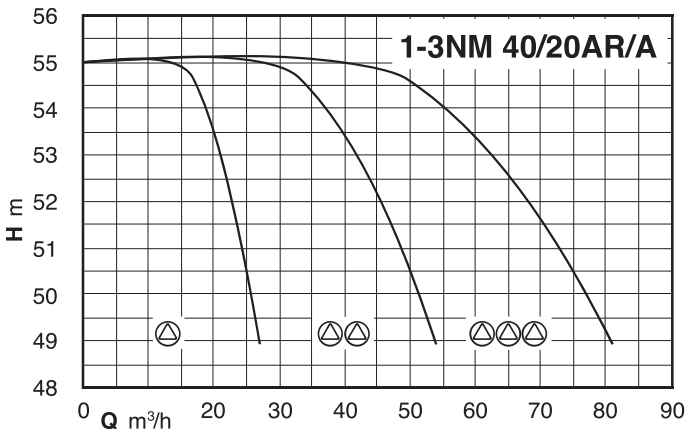
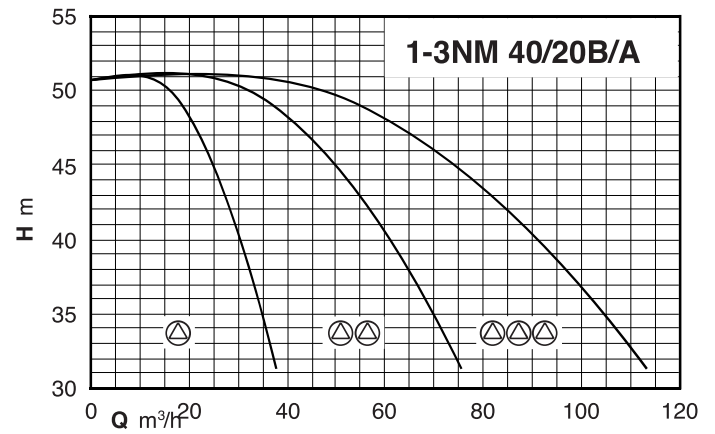
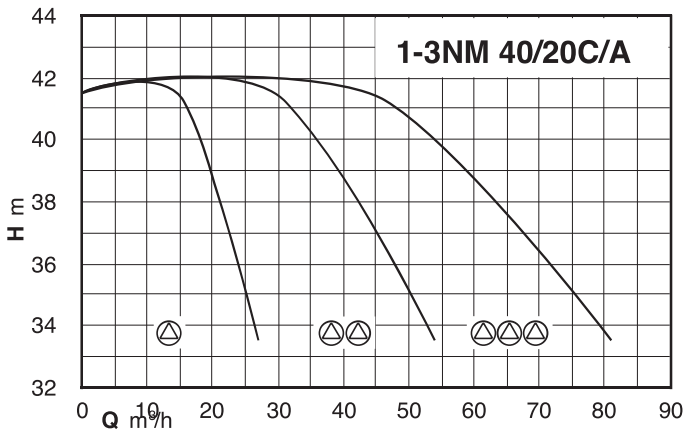
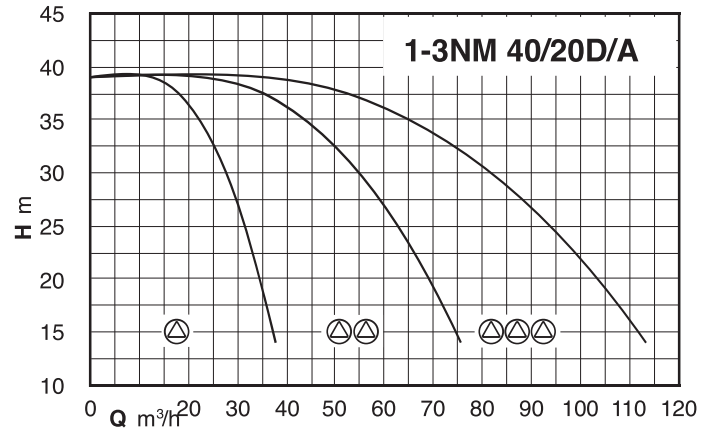
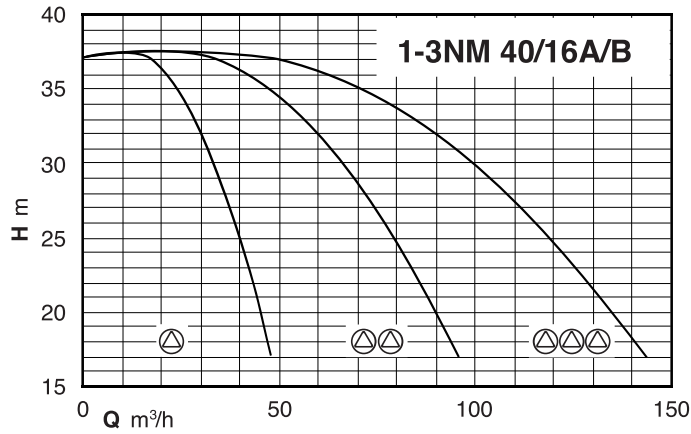
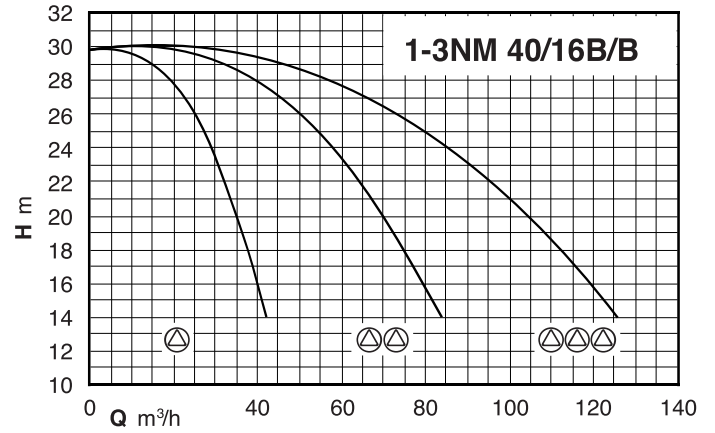
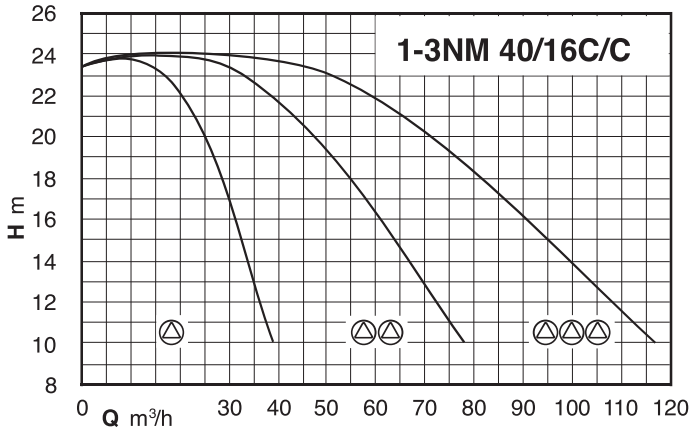
Coverage chart



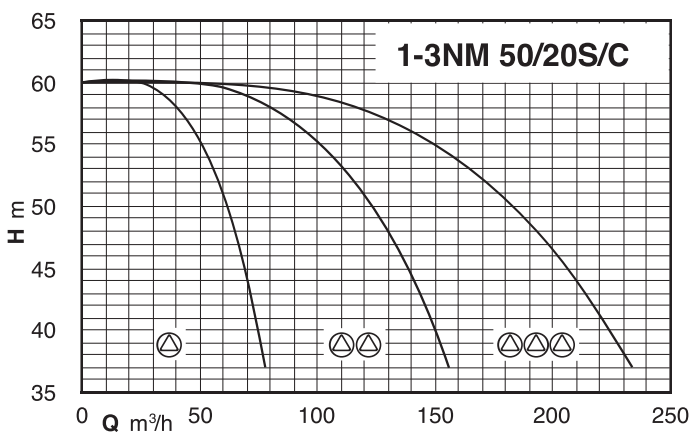
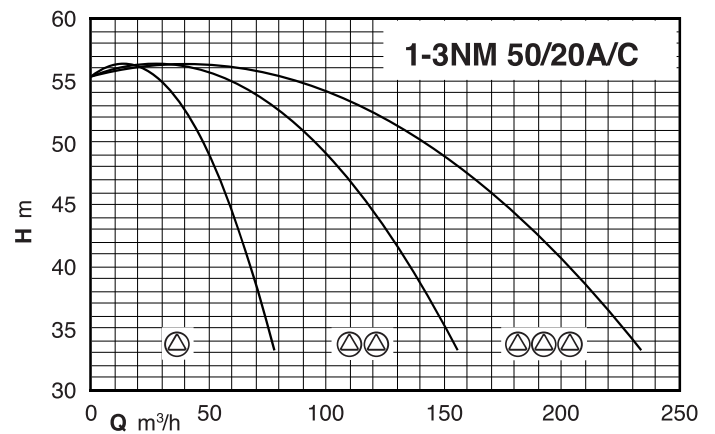
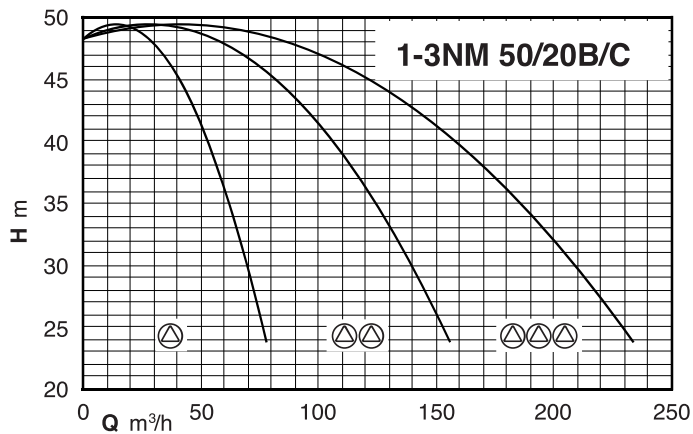
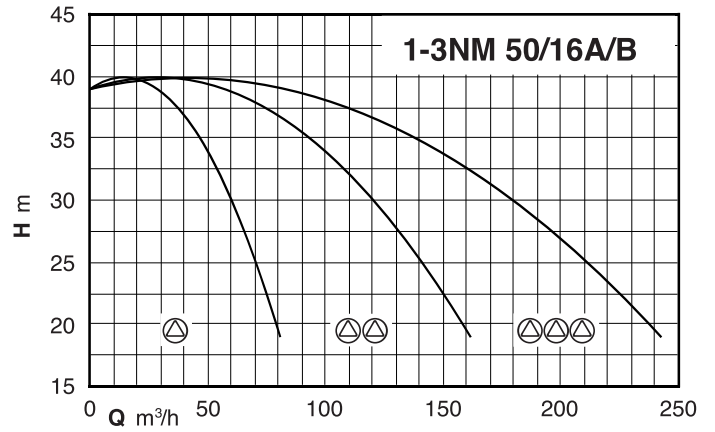
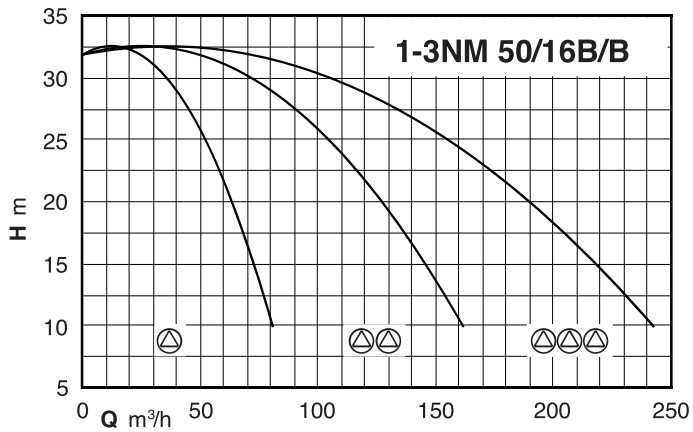
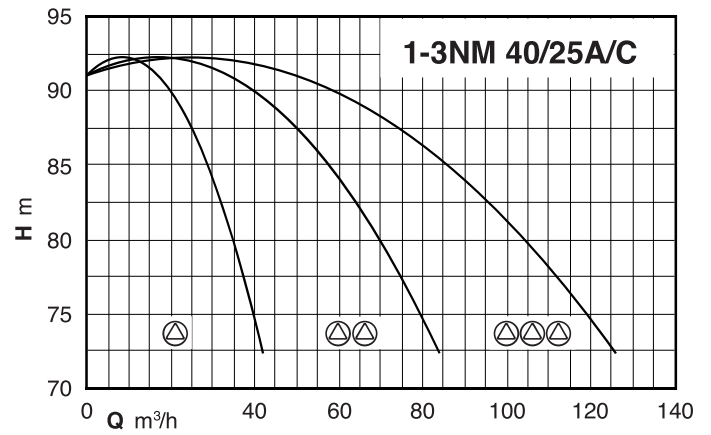
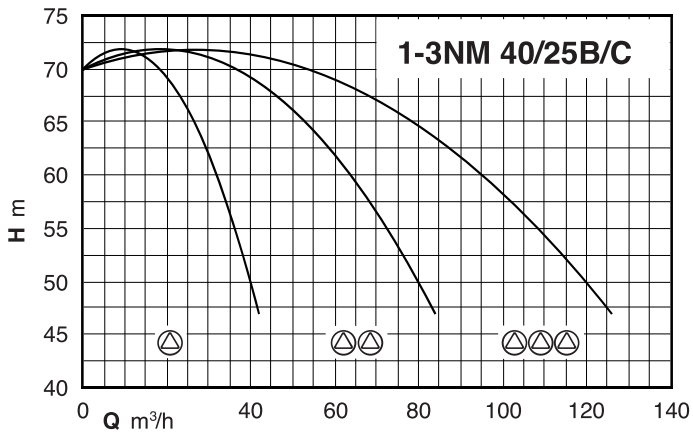
Coverage chart



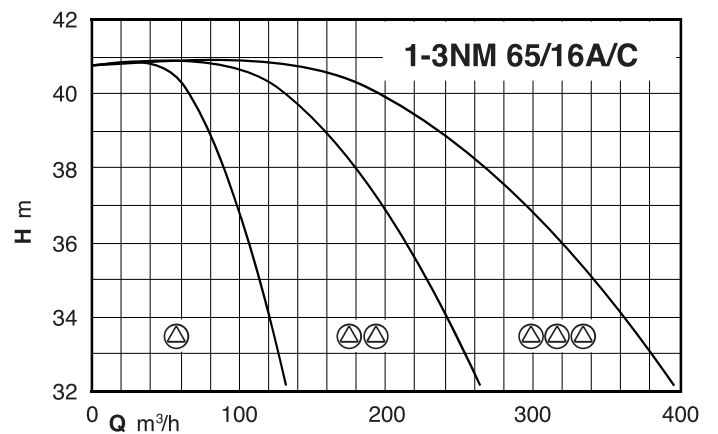
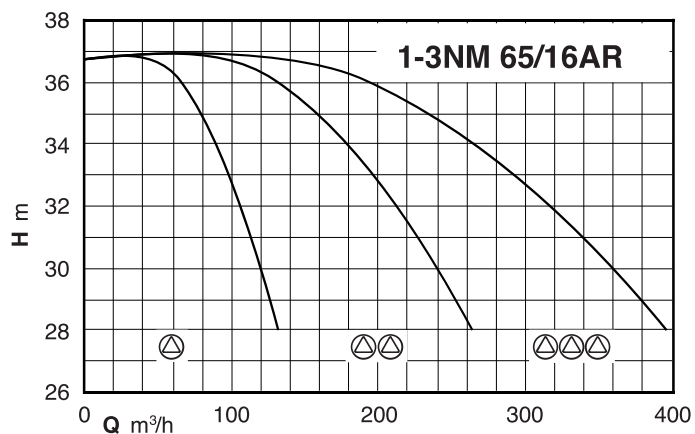
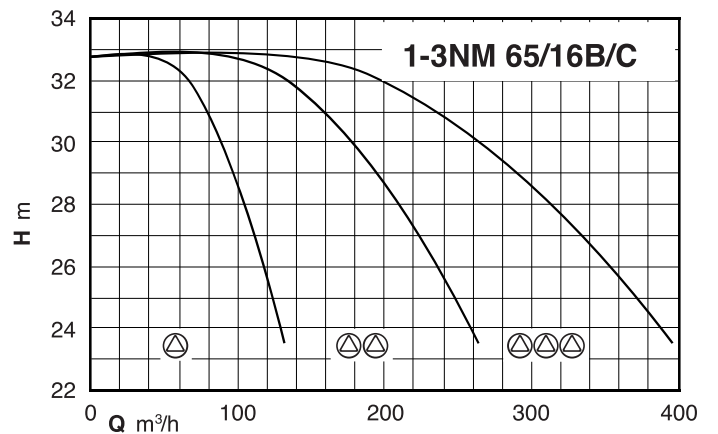
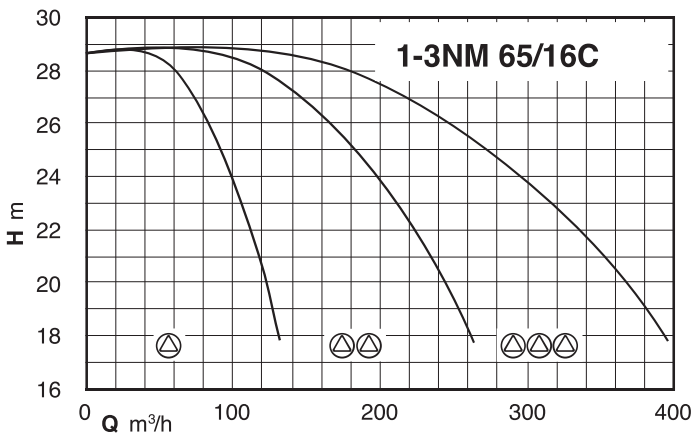
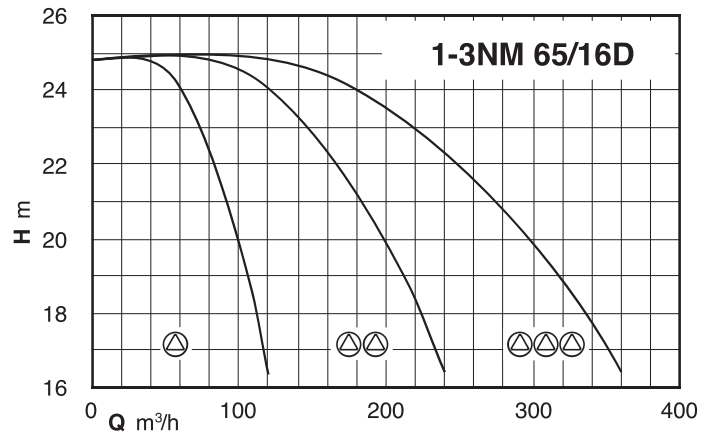
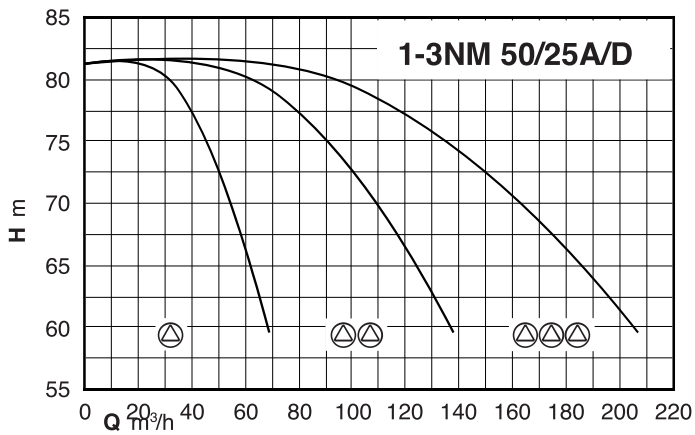
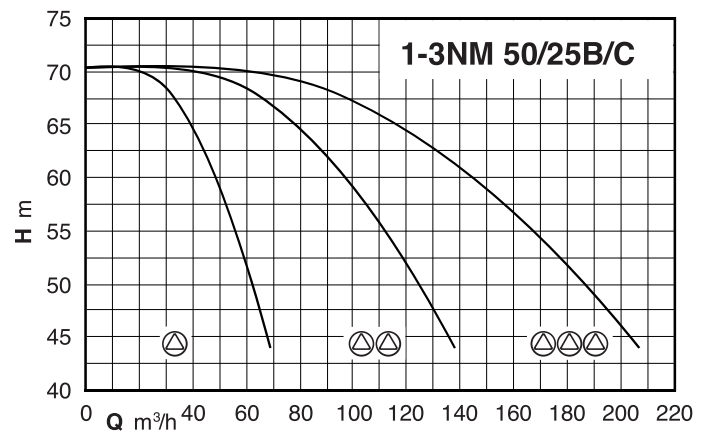
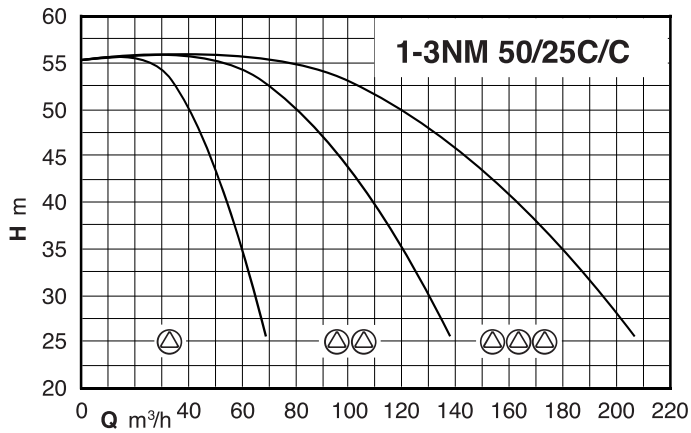
Coverage chart



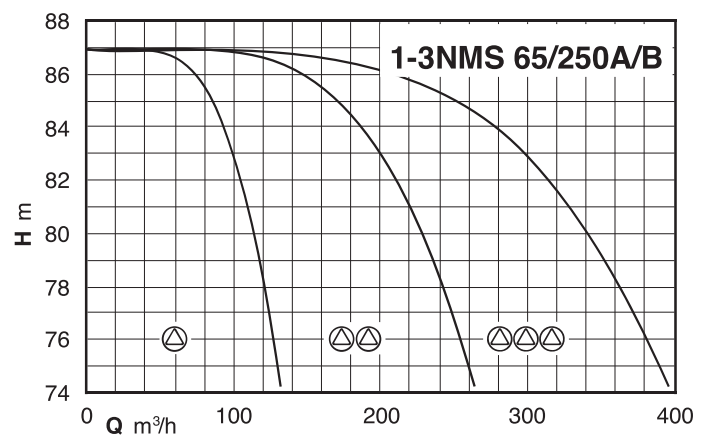
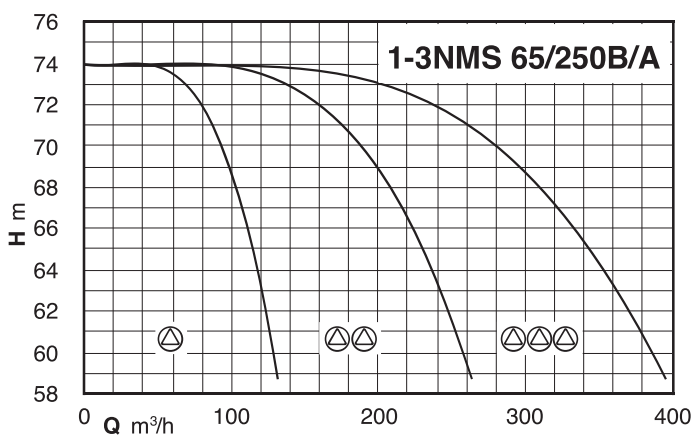
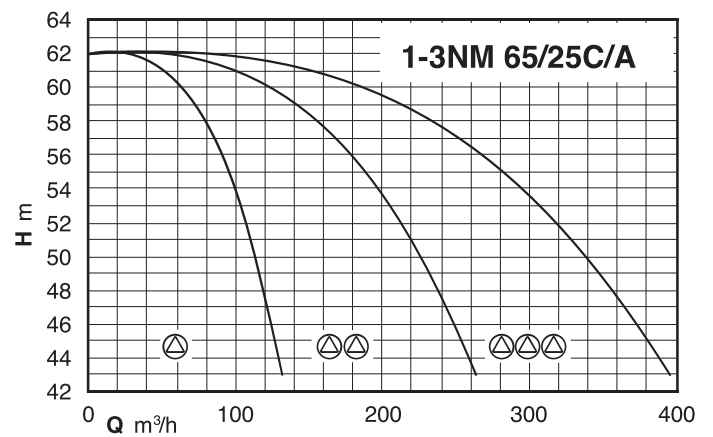
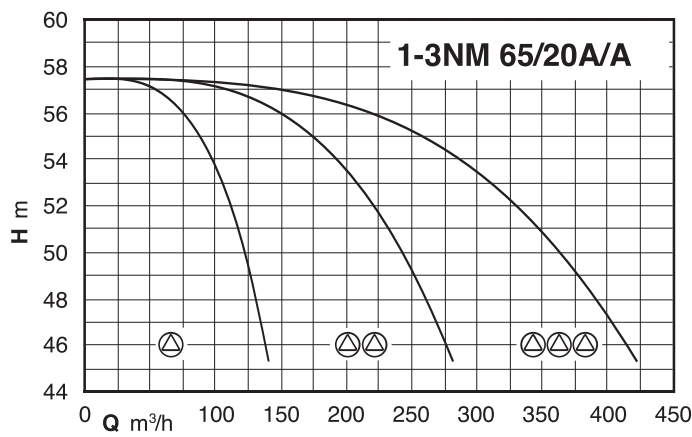
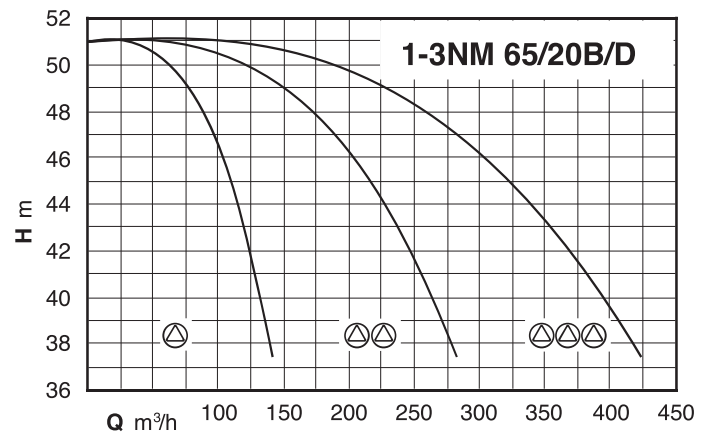
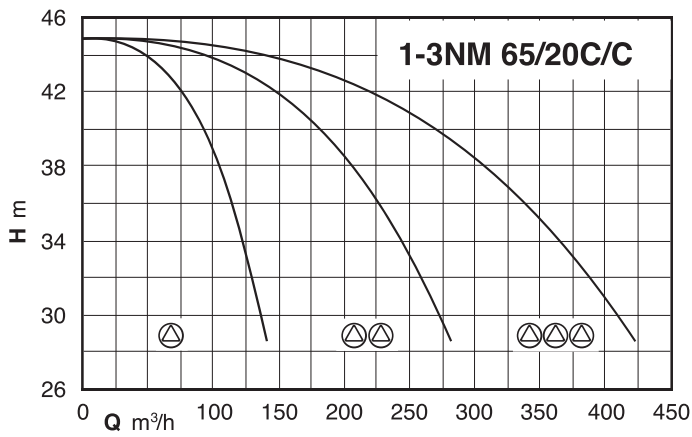
Coverage chart



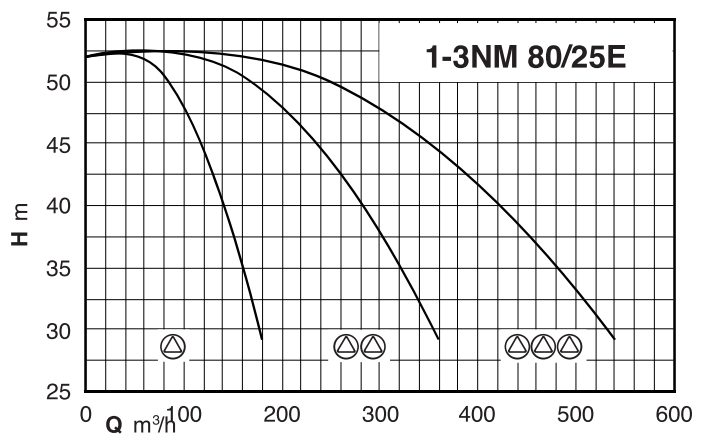
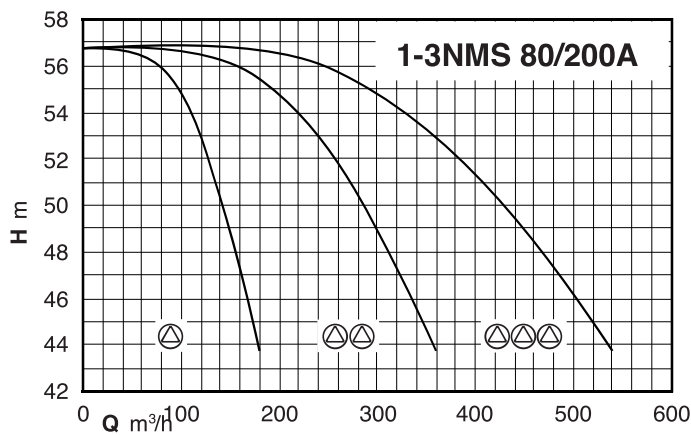
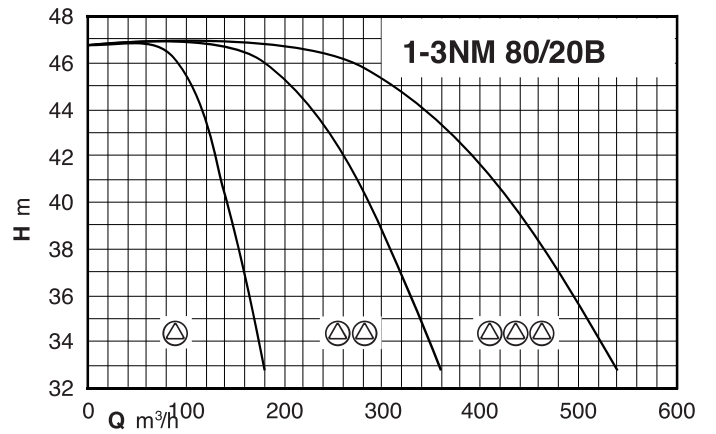
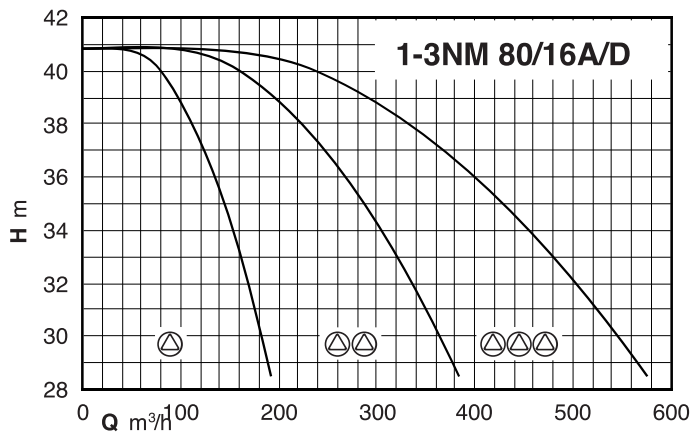
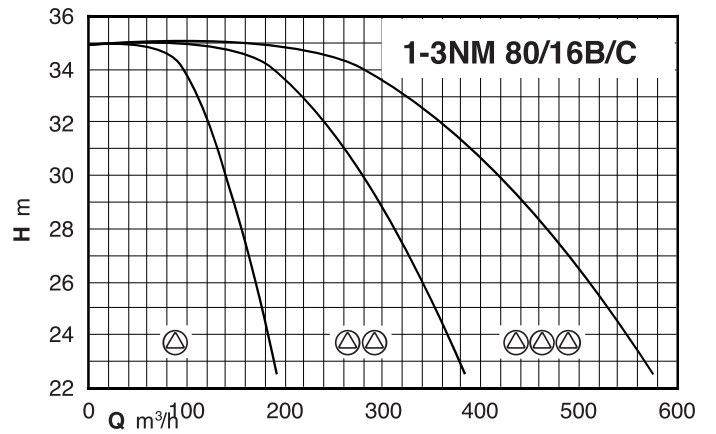
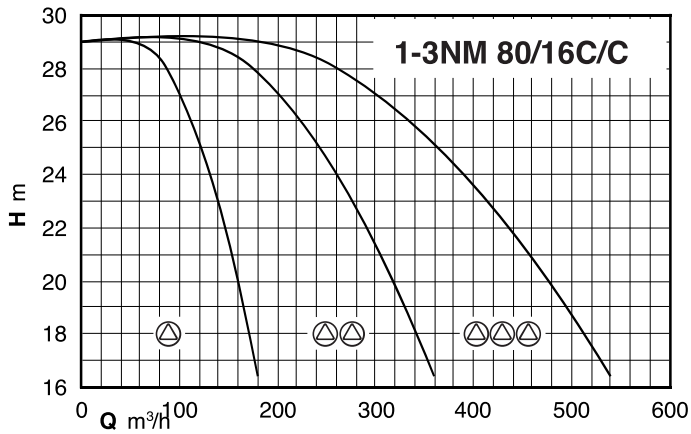
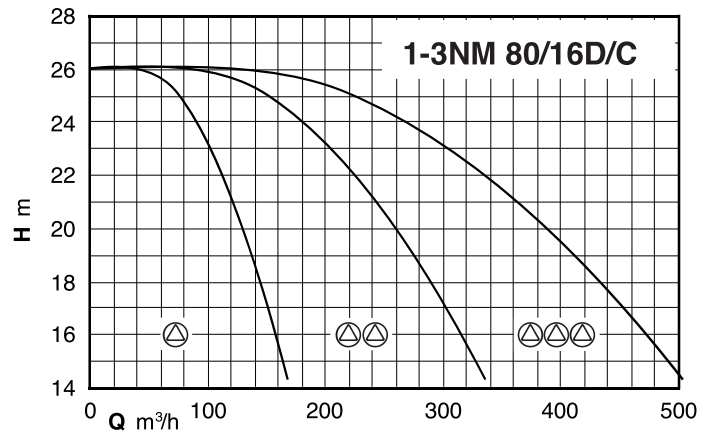
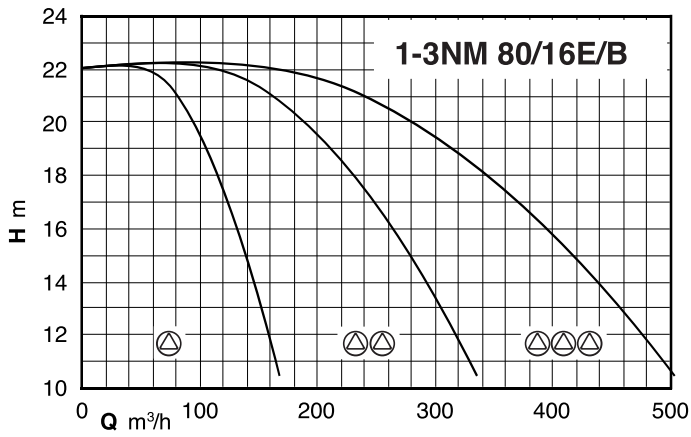
Coverage chart



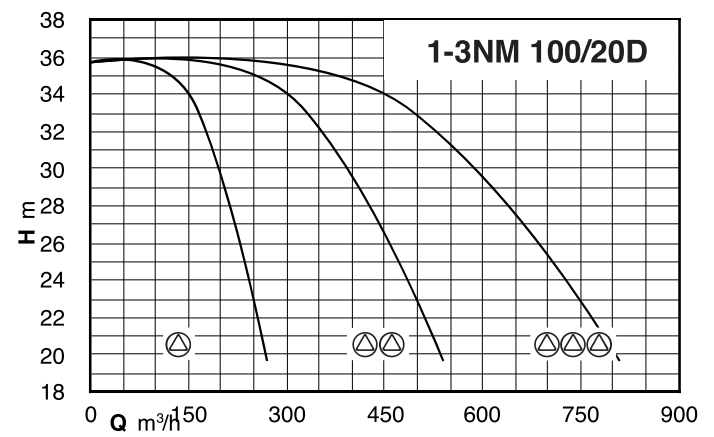
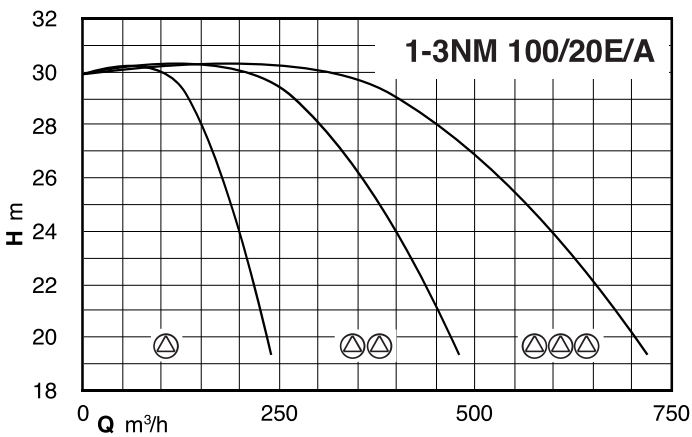
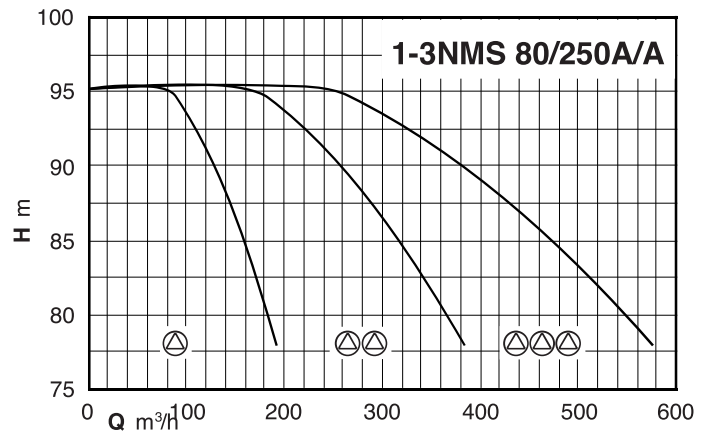
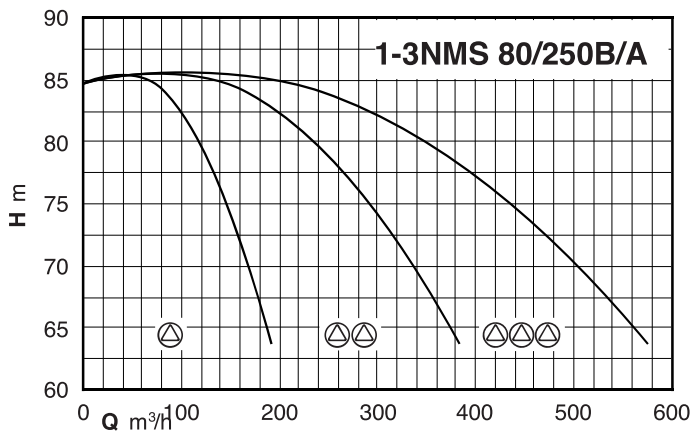
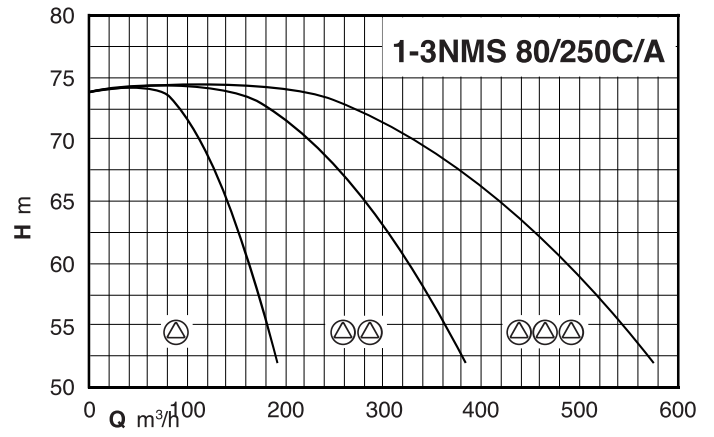
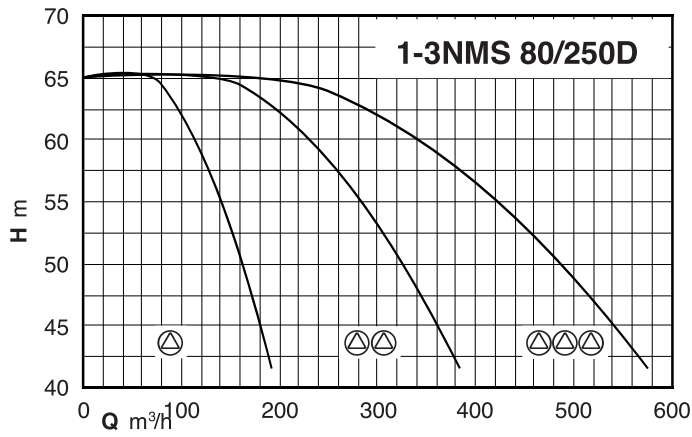
Coverage chart



Coverage chart



Coverage chart



Performance

BS1F

Mains: 400V 3~ Motor: 400V 3~	Motor		Pres. switch 1 bar		Maximum capacity *		Vessel Membrane litre	Vessel litre
	kW	HP	min	max	Q l/min	H m		
BS1F 1NM 32/16B/A	1,5	2	2,2	2,8	281	22	500	800
BS1F 1NM 32/16A/B	2,2	3	2,7	3,4	279	28	500	1000
BS1F 1NM 32/20C/A	3	4	3,2	4,2	285	33	500	1000
BS1F 1NM 32/20A/B	4	5,5	4,5	5,5	259	46	750	1000
BS1F 1NM 32L/16B	3	4	1,9	2,7	511	19	750	1500
BS1F 1NM 32L/16A	4	5,5	2,8	3,6	562	28	1500	3000
BS1F 1NM 32L/20B	5,5	7,5	3,1	4,6	443	32	1000	1500
BS1F 1NM 32L/20A	7,5	10	3,7	5,3	557	38	1500	3000
BS1F 1NMD 32/210D/B	4	5,5	5	7	189	51	500	500
BS1F 1NMD 32/210C/A	5,5	7,5	6	8	242	61	500	800
BS1F 1NMD 32/210B/A	7,5	10	8	10	233	82	750	1000
BS1F 1NMD 32/210A/B	9,2	12,5	9,5	11	215	97	1000	1500
BS1F 1NMD 40/180D/B	4	5,5	4	5,5	314	41	500	1000
BS1F 1NMD 40/180C/A	5,5	7,5	5	6,5	351	51	750	1500
BS1F 1NMD 40/180B/A	7,5	10	6,7	8,2	356	68	1000	2000
BS1F 1NMD 40/180A/B	9,2	12,5	7,5	9	348	76	1500	2000
BS1F 1NM 40/16B/B	3	4	1,5	2,5	690	15	750	1500
BS1F 1NM 40/16A/C	4	5,5	2,4	3,4	735	24	1000	2000
BS1F 1NM 40/20B/A	5,5	7,5	3,7	4,7	566	38	1500	3000
BS1F 1NM 40/20A/A	7,5	10	4,4	5,4	645	45	2000	4000
BS1F 1NM 40/25B/C	11	15	5,6	6,6	667	57	3000	5000
BS1F 1NM 40/25A/C	15	20	7,7	8,7	686	78	4000	-
BS1F 1NM 50/16B/B	5,5	7,5	1,7	2,7	1171	17	2000	4000
BS1F 1NM 50/16A/B	7,5	10	2,5	3,5	1212	25	3000	5000
BS1F 1NM 50/20B/C	9,2	12,5	3,5	4,5	1087	36	3000	5000
BS1F 1NM 50/20A/C	11	15	4,2	5,2	1143	43	4000	-
BS1F 1NM 50/25C/C	11	15	4,1	5,1	999	42	4000	-
BS1F 1NM 50/25B/C	15	20	5,6	6,6	993	57	4000	-
BS1F 1NM 50/25A/D	18,5	25	6,6	7,6	1175	67	5000	-
BS1F 1NM 65/16B/C	11	15	2,2	3,2	2223	22	4000	-
BS1F 1NM 65/16A/R	15	20	2,6	3,6	2238	27	5000	-
BS1F 1NM 65/16A/C	15	20	3,1	4,1	2205	32	5000	-
BS1F 1NM 65/20C/C	15	20	3	4	2101	31	-	-
BS1F 1NM 65/20B/D	18,5	25	3,6	4,6	2195	37	-	-
BS1F 1NM 65/20A/A	22	30	4,2	5,2	2238	43	-	-
BS1F 1NM 65/25C/A	22	30	5	6	1783	51	-	-
BS1F 1NMS 65/250B/A	30	40	6,6	7,6	1812	67	-	-
BS1F 1NMS 65/250A/A	37	50	7,7	8,7	1800	78	-	-
BS1F 1NM 80/16B/C	15	20	2,5	3,5	3391	25	-	-
BS1F 1NM 80/16A/D	18,5	25	2	3	2105	20	-	-
BS1F 1NM 80/20B	22	30	3,3	4,3	3040	34	-	-
BS1F 1NMS 80/200A	30	40	4,3	5,3	3005	44	-	-
BS1F 1NM 80/25E	22	30	3,8	4,8	2465	39	-	-
BS1F 1NMS 80/250D	30	40	4,5	6	2988	46	-	-
BS1F 1NMS 80/250C/A	37	50	5,5	7	3091	56	-	-
BS1F 1NMS 80/250B/A	45	60	6,5	8	3150	66	-	-
BS1F 1NMS 80/250A/A	55	75	8	9	3094	82	-	-

* Maximum pumps flow at minimum setting pressure switch.

Performance

BS2F

Mains: 400V 3~ Motor: 400V 3~	Motor		Pres. switch 1 bar		Pres. switch 2 bar		Maximum capacity *		Vessel Membrane litre	Vessel litre
	kW	HP	min	max	min	max	Q l/min	H m		
BS2F 2NMD 20/110B/A	0,45 x2	0,6 x2	2,0	3,0	1,7	2,7	120	17	24x2	100
BS2F 2NMD 20/110A/B	0,75 x2	1 x2	2,8	4,0	2,4	3,6	130	24	60	100
BS2F 2NM 2/A/B	0,75 x2	1 x2	2,0	3,0	1,7	2,7	200	17	80	200
BS2F 2NMD 20/140B/A	1,1 x2	1,5 x2	3,4	4,9	3,2	4,7	160	33	80	200
BSM2F 2NMDM 20/140AE	1,5 x2	2 x2	4,0	5,3	3,7	5,0	160	38	100	200
BS2F 2NMD 20/140A/A	1,5 x2	2 x2	5,0	6,3	4,7	6,0	180	48	100	200
BS2F 2NM 3/C/A	1,1 x2	1,5 x2	2,5	3,5	2,2	3,2	200	22	100	200
BSM2F 2NMM 3/BE	1,5 x2	2 x2	3,0	4,0	2,7	3,7	200	28	100	300
BS2F 2NM 3/B/A	1,5 x2	2 x2	3,2	4,5	2,9	4,2	270	30	100	300
BS2F 2NM 3/A/B	2,2 x2	3 x2	4,0	5,3	3,7	5,0	280	38	200	300
BS2F 2NM 25/20B/C	2,2 x2	3 x2	3,0	4,0	2,7	3,7	530	28	300	500
BS2F 2NM 25/20A/B	3 x2	4 x2	3,8	4,8	3,5	4,5	600	36	500	800
BS2F 2NM 25/20S/C	4 x2	5,5 x2	4,0	5,5	3,5	5,0	670	36	500	800
BS2F 2NMD 25/190C/B	2,2 x2	3 x2	4,3	5,8	3,8	5,3	280	39	200	300
BS2F 2NMD 25/190B/A	3 x2	4 x2	5,0	7,0	4,5	6,5	320	46	200	300
BS2F 2NMD 25/190A/B	4 x2	5,5 x2	7,5	9,0	7,0	8,5	320	71	300	500
BS2F 2NM 32/16B/A	1,5 x2	2 x2	2,2	2,8	2	2,6	580	20	500	800
BS2F 2NM 32/16A/B	2,2 x2	3 x2	2,7	3,4	2,5	3,2	483	25	500	1000
BS2F 2NM 32/20C/A	3 x2	4 x2	3,2	4,2	3	4	546	31	500	1000
BS2F 2NM 32/20A/B	4 x2	5,5 x2	4,5	5,5	4	5	254	41	750	1000
BS2F 2NM 32L/16B	3 x2	4 x2	1,9	2,7	1,6	2,4	439	16	750	1500
BS2F 2NM 32L/16A	4 x2	5,5 x2	2,8	3,6	2,5	3,3	526	25	1000	2000
BS2F 2NM 32L/20B	5,5 x2	7,5 x2	3,2	4,7	2,9	4,4	339	9	750	1000
BS2F 2NM 32L/20A	7,5 x2	10 x2	3,7	5,4	3,5	5,1	453	36	1000	1500
BS2F 2NMD 32/210D/B	4 x2	5,5 x2	5	7	4,5	6,5	408	46	500	500
BS2F 2NMD 32/210C/A	5,5 x2	7,5 x2	6	8	5,5	7,5	500	56	500	800
BS2F 2NMD 32/210B/A	7,5 x2	10 x2	8	10	7,5	9,5	498	76	750	1000
BS2F 2NMD 32/210A/B	9,2 x2	12,5 x2	9,5	11	9	10,5	484	92	1000	1500
BS2F 2NMD 40/180D/B	4 x2	5,5 x2	4	5,5	3,5	5	697	36	500	1000
BS2F 2NMD 40/180C/A	5,5 x2	7,5 x2	5	6,5	4,5	6	764	46	750	1500
BS2F 2NMD 40/180B/A	7,5 x2	10 x2	6,7	8,2	6,2	7,7	772	63	1000	2000
BS2F 2NMD 40/180A/B	9,2 x2	12,5 x2	7,5	9	7	8,5	764	71	1500	2000
BS2F 2NM 40/16B/B	3 x2	4 x2	1,5	2,5	1,2	2,2	1410	12	750	1500
BS2F 2NM 40/16A/C	4 x2	5,5 x2	2,4	3,4	2	3	1583	20	1000	2000
BS2F 2NM 40/20B/A	5,5 x2	7,5 x2	3,7	4,7	3,3	4,3	1227	34	1500	3000
BS2F 2NM 40/20A/A	7,5 x2	10 x2	4,4	5,4	3,9	4,9	1403	40	2000	4000
BS2F 2NM 40/25B/C	11 x2	15 x2	5,6	6,6	5,1	6,1	1452	52	3000	5000
BS2F 2NM 40/25A/C	15 x2	20 x2	7,7	8,7	7,3	8,3	1446	74	4000	-
BS2F 2NM 50/16B/B	5,5 x2	7,5 x2	1,7	2,7	1,2	2,2	2609	12	2000	4000
BS2F 2NM 50/16A/B	7,5 x2	10 x2	2,5	3,5	2	3	2665	20	3000	5000
BS2F 2NM 50/20B/C	9,2 x2	12,5 x2	3,5	4,5	3	4	2466	31	3000	5000
BS2F 2NM 50/20A/C	11 x2	15 x2	4,2	5,2	3,7	4,7	2549	38	4000	-
BS2F 2NM 50/25C/C	11 x2	15 x2	4,1	5,1	3,6	4,6	2236	37	4000	-
BS2F 2NM 50/25B/C	15 x2	20 x2	5,6	6,6	5,1	6,1	2236	52	4000	-
BS2F 2NM 50/25A/D	18,5 x2	25 x2	6,6	7,6	6,1	7,1	2426	62	5000	-
BS2F 2NM 65/16B/C	11 x2	15 x2	2,2	3,2	1,7	2,7	4254	17	4000	-
BS2F 2NM 65/16AR	15 x2	15 x2	2,6	3,6	2,1	3,1	4111	21	5000	-
BS2F 2NM 65/16A/C	15 x2	15 x2	3,1	4,1	2,6	3,6	4228	27	5000	--
BS2F 2NM 65/20C/C	15 x2	20 x2	3	4	2,5	3,5	4422	25	-	-
BS2F 2NM 65/20B/D	18,5 x2	25 x2	3,6	4,6	3,2	4,2	4283	33	-	-
BS2F 2NM 65/20A/A	22 x2	30 x2	4,2	5,2	3,8	4,8	4044	39	-	-
BS2F 2NM 65/25C/A	22 x2	30 x2	5	6	4,6	5,6	3608	47	-	-
BS2F 2NMS 65/250B/A	30 x2	40 x2	6,6	7,6	6,2	7,2	2970	63	-	-
BS2F 2NMS 65/250A/A	37 x2	50 x2	7,7	8,7	7,3	8,3	2994	74	-	-
BS2F 2NM 80/16B/C	15 x2	20 x2	2,2	3,2	1,7	2,7	6712	20	-	-
BS2F 2NM 80/16A/D	18,5 x2	25 x2	2,8	3,8	2,3	3,3	6593	23	-	-
BS2F 2NM 80/20B	22 x2	30 x2	3,3	4,3	3	4	5836	31	-	-
BS2F 2NMS 80/200A	30 x2	40 x2	4,3	5,3	4	5	5818	41	-	-
BS2F 2NM 80/25E	22 x2	30 x2	3,8	4,8	3,2	4,2	5691	33	-	-
BS2F 2NMS 80/250D	30 x2	40 x2	4,5	6	4	5,5	6416	41	-	-
BS2F 2NMS 80/250C/A	37 x2	50 x2	5,5	7	5	6,5	6407	51	-	-
BS2F 2NMS 80/250B/A	45 x2	60 x2	6,5	8	6	7,5	6376	61	-	-
BS2F 2NMS 80/250A/A	55 x2	75 x2	8	9	7,5	8,5	6400	76	-	-

* Maximum pumps flow at minimum setting pressure of 2nd pressure switch.

Performance

BS3F

Mains: 400V 3~ Motor: 400V 3~	Motor		Pres. switch 1 bar		Pres. switch 2 bar		Pres. switch 3 bar		Maximum capacity *		Vessel Membrane litre	Vessel litre
	kW	HP	min	max	min	max	min	max	Q l/min	H m		
BS3F 3NM 40/16B/B	3 x3	4 x3	2	2,6	1,6	2,2	1,2	1,8	2115	12	750	1500
BS3F 3NM 40/16A/C	4 x3	5,5 x3	2,7	3,4	2,3	3	1,9	2,6	2393	19	1000	2000
BS3F 3NM 40/20B/A	5,5 x3	7,5 x3	3,9	4,7	3,5	4,3	3,1	3,9	1879	32	1500	3000
BS3F 3NM 40/20A/A	7,5 x3	10 x3	4,4	5,4	4	5	3,6	4,6	2120	37	2000	4000
BS3F 3NM 40/25B/C	11 x3	15 x3	5,6	6,6	5,2	6,2	4,8	5,8	2189	49	3000	5000
BS3F 3NM 40/25A/C	15 x3	20 x3	7,9	8,7	7,5	8,3	7,1	7,9	2155	72	4000	-
BS3F 3NM 50/16B/B	5,5 x3	7,5 x3	1,9	2,7	1,5	2,3	1,1	1,9	3971	11	2000	4000
BS3F 3NM 50/16A/B	7,5 x3	10 x3	2,7	3,5	2,3	3,1	1,9	2,7	4039	19	3000	5000
BS3F 3NM 50/20B/C	9,2 x3	12,5 x3	3,5	4,5	3	4	2,5	3,5	3894	25	3000	5000
BS3F 3NM 50/20A/C	11 x3	15 x3	4,2	5,2	3,7	4,7	3,2	4,2	3903	33	4000	-
BS3F 3NM 50/25C/C	11 x3	15 x3	4,1	5,1	3,6	4,6	3,1	4,1	3524	32	4000	-
BS3F 3NM 50/25B/C	15 x3	20 x3	5,6	6,6	5,1	6,1	4,6	5,6	3497	47	4000	-
BS3F 3NM 50/25A/D	18,5 x3	25 x3	6,7	7,7	6,3	7,3	5,9	6,9	3563	60	5000	-
BS3F 3NM 65/16B/C	11 x3	15 x3	2,2	3,2	1,9	2,9	1,6	2,6	6128	16	4000	-
BS3F 3NM 65/16A/R	15 x3	20 x3	2,6	3,6	2,3	3,3	2	3	5831	20	5000	-
BS3F 3NM 65/16A/C	15 x3	20 x3	3,1	4,1	2,8	3,8	2,5	3,5	6053	25	5000	-
BS3F 3NM 65/20C/C	15 x3	20 x3	3	4	2,7	3,7	2,4	3,4	6622	24	-	-
BS3F 3NM 65/20B/D	18,5 x3	25 x3	3,6	4,6	3,3	4,3	3	4	6090	31	-	-
BS3F 3NM 65/20A/A	22 x3	30 x3	4,2	5,2	3,9	4,9	3,6	4,6	5410	37	-	-
BS3F 3NM 65/25C/A	22 x3	30 x3	5	6	4,7	5,7	4,4	5,4	5290	45	-	-
BS3F 3NMS 65/250B/A	30 x3	40 x3	6,6	7,6	6,3	7,3	6	7	3590	61	-	-
BS3F 3NMS 65/250A/A	37 x3	50 x3	7,7	8,7	7,4	8,4	7,1	8,1	3651	72	-	-
BS3F 3NM 80/16B/C	15 x3	20 x3	2,2	3,2	1,9	2,9	1,6	2,6	7854	16	-	-
BS3F 3NM 80/16A/C	18,5 x3	25 x3	2,8	3,8	2,5	3,5	2,2	3,2	8027	22	-	-
BS3F 3NM 80/20B	22 x3	30 x3	3,3	4,3	3,1	4,1	2,9	3,9	8491	30	-	-
BS3F 3NMS 80/200A	30 x3	40 x3	4,3	5,3	4,1	5,1	3,9	4,9	8488	40	-	-
BS3F 3NM 80/25E	22 x3	30 x3	3,8	4,8	3,4	4,4	3	4	8818	31	-	-
BS3F 3NMS 80/250D	30 x3	40 x3	5	6	4,5	5,5	4	5	9625	41	-	-
BS3F 3NMS 80/250C/A	37 x3	50 x3	6	7	5,5	6,5	5	6	9610	51	-	-
BS3F 3NMS 80/250B/A	45 x3	60 x3	7	8	6,5	7,5	6	7	9564	61	-	-
BS3F 3NMS 80/250A/A	55 x3	75 x3	8	9	7,6	8,6	7,2	8,2	9323	73	-	-

* Maximum pumps flow at minimum setting pressure of 3rd pressure switch.

Performance

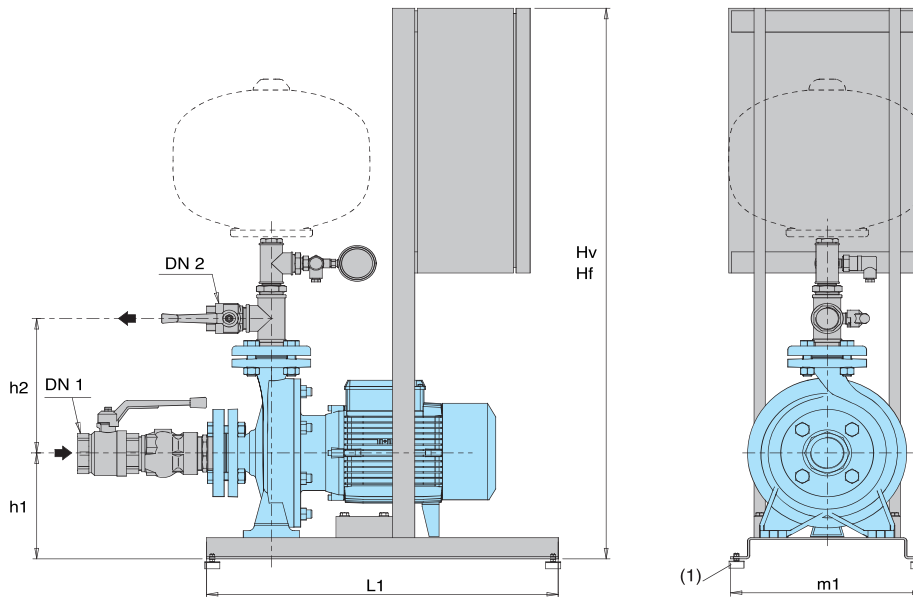
BS..

PUMPS Nos						PUMP TYPE	P ₂	
1	2	3	4	5	6		For each pump	
							kW	HP
BS1V	BS2V BS1V1F	BS3V BS1V2F	BS4V BS1V3F	BS5V BS1V4F	BS6V BS1V5F	NM 2/A/B	0,75	1
						NMD 20/110B/A	0,45	0,6
						NMD 20/110A/B	0,75	1
						NMD 20/140B/A	1,1	1,5
						NMD 20/140A/A	1,5	2
						NM 3/C/A	1,1	1,5
						NM 3/B/A	1,5	2
						NM 3/A/B	2,2	3
						NM 25/20B/C	2,2	3
						NM 25/20A/B	3	4
						NM 25/20S/C	4	5,5
						NMD 25/190C/B	2,2	3
						NMD 25/190B/A	3	4
						NMD 25/190A/B	4	5,5
						NM 32/16B/A	1,5	2
						NM 32/16A/B	2,2	3
						NM 32/20C/A	3	4
						NM 32/20A/B	4	5,5
						NM 32L/16B	3	4
						NM 32L/16A	4	5,5
NM 32L/20B	5,5	7,5						
NM 32L/20A	7,5	10						
NMD 32/210D/B	4	5,5						
NMD 32/210C/A	5,5	7,5						
NMD 32/210B/A	7,5	10						
NMD 32/210A/B	9,2	12,5						
NMD 40/180D/B	4	5,5						
NMD 40/180C/A	5,5	7,5						
NMD 40/180B/A	7,5	10						
NMD 40/180A/B	9,2	12,5						
NM 40/16B/B	3	4						
NM 40/16A/C	4	5,5						
NM 40/20B/A	5,5	7,5						
NM 40/20A/A	7,5	10						
NM 40/25B/C	11	15						
NM 40/25A/C	15	20						
NM 50/16B/B	5,5	7,5						
NM 50/16A/B	7,5	10						
NM 50/20B/C	9,2	12,5						
NM 50/20A/C	11	15						
NM 50/25C/C	11	15						
NM 50/25B/C	15	20						
NM 50/25A/D	18,5	25						
NM 65/16B/C	11	15						
NM 65/16AR	15	20						
NM 65/16A/C	15	20						
NM 65/20C/C	15	20						
NM 65/20B/D	18,5	25						
NM 65/20A/A	22	30						
NM 65/25C/A	22	30						
NMS 65/250B/A	30	40						
NMS 65/250A/A	37	50						
NM 80/16B/C	15	20						
NM 80/16A/D	18,5	25						
NM 80/20B	22	30						
NMS 80/200A	30	40						
NM 80/25E	22	30						
NMS 80/250D	30	40						
NMS 80/250C/A	37	50						
NMS 80/250B/A	45	60						
NMS 80/250A /A	55	75						

BS.. ..-ITT

PUMPS Nos		PUMP TYPE	P ₂	
2	3		For each pump	
			kW	HP
BS2V -ITT	BS3V -ITT	NM 3/C/A-ITT	1,1	1,5
		NM 3/B/A-ITT	1,5	2
		NM 3/A/B-ITT	2,2	3
		NM 25/160B/A-ITT	1,1	1,5
		NM 25/160A/A-ITT	1,5	2
		NM 25/20B/C-ITT	2,2	3
		NM 25/20A/B-ITT	3	4
		NM 25/20S/C-ITT	4	5,5
		NM 32/16B/A-ITT	1,5	2
		NM 32/16A/B-ITT	2,2	3
		NM 32/20D/B-ITT	2,2	3
		NM 32/20C/A-ITT	3	4
		NM 32/20A/B-ITT	4	5,5
		NM 32L/16B-ITT	3	4
		NM 32L/16A-ITT	4	5,5
		NM 32L/20B-ITT	5,5	7,5
		NM 32L/20A-ITT	7,5	10
		NM 40/16C/C-ITT	2,2	3
		NM 40/16B/B-ITT	3	4
		NM 40/16A/C-ITT	4	5,5
		NM 40/20D/B-ITT	4	5,5
		NM 40/20C/B-ITT	4	5,5
		NM 40/20B/A-ITT	5,5	7,5
		NM 40/20AR/A-ITT	5,5	7,5
		NM 40/20A/A-ITT	7,5	10
		NM 40/25C/C-ITT	9,2	12,5
		NM 40/25B/C-ITT	11	15
		NM 40/25A/C-ITT	15	20
		NM 50/16B/B-ITT	5,5	7,5
		NM 50/16A/B-ITT	7,5	10
		NM 50/20B/C-ITT	9,2	12,5
		NM 50/20A/C-ITT	11	15
		NM 50/20S/C-ITT	15	20
		NM 50/25C/C-ITT	11	15
		NM 50/25B/C-ITT	15	20
		NM 50/25A/D-ITT	18,5	25
		NM 65/16D/B-ITT	7,5	10
		NM 65/16C/C-ITT	9,2	12,5
		NM 65/16B/C-ITT	11	15
		NM 65/16AR-ITT	15	20
NM 65/16A/C-ITT	15	20		
NM 65/20C/C-ITT	15	20		
NM 65/20B/D-ITT	18,5	25		
NM 65/20A/A-ITT	22	30		
NM 65/25C/A-ITT	22	30		
NM 80/16E/B-ITT	7,5	10		
NM 80/16D/C-ITT	9,2	12,5		
NM 80/16C/C-ITT	11	15		
NM 80/16B/C-ITT	15	20		
NM 80/16A/D-ITT	18,5	25		
NM 80/20B-ITT	22	30		
NM 80/25E-ITT	22	30		
NM 100/20E/A-ITT	18,5	25		
NM 100/20D-ITT	22	30		

Dimensions and weights



TYPE	Connection		mm						weight
	DN 1	DN 2	Hv	Hf	h1	L1	m1	kg	
BS1.. 1NM 32/16B/A	G 2	G 1	1045	875	175	625	365	-	
BS1.. 1NM 32/16A/B									
BS1.. 1NM 32/20C/A	G 2	G 1	1045	875	205	625	365	-	
BS1.. 1NM 32/20A/B									
BS1.. 1NM 32L/16B	G 2	G 1	1045	875	175	625	365	-	
BS1.. 1NM 32L/16A									
BS1.. 1NM 32L/20B	G 2	G 1	1045	875	205	625	365	-	
BS1.. 1NM 32L/20A									
BS1.. 1NMD 32/210D/B					135				
BS1.. 1NMD 32/210C/A	G 2	G 1 1/4	1045	875	155	625	365	-	
BS1.. 1NMD 32/210B/A					155				
BS1.. 1NMD 32/210A/B					175				
BS1.. 1NMD 40/180D/B					135				
BS1.. 1NMD 40/180C/A	G 2	G 1 1/2	1045	875	155	625	365	-	
BS1.. 1NMD 40/180B/A					155				
BS1.. 1NMD 40/180A/B					175				
BS1.. 1NM 40/16B/B	G 2 1/2	G 1 1/2	1045	875	175	625	365	-	
BS1.. 1NM 40/16A/C									
BS1.. 1NM 40/20B/A	G 2 1/2	G 1 1/2	1145	875	205	625	365	-	
BS1.. 1NM 40/20A/A				1145					
BS1.. 1NM 40/25B/C	G 2 1/2	G 1 1/2	-	-	-	-	-	-	
BS1.. 1NM 40/25A/C									
BS1.. 1NM 50/16B/B	G 2 1/2	G 2	-	-	-	-	-	-	
BS1.. 1NM 50/16A/B									
BS1.. 1NM 50/20B/C	G 2 1/2	G 2	-	-	-	-	-	-	
BS1.. 1NM 50/20A/C									
BS1.. 1NM 50/25C/D	G 2 1/2	G 2	-	-	-	-	-	-	
BS1.. 1NM 50/25B/C									
BS1.. 1NM 50/25A/C									
BS1.. 1NM 65/16B/C	G 3	G 2 1/2	-	-	-	-	-	-	
BS1.. 1NM 65/16A/R									
BS1.. 1NM 65/16A/C									
BS1.. 1NM 65/20C/C	G 3	G 2 1/2	-	-	-	-	-	-	
BS1.. 1NM 65/20B/C									
BS1.. 1NM 65/20A/A									
BS1.. 1NM 65/25C/A	G 3	G 2 1/2	-	-	-	-	-	-	
BS1.. 1NMS 65/250B/A									
BS1.. 1NMS 65/250A/A									
BS1.. 1NM 80/16B/C	100	80	-	-	-	-	-	-	
BS1.. 1NM 80/16A/B									
BS1.. 1NM 80/20B	100	80	-	-	-	-	-	-	
BS1.. 1NMS 80/200A									
BS1.. 1NM 80/25E									
BS1.. 1NMS 80/250D									
BS1.. 1NMS 80/250C/A	100	80	-	-	-	-	-	-	
BS1.. 1NMS 80/250B/A									
BS1.. 1NMS 80/250A/A									

Dimensions not binding to be verified when ordering

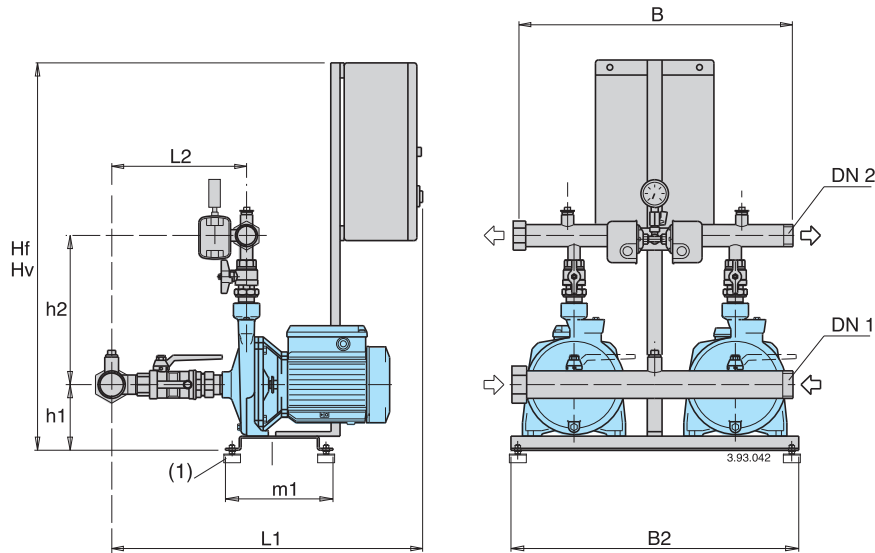
(1) Anti-vibration pads kit supplied loose as standard

Dimensions on request

Hf= Fixed speed boosting sets

Hv= Variable speed boosting sets

Dimensions and weights



TYPE	Connection		mm									weight kg
	DN 1	DN 2	Hf	Hv	h1	h2	L1	L2	m1	B	B2	
BS.. 2NMD 20/110B/A	G 2	G 1 1/2	840		129	277	670	315	235	600	625	51
BS.. 2NMD 20/110A/B					129	277	670	315				
BS.. 2NM 2/A/B	G 2	G 1 1/2	840		129	295	620	262	235	600	625	54
BS.. 2NMD 20/140B/A					146	295	670	320				
BS.. 2NMD 20/140A/A	G 2	G 1 1/2	840		146	295	670	320	235	600	625	77
BS.. 2NM 3/C/A					156	307	650	254				
BS.. 2NM 3/B/A	G 2	G 1 1/2	867		156	307	650	254	365	600	625	76
BS.. 2NM 3/A/B					156	307	650	254				
BS.. 2NM 25/20B/C	G 2 1/2	G 2	840		160	330	725	373	235	600	625	87
BS.. 2NM 25/20A/B					160	330	725	373				
BS.. 2NM 25/20S/C	G 2 1/2	G 2	840		160	330	725	373	235	600	625	114
BS.. 2NMD 25/190C/B					175	330	760	407				
BS.. 2NMD 25/190B/A	G 2 1/2	G 2	840		175	330	760	407	235	600	625	123
BS.. 2NMD 25/190A/B					175	330	760	407				
BS.. 2NM 32/16B/A	G 3	G 2 1/2	830	1210	266	345	304	389	476	600	625	
BS.. 2NM 32/16A/B				830	1210	266	389					
BS.. 2NM 32/20C/A	G 3	G 2 1/2	830	1210	294	365	324	389	476	600	625	
BS.. 2NM 32/20A/B				830	1210	294	389					
BS.. 2NMD 32/210D/B	G 3	G 2 1/2	890	1270	245	380	460	440	550	700	800	
BS.. 2NMD 32/210C/A				890	1370	272	440					
BS.. 2NMD 32/210B/A	G 3	G 2 1/2	1370	1370	272	460	475	435	550	700	800	
BS.. 2NMD 32/210A/B				1370	1670	307	510					
BS.. 2NMD 40/180D/B	G 3	G 2 1/2	890	1270	245	460	475	415	550	700	800	
BS.. 2NMD 40/180C/A				890	1370	272	435					
BS.. 2NMD 40/180B/A	G 3	G 2 1/2	1370	1370	272	460	475	435	550	700	800	
BS.. 2NMD 40/180A/B				1370	1670	307	510					

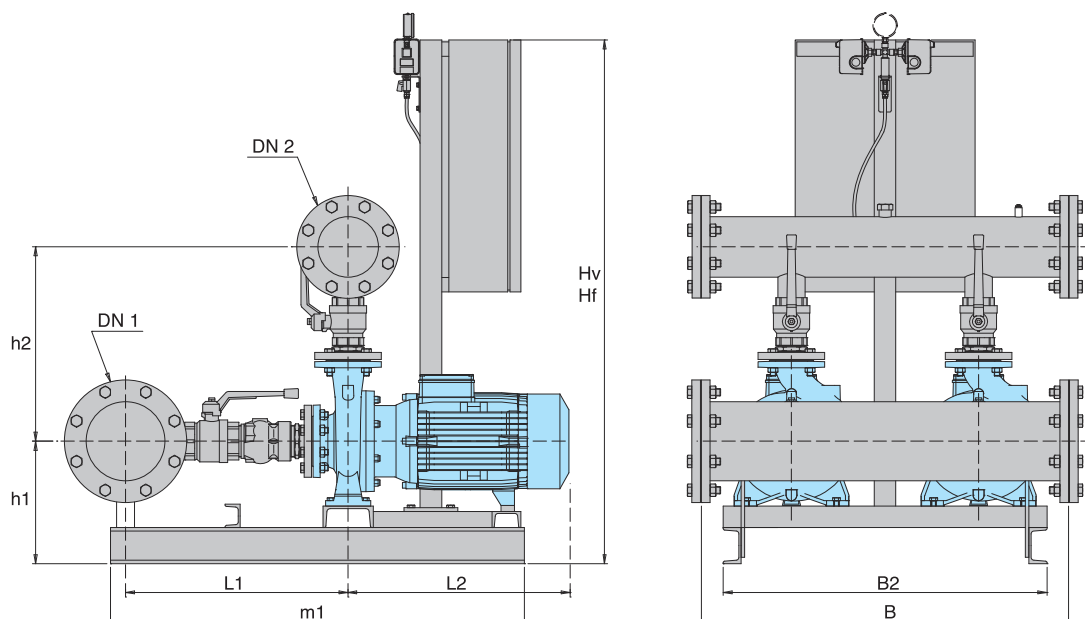
Dimensions not binding to be verified when ordering

Dimensions on request

Hf= Fixed speed boosting sets
Hv= Variable speed boosting sets

(1) Anti-vibration pads kit supplied loose as standard

Dimensions and weights



TYPE	Connection		mm									weight kg
	DN 1	DN 2	Hf	Hv	h1	h2	L1	L2	m1	B	B2	
BS.. 2NM 32L/16B	100	80	830	1210	280	387	487	330	476	820	800	-
BS.. 2NM 32L/16A			830	1210	280			370				
BS.. 2NM 32L/20B	100	80	830	1310	320	407	507	395	1040	820	900	-
BS.. 2NM 32L/20A			1310	1310	320			395				
BS.. 2NM 40/16B/B	100	80	830	1210	280	387	487	395	476	820	800	-
BS.. 2NM 40/16A/C			830	1210	280			395				
BS.. 2NM 40/20B/A	100	80	830	1310	320	407	507	425	1040	820	900	-
BS.. 2NM 40/20A/C			1310	1310	320			425				
BS.. 2NM 40/25B/C	100	80	1455	1755	340	452	507	540	1040	820	900	-
BS.. 2NM 40/25A/C			1455	1755	340			615				
BS.. 2NM 50/16B/B	125	100	975	1455	315	435	515	425	-	920	-	-
BS.. 2NM 50/16A/B			1455	1455	315			425				
BS.. 2NM 50/20B/C	125	100	1455	1755	315	455	515	540	-	920	-	-
BS.. 2NM 50/20A/C			1455	1755	315			540				
BS.. 2NM 50/25C/D	125	100	1455	1755	340	480	515	545	-	920	-	-
BS.. 2NM 50/25B/C			1455	1755	340			620				
BS.. 2NM 50/25A/D	125	100	1455	1855	340	515	515	620	-	920	-	-
BS.. 2NM 65/16B/C			1455	1755	320			620				
BS.. 2NM 65/16AR	200	150	1455	1755	320	525	625	540	-	1020	-	-
BS.. 2NM 65/16A/C			1455	1755	320			615				
BS.. 2NM 65/20C/C	200	150	1455	1755	340	550	625	615	-	1020	-	-
BS.. 2NM 65/20B/C			1455	1855	340			615				
BS.. 2NM 65/20A/A	200	150	1655	1855	340	575	625	725	-	1200	-	-
BS.. 2NM 65/25C/A			1655	1855	360			725				
BS.. 2NMS 65/250B/A	200	150	1655	1855	360	575	625	725	-	1200	-	-
BS.. 2NMS 65/250A/A			1855	1600*	360			975				
BS.. 2NM 80/16B/C	250	200	1455	1755	340	615	730	620	-	1050	-	-
BS.. 2NM 80/16A/D			1455	1855	340			620				
BS.. 2NM 80/20B	250	200	1655	1855	360	640	730	725	-	1200	-	-
BS.. 2NMS 80/200A			1655	1855	360			725				
BS.. 2NM 80/25E	250	200	1655	1855	360	670	730	725	-	1200	-	-
BS.. 2NMS 80/250D			1655	1855	360			725				
BS.. 2NMS 80/250C/A	250	200	1855	1600*	310	670	730	975	-	1200	-	-
BS.. 2NMS 80/250B/A			1400*	2100*	310			1040				
BS.. 2NMS 80/250A/A	250	200	1400*	2100*	310	670	730	1110	-	1200	-	-
BS.. 2NMS 80/250A/A			1400*	2100*	310			1110				

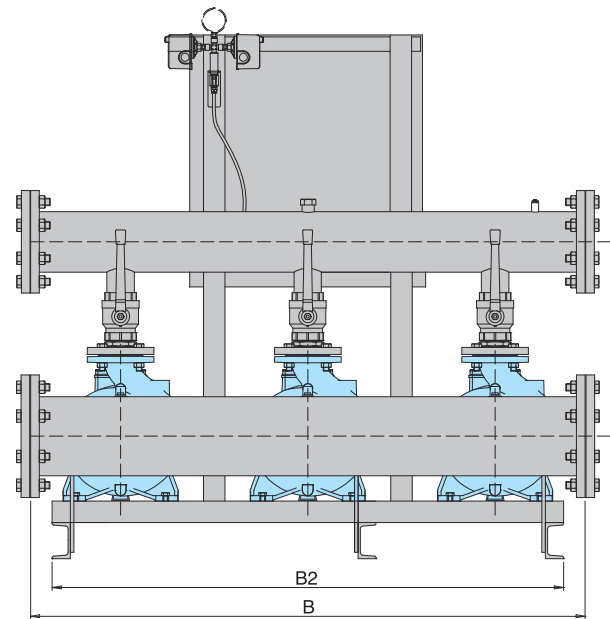
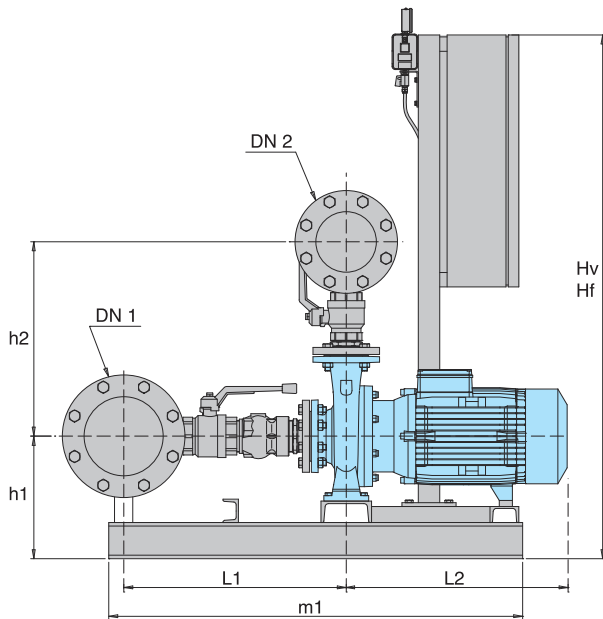
Dimensions not binding to be verified when ordering

Dimensions on request

Hf= Fixed speed boosting sets
Hv= Variable speed boosting sets

* Cabinet version

Dimensions and weights



TYPE	Connection		mm										weight kg
	DN 1	DN 2	Hf	Hv	h1	h2	L1	L2	m1	B	B2		
BS.. 3NM 40/16B/B	125	100	830	1310	292	400	500	395	1100	1340	1400	-	
BS.. 3NM 40/16A/C			830	1310	292			395					
BS.. 3NM 40/20B/A			830	1610	320			425					
BS.. 3NM 40/20A/A	125	100	1410	1610	320	465	520	425	1100	1340	1400	-	
BS.. 3NM 40/25B/B			1555	1700*	340			615					
BS.. 3NM 40/25A/B			1555	1700*	340			615					
BS.. 3NM 50/16B/B	150	125	975	1755	315	448	525	425	-	1340	-	-	
BS.. 3NM 50/16A/B			1555	1755	315			425					
BS.. 3NM 50/20B/C	150	125	1555	1700*	315	468	525	540	-	1340	-	-	
BS.. 3NM 50/20A/C			1555	1700*	315			540					
BS.. 3NM 50/25C/D			1555	1700*	340			545					
BS.. 3NM 50/25B/C	150	125	1555	1700*	340	493	525	620	-	1440	-	-	
BS.. 3NM 50/25A/D			1755	1700*	340			620					
BS.. 3NM 65/16B/C			1555	1700*	320			540					
BS.. 3NM 65/16A/R	250	200	1555	1700*	320	555	650	540	-	1540	-	-	
BS.. 3NM 65/16A/C			1555	1700*	320			615					
BS.. 3NM 65/20C/C			1555	1700*	340			615					
BS.. 3NM 65/20B/C	250	200	1755	1700*	340	580	650	615	-	1900	-	-	
BS.. 3NM 65/20A/A			1855	1700*	340			725					
BS.. 3NM 65/25C/A			1855	1700*	360			725					
BS.. 3NMS 65/250B/A	250	200	1855	1700*	260	605	650	725	-	1900	-	-	
BS.. 3NMS 65/250A/A			1545	-	310			975					
BS.. 3NM 80/16B/C			300	250	1555			1700*					340
BS.. 3NM 80/16A/D	1755	1700*			240	620							
BS.. 3NM 80/20B	300	250	1855	1700*	360	670	755	725	-	1900	-	-	
BS.. 3NMS 80/200A			1855	1700*	260			725					
BS.. 3NM 80/25E			1855	1700*	360			725					
BS.. 3NMS 80/250D	300	250	1855	1700*	260	700	755	725	-	1900	-	-	
BS.. 3NMS 80/250C/A			1400*	-	310			975					
BS.. 3NMS 80/250B/A			1400*	-	310			1040					
BS.. 3NMS 80/250A/A			1400*	-	310			1110					

Dimensions not binding to be verified when ordering

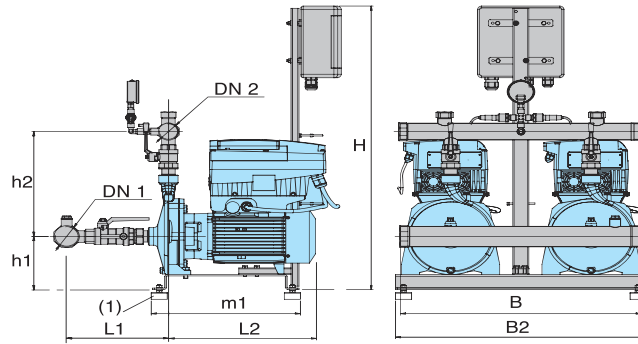
Dimensions on request

Hf= Fixed speed boosting sets

Hv= Variable speed boosting sets

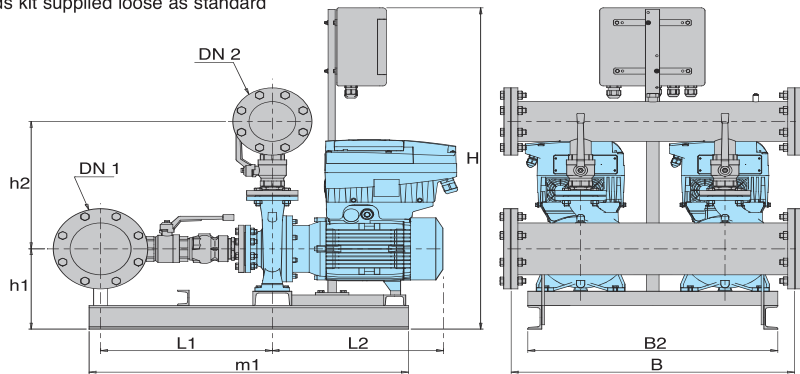
* Cabinet version

Dimensions and weights



TYPE	Motor			Connection		mm							weight kg	
	kW	HP	A	DN 1	DN 2	H	h1	h2	L1	L2	m1	B		B2
BS2V 2NM 3/C/A-ITT	1,1 x2	1,5 x2	2,7 x2	G 2	G 1 1/2	876	156	307	254	325	365	600	625	
BS2V 2NM 3/B/A-ITT	1,5 x2	2 x2	4,3 x2			876				325				
BS2V 2NM 3/A/B-ITT	2,2 x2	3 x2	5,3 x2			876				365				
BS2V 2NM 25/160B/A-ITT	1,1 x2	1,5 x2	2,7 x2	G 2	G 1 1/2	876	135	305	273	324	365	600	625	
BS2V 2NM 25/160A/A-ITT	1,5 x2	2 x2	4,3 x2			876				324				
BS2V 2NM 25/20B/C-ITT	2,2 x2	3 x2	5,3 x2			876				370				
BS2V 2NM 25/20A/B-ITT	3 x2	4 x2	6,6 x2	G 2 1/2	G 2	883	169	330	373	397	365	600	625	
BS2V 2NM 25/20S/C-ITT	4 x2	5,5 x2	9,6 x2			883				397				
BS2V 2NM 32/16B/A-ITT	1,5 x2	2 x2	4,3 x2			876				330				
BS2V 2NM 32/16A/B-ITT	2,2 x2	3 x2	5,3 x2	G 3	G 2 1/2	876	266	304	389	330	476	600	625	
BS2V 2NM 32/20D/B-ITT	2,2 x2	3 x2	5,3 x2			876				370				
BS2V 2NM 32/20C/A-ITT	3 x2	4 x2	6,6 x2			876				370				
BS2V 2NM 32/20A/B-ITT	4 x2	5,5 x2	9,6 x2	G 3	G 2 1/2	876	294	324	389	395	476	600	625	
BS2V 2NM 32/20E/A-ITT	1,5 x2	2 x2	4,3 x2			876				395				
BS2V 2NM 32/20D-ITT	2,2 x2	3 x2	5,3 x2			876				395				

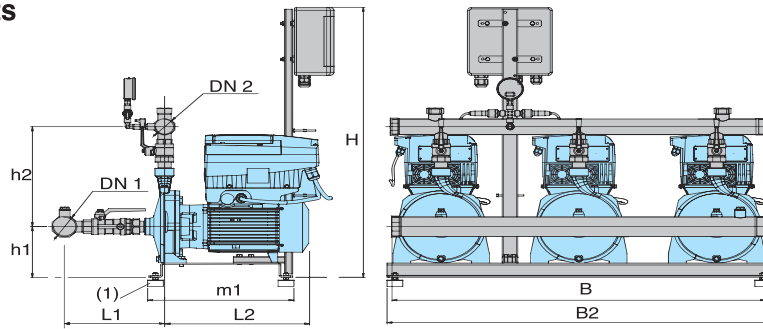
(1) Anti-vibration pads kit supplied loose as standard



TYPE	Motor			Connection		mm							weight kg	
	kW	HP	A	DN 1	DN 2	H	h1	h2	L1	L2	m1	B		B2
BS2V 2NM 32L/16B-ITT	3 x2	4 x2	6,6 x2	100	80	897	280	387	487	330	476	820	800	
BS2V 2NM 32L/16A-ITT	4 x2	5,5 x2	9,6 x2			897				370				
BS2V 2NM 32L/20B-ITT	5,5 x2	7,5 x2	10,8 x2	100	80	897	320	407	507	395	1040	820	900	
BS2V 2NM 32L/20A-ITT	7,5 x2	10 x2	14,3 x2			897				395				
BS2V 2NM 40/16C/C-ITT	2,2 x2	3 x2	5,3 x2	100	80	897	280	387	487	370	476	820	800	
BS2V 2NM 40/16B/B-ITT	3 x2	4 x2	6,6 x2			897				395				
BS2V 2NM 40/16A/C-ITT	4 x2	5,5 x2	9,6 x2	100	80	897	280	387	487	395	476	820	800	
BS2V 2NM 40/20D/B-ITT	4 x2	5,5 x2	9,6 x2			897				395				
BS2V 2NM 40/20C/B-ITT	4 x2	5,5 x2	9,6 x2	100	80	897	309	407	507	425	1040	820	900	
BS2V 2NM 40/20A/A-ITT	5,5 x2	7,5 x2	10,8 x2			897				425				
BS2V 2NM 40/20AR/A-ITT	5,5 x2	7,5 x2	10,8 x2	100	80	897	320	407	507	425	1040	820	900	
BS2V 2NM 40/20A-ITT	7,5 x2	10 x2	14,3 x2			897				425				
BS2V 2NM 40/25C/C-ITT	9,2 x2	12,5 x2	18,5 x2	100	80	977	340	452	507	540	1040	820	-	
BS2V 2NM 40/25B/C-ITT	11 x2	15 x2	21,5 x2			977				615				
BS2V 2NM 40/25A/C-ITT	15 x2	20 x2	27,3 x2	100	80	977	340	452	507	590	1040	820	-	
BS2V 2NM 50/16B/B-ITT	5,5 x2	7,5 x2	10,8 x2			977				615				
BS2V 2NM 50/16A/B-ITT	7,5 x2	10 x2	14,3 x2	125	100	977	315	435	515	425	-	920	-	
BS2V 2NM 50/20B/C-ITT	9,2 x2	12,5 x2	18,5 x2			977				425				
BS2V 2NM 50/20A/C-ITT	11 x2	15 x2	21,5 x2	125	100	977	315	455	515	590	-	920	-	
BS2V 2NM 50/20S/C-ITT	15 x2	20 x2	27,3 x2			977				620				
BS2V 2NM 50/25C/C-ITT	11 x2	15 x2	21,5 x2	125	100	977	340	480	515	595	-	920	-	
BS2V 2NM 50/25B/C-ITT	15 x2	20 x2	27,3 x2			977				620				
BS2V 2NM 50/25A/D-ITT	18,5 x2	25 x2	34 x2	125	100	977	340	480	515	620	-	920	-	
BS2V 2NM 65/16D/B-ITT	7,5 x2	10 x2	14,3 x2			977				620				
BS2V 2NM 65/16C/C-ITT	9,2 x2	12,5 x2	18,5 x2	200	150	977	320	525	625	540	-	1020	-	
BS2V 2NM 65/16B/C-ITT	11 x2	15 x2	21,5 x2			977				540				
BS2V 2NM 65/16A/C-ITT	15 x2	20 x2	27,3 x2	200	150	977	320	525	625	540	-	1020	-	
BS2V 2NM 65/20C/C-ITT	15 x2	20 x2	27,3 x2			977				615				
BS2V 2NM 65/20B/D-ITT	18,5 x2	25 x2	34 x2	200	150	977	340	550	730	620	-	1200	-	
BS2V 2NM 65/20A/A-ITT	22 x2	30 x2	41 x2			977				620				
BS2V 2NM 65/25C/A-ITT	22 x2	30 x2	41 x2	200	150	977	360	575	725	620	-	1200	-	
BS2V 2NM 80/16E/B-ITT	7,5 x2	10 x2	14,3 x2			977				620				
BS2V 2NM 80/16D/C-ITT	9,2 x2	12,5 x2	18,5 x2	250	200	977	-	615	-	545	-	1050	-	
BS2V 2NM 80/16C/C-ITT	11 x2	15 x2	21,5 x2			977				545				
BS2V 2NM 80/16B/C-ITT	15 x2	20 x2	27,3 x2	250	200	977	340	-	-	620	-	1050	-	
BS2V 2NM 80/16A/D-ITT	18,5 x2	25 x2	34 x2			977				620				
BS2V 2NM 80/20B-ITT	22 x2	30 x2	41 x2	250	200	-	360	640	725	620	-	1200	-	
BS2V 2NM 80/25E-ITT	22 x2	30 x2	41 x2			-				360				
BS2V 2NM 100/20E/A-ITT	18,5 x2	25 x2	34 x2	300	250	1490	410	770	1083	662	1835	1200	1200	
BS2V 2NM 100/20D-ITT	22 x2	30 x2	41 x2			1490				662				

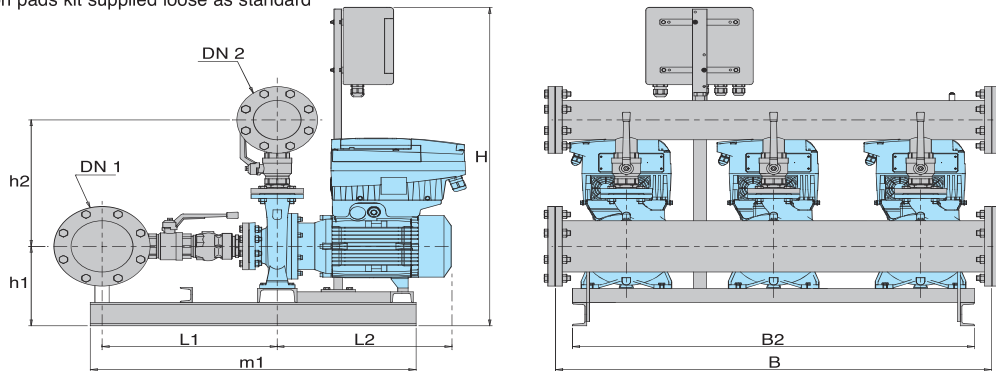
Dimensions not binding to be verified when ordering

Dimensions and weights



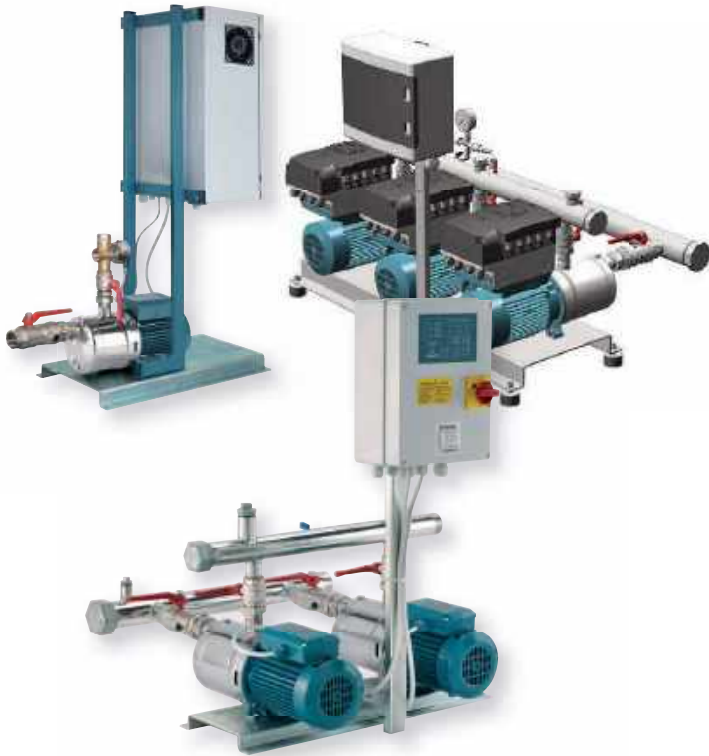
TYPE	Motor			Connection		mm								weight kg
	kW	HP	A	DN 1	DN 2	H	h1	h2	L1	L2	m1	B	B2	
BS3V 3NM 3/C/A-ITT	1,1 x3	1,5 x3	2,7 x3			876				325				
BS3V 3NM 3/B/A-ITT	1,5 x3	2 x3	4,3 x3	G 2 1/2	G 2	876	171	316	-	325	406	950	1000	
BS3V 3NM 3/A/B-ITT	2,2 x3	3 x3	5,3 x3			876				365				
BS3V 3NM 25/160B/A-ITT	1,1 x3	1,5 x3	2,7 x3	G 2	G 2	876	135	290	-	324	406	950	1000	
BS3V 3NM 25/160A/A-ITT	1,5 x3	2 x3	4,3 x3			876								
BS3V 3NM 25/20B/C-ITT	2,2 x3	3 x3	5,3 x3			876				370				
BS3V 3NM 25/20A/B-ITT	3 x3	4 x3	6,6 x3	G 3	G 2 1/2	883	184	316	-	397	406	950	1000	
BS3V 3NM 25/20S/C-ITT	4 x3	5,5 x3	9,6 x3			883				397				

(1) Anti-vibration pads kit supplied loose as standard

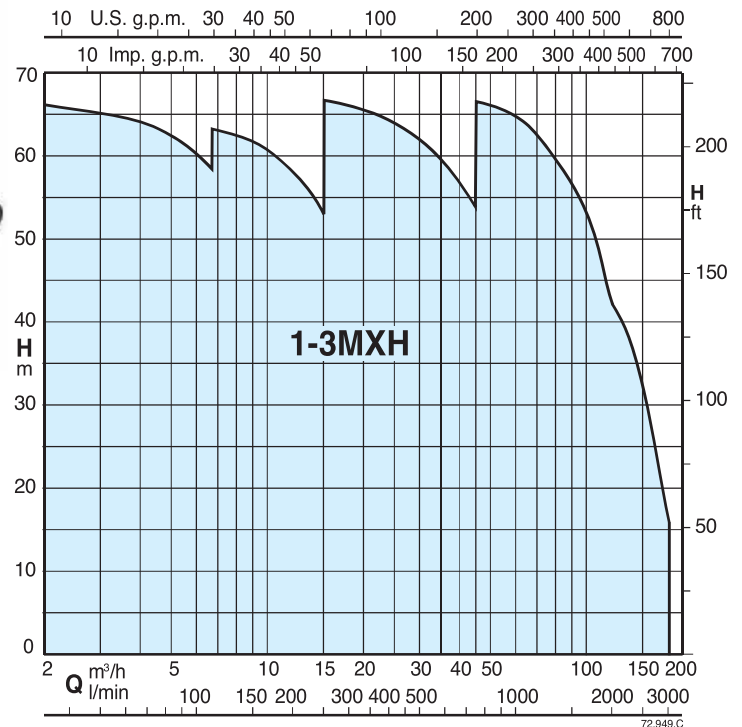


TYPE	Motor			Connection		mm								weight kg
	kW	HP	A	DN 1	DN 2	H	h1	h2	L1	L2	m1	B	B2	
BS3V 3NM 32/16B/A-ITT	1,5 x3	2 x3	4,3 x3	100	80	876	165	-	-	330	-	950	-	
BS3V 3NM 32/16A/B-ITT	2,2 x3	3 x3	5,3 x3			876	165			370				
BS3V 3NM 32/20D/B-ITT	2,2 x3	3 x3	5,3 x3			876	195			370				
BS3V 3NM 32/20C/A-ITT	3 x3	4 x3	6,6 x3	100	80	876	195	-	-	395	-	950	-	
BS3V 3NM 32/20A/B-ITT	4 x3	5,5 x3	9,6 x3			876	195			395				
BS3V 3NM 32L/16-ITT	3 x3	4 x3	6,6 x3			876	292	400	500	330	1100	1340	1400	
BS3V 3NM 32L/16A-ITT	4 x3	5,5 x3	9,6 x3	125	100	876	292			370				
BS3V 3NM 32L/20B-ITT	5,5 x3	7,5 x3	10,8 x3			876	320	420	500	395	1100	1340	1400	
BS3V 3NM 32L/20A-ITT	7,5 x3	10 x3	14,3 x3	125	100	876	320			395				
BS3V 3NM 40/16C/C-ITT	2,2 x3	3 x3	5,3 x3			897	292			370				
BS3V 3NM 40/16B/B-ITT	3 x3	4 x3	6,6 x3	125	100	897	292	400	500	395	1100	1340	1400	
BS3V 3NM 40/16A/C-ITT	4 x3	5,5 x3	9,6 x3			897	292			395				
BS3V 3NM 40/20D/B-ITT	4 x3	5,5 x3	9,6 x3			897	320			395				
BS3V 3NM 40/20C/B-ITT	4 x3	5,5 x3	9,6 x3			897	320			395				
BS3V 3NM 40/20B/A-ITT	5,5 x3	7,5 x3	10,8 x3			897	320	420	520	425	1100	1340	1400	
BS3V 3NM 40/20A/A-ITT	5,5 x3	7,5 x3	10,8 x3	125	100	897	320			425				
BS3V 3NM 40/20A/A-ITT	7,5 x3	10 x3	14,3 x3			897	320			425				
BS3V 3NM 40/25C/C-ITT	9,2 x3	12,5 x3	18,5 x3			977	340			540				
BS3V 3NM 40/25B/C-ITT	11 x3	15 x3	21,5 x3	125	100	977	340	465	520	590	1100	1340	1400	
BS3V 3NM 40/25A/D-ITT	15 x3	20 x3	27,3 x3			977	340			615				
BS3V 3NM 50/16B/B-ITT	5,5 x3	7,5 x3	10,8 x3			977	315	448	525	425	-	1340	-	
BS3V 3NM 50/16A/B-ITT	7,5 x3	10 x3	14,3 x3	150	125	977	315			425				
BS3V 3NM 50/20B/C-ITT	9,2 x3	12,5 x3	18,5 x3			977	315			540				
BS3V 3NM 50/20A/C-ITT	11 x3	15 x3	21,5 x3	150	125	977	315	468	525	590	-	1340	-	
BS3V 3NM 50/20S/C-ITT	15 x3	20 x3	27,3 x3			977	315			620				
BS3V 3NM 50/25C/C-ITT	11 x3	15 x3	21,5 x3			977	340			595		1440		
BS3V 3NM 50/25B/C-ITT	15 x3	20 x3	27,3 x3			977	340	493	525	620	-	1440	-	
BS3V 3NM 50/25A/D-ITT	18,5 x3	25 x3	34 x3	150	125	977	340			620				
BS3V 3NM 65/16D/B-ITT	7,5 x3	10 x3	14,3 x3			977	320			425				
BS3V 3NM 65/16C/C-ITT	9,2 x3	12,5 x3	18,5 x3			977	320			540				
BS3V 3NM 65/16B/C-ITT	11 x3	15 x3	21,5 x3	250	200	977	320	555	650	540	-	1540	-	
BS3V 3NM 65/16A/R-ITT	15 x3	20 x3	27,3 x3			977	320			540				
BS3V 3NM 65/16A/C-ITT	15 x3	20 x3	27,3 x3			977	320			615				
BS3V 3NM 65/20C/C-ITT	15 x3	20 x3	27,3 x3			977	340			445		1540		
BS3V 3NM 65/20B/D-ITT	18,5 x3	25 x3	34 x3	250	200	977	340	580	-	570	-	1900	-	
BS3V 3NM 65/20A/A-ITT	22 x3	30 x3	41 x3			977	340		755	620		1900		
BS3V 3NM 65/25C/A-ITT	22 x3	30 x3	41 x3	250	200	977	360	605	-	725	-	1900	-	
BS3V 3NM 80/16E/B-ITT	7,5 x3	10 x3	14,3 x3			977	340			420				
BS3V 3NM 80/16D/C-ITT	9,2 x3	12,5 x3	18,5 x3			977	340			545				
BS3V 3NM 80/16C/C-ITT	11 x3	15 x3	21,5 x3	300	250	977	340	645	-	595	-	1900	-	
BS3V 3NM 80/16B/C-ITT	15 x3	20 x3	27,3 x3			977	340			620				
BS3V 3NM 80/16A/D-ITT	18,5 x3	25 x3	34 x3			977	340			620				
BS3V 3NM 80/20B-ITT	22 x3	30 x3	41 x3	300	250	-	360	670	-	725	-	1900	-	
BS3V 3NM 80/25E-ITT	22 x3	30 x3	41 x3	300	250	-	360	700	-	725	-	1900	-	
BS3V 3NM 100/20E/A-ITT	18,5 x3	25 x3	34 x3			-	-	-	-	662	-	1900	-	
BS3V 3NM 100/20D-ITT	22 x3	30 x3	41 x3	350	300	-	-	-	-	-	-	1900	-	

Dimensions not binding to be verified when ordering



Coverage chart



Operation

BS 1-6F Pressure boosting sets with 1 to 6 fixed speed pump. Sets with 4,5 and 6 pumps on request.
Depending on the reduction of the pressure in the system, the pressure switches determine the starting up of the pumps in sequence and the microprocessor alternates the starts.

BS2-3V Pressure boosting sets with 2 to 3 variable speed pumps (with I-MAT).
Depending on water consumption, one or more pumps are activated, all at variable speed, in order to guarantee the quantity of water required at the set pressure.

BS1-3V Pressure boosting sets with 1 to 3 variable speed pumps (with EASYMAT).
Depending on water consumption, one or more pumps are activated, all at variable speed, in order to guarantee the quantity of water required at the set pressure.

BS1V2-5F Pressure boosting sets with 1 variable speed pump (with frequency converter into the control panel) and from 1 to 5 fixed speed pumps. Sets with 4,5 and 6 pumps on request.
According to the water consumption, one or more pumps start, one at variable speed and the others at fixed speed, to grant the water quantity required at the set pressure.

BS1-6V Pressure boosting sets with 1 to 6 variable speed pumps (with frequency converter into the control panel). Sets with 4,5 and 6 pumps on request.
Depending on water consumption, one or more pumps are activated, all at variable speed, in order to guarantee the quantity of water required at the set pressure.

Construction

- Automatic pressure boosting plant consisting of 1 to 6 horizontal multi-stage pumps complete with ball, non return valve on the suction side and ball valves on the delivery side.

Suction and delivery manifolds for boosting sets with 2,3 pumps:
- stainless steel AISI 304.
Connections are located on the delivery manifold for the installation of vessels G1 connection.

Electrical control boards:
- with microprocessor for fixed speed pump units. Motor starting is D.O.L. up to 5,5 kW and Y/Δ for power rating 7,5 kW.
- with frequency converter for variable speed pump units.

The unit includes one pressure gauge and three adjustable differential pressure switches or pressure transducer.

Applications

To supply water in civil and industrial buildings.
As pressure boosting pump to increase water pressure when needed (follow local rules).

Motors

2-pole induction motors, 50 Hz, $n \approx 2900$ rpm, suitable for operation with frequency converter.
- Three-phase 230/400V $\pm 10\%$ up to 3 kW;
400/690V $\pm 10\%$ for 4 kW to 7,5 kW;
- Single-phase 230 V $\pm 10\%$, with thermal protector.
Insulation class F.
Protection IP 54.
Constructed in accordance with: IEC 60034.
Other voltages and frequencies on request.

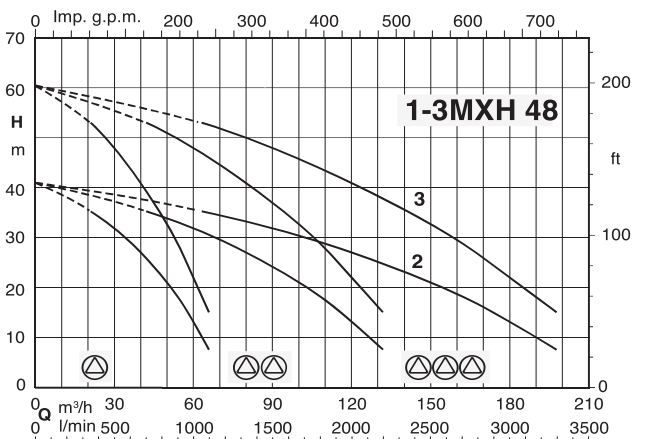
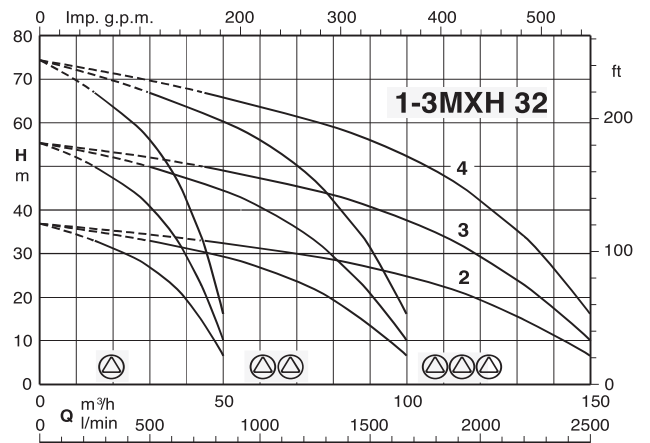
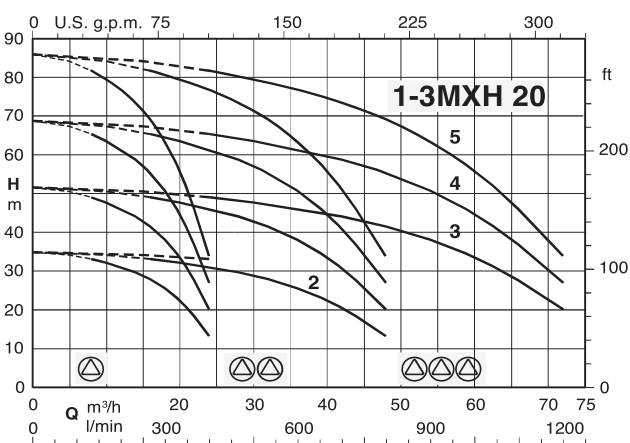
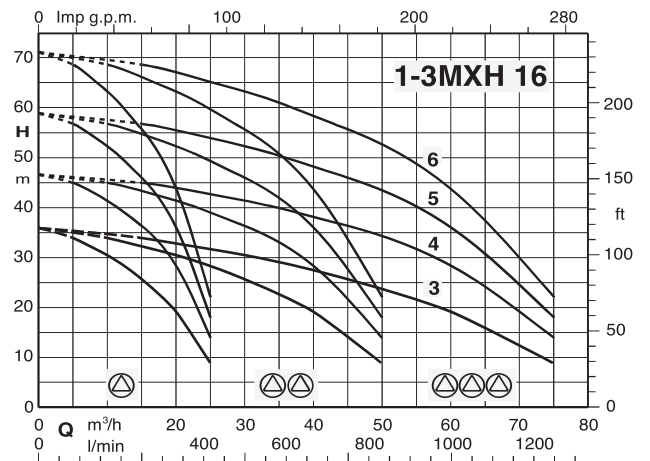
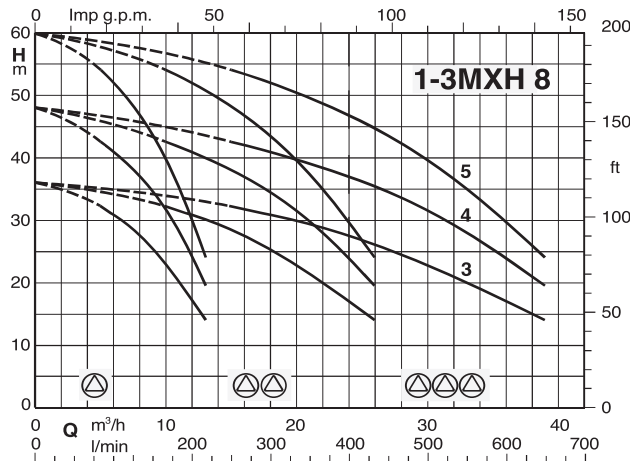
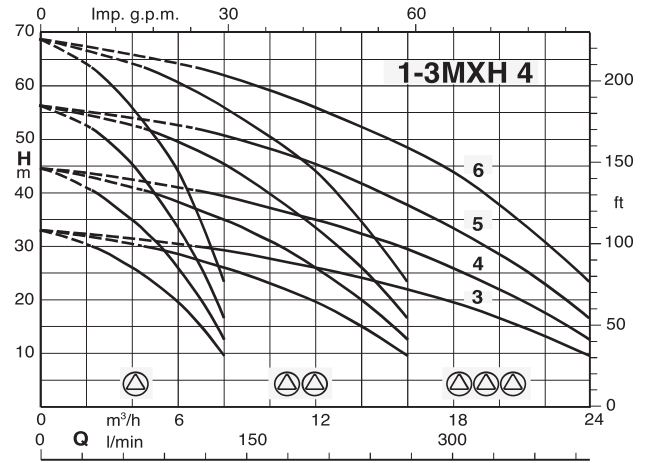
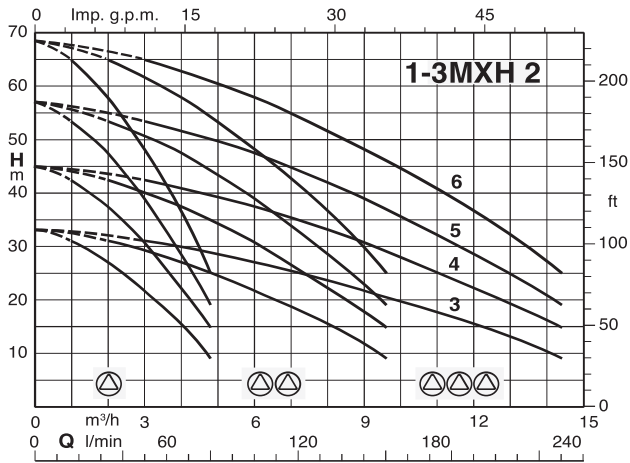
Vessels on request

When installing the unit, connect in the delivery section to a diaphragm or galvanised tank.
The recommended sized are shown in the following page.

Special features on request

Pressure boosting sets with 4,5 and 6 pumps.

Coverage chart



Performance

BS1F

BSM1F

Mains: 400V 3~ Motor: 400V 3~	Mains: 230V 1~ Motor: 230V 1~	Motor		Pres. switch 1 bar		Maximum capacity *		Vessel Membrane litre	Vessel litre
		kW	HP	min	max	Q l/min	H m		
BS1F 1MXH 203E	BSM1F 1MXHM 203E	0,45	0,6	1,4	2,8	70	14	24	100
BS1F 1MXH 204/A	BSM1F 1MXHM 204/A	0,55	0,75	2,8	4	55	29	40	100
BS1F 1MXH 205/B	BSM1F 1MXHM 205/A	0,75	1	3,5	5	56	36	50	100
BS1F 1MXH 206/C	BSM1F 1MXHM 206	1,1	1,5	4	6	61	41	50	100
BS1F 1MXH 403/A	BSM1F 1MXHM 403/A	0,55	0,75	1,4	2,6	122	14	60	100
BS1F 1MXH 404/B	BSM1F 1MXHM 404/A	0,75	1	2,4	3,6	107	24	80	200
BS1F 1MXH 405/C	BSM1F 1MXHM 405	1,1	1,5	3,4	4,9	102	35	100	200
BS1F 1MXH 406/A	BSM1F 1MXHM 406	1,5	2	4	6	111	41	100	200
BS1F 1MXH 803/A	BSM1F 1MXHM 803	1,1	1,5	1,6	2,8	209	16	100	300
BS1F 1MXH 804/A	BSM1F 1MXHM 804	1,5	2	2,8	4	186	29	200	300
BS1F 1MXH 805/B		1,8	2,5	3,5	5	186	36	200	500
BS1F 1MXH 1603/B		1,8	2,5	1,5	3	382	15	300	500
BS1F 1MXH 1604/A		3	4	2,8	4	353	29	500	1000
BS1F 1MXH 1605/B		3,7	5	3,8	5,3	331	39	500	1000
BS1F 1MXH 1606/B		4	5,5	4,5	6,5	329	46	500	800
BS1F 1MXH 2002/A		1,8	2,5	1,5	2,8	399	15	300	500
BS1F 1MXH 2003		3	4	3	4,5	367	31	500	1000
BS1F 1MXH 2004/A		4	5,5	4,4	5,9	348	45	1000	1500
BS1F 1MXH 2005		5,5	7,5	5,5	7	343	56	1000	1500
BS1F 1MXH-F 3202/B		4	5,5	1,5	3	770	15	1000	2000
BS1F 1MXH-F 3203/A		5,5	7,5	3	4,5	682	31	1000	2000
BS1F 1MXH-F 3204/A		7,5	10	4	6	725	41	1500	3000
BS1F 1MXH-F 4802/A		5,5	7,5	1,5	3	975	15	1500	2000
BS1F 1MXH-F 4803/A		7,5	10	3	4,5	886	31	2000	3000

* Maximum pumps flow at minimum setting pressure switch.

BS2F

BSM2F

Mains: 400V 3~ Motor: 400V 3~	Alimentazione 230V 1~ Motore 230V 1~	Motor		Pres. switch 1 bar		Pres. switch 2 bar		Maximum capacity *		Vessel Membrane litre	Vessel litre
		kW	HP	min	max	min	max	Q l/min	H m		
BS2F 2MXH 203E	BSM2F 2MXHM 203E	0,45 x2	0,6 x2	1,4	2,8	1	2,4	156	10	24	100
BS2F 2MXH 204/A	BSM2F 2MXHM 204/A	0,55 x2	0,75 x2	2,8	4	2,4	3,6	128	24	40	100
BS2F 2MXH 205/B	BSM2F 2MXHM 205/A	0,75 x2	1 x2	3,5	5	3	4,5	130	31	50	100
BS2F 2MXH 206/C	BSM2F 2MXHM 206	1,1 x2	1,5 x2	4	6	3,5	5,5	136	36	50	100
BS2F 2MXH 403/A	BSM2F 2MXHM 403/A	0,55 x2	0,75 x2	1,4	2,6	1	2,2	264	10	60	100
BS2F 2MXH 404/B	BSM2F 2MXHM 404/A	0,75 x2	1 x2	2,4	3,6	2	3,2	237	20	80	200
BS2F 2MXH 405/C	BSM2F 2MXHM 405	1,1 x2	1,5 x2	3,4	4,9	3	4,5	224	31	100	200
BS2F 2MXH 406/A	BSM2F 2MXHM 406	1,5 x2	2 x2	4	6	3,5	5,5	241	36	100	200
BS2F 2MXH 803/A	BSM2F 2MXHM 803	1,1 x2	1,5 x2	1,6	2,8	1,2	2,4	442	12	100	300
BS2F 2MXH 804/A	BSM2F 2MXHM 804	1,5 x2	2 x2	2,8	4	2,4	3,6	406	24	200	300
BS2F 2MXH 805/B		1,8 x2	2,5 x2	3,5	5	3	4,5	405	31	200	500
BS2F 2MXH 1603/B		1,8 x2	2,5 x2	1,5	3	1,2	2,7	805	12	300	500
BS2F 2MXH 1604/A		3 x2	4 x2	2,8	4	2,4	3,6	770	24	500	1000
BS2F 2MXH 1605/B		3,7 x2	5 x2	3,8	5,3	3,4	4,9	728	35	500	1000
BS2F 2MXH 1606/B		4 x2	5,5 x2	4,5	6,5	4	6	725	41	500	800
BS2F 2MXH 2002/A		1,8 x2	2,5 x2	1,5	2,8	1,2	2,5	797	12	300	500
BS2F 2MXH 2003		3 x2	4 x2	3	4,5	2,5	4	785	25	500	1000
BS2F 2MXH 2004/A		4 x2	5,5 x2	4,4	5,9	3,9	5,4	752	40	1000	1500
BS2F 2MXH 2005		5,5 x2	7,5 x2	5,5	7	5,1	6,6	725	52	1000	1500
BS2F 2MXH-F 3202/B		4 x2	5,5 x2	1,5	3	1,2	2,7	1615	12	1000	2000
BS2F 2MXH-F 3203/A		5,5 x2	7,5 x2	3	4,5	2,5	4	1498	25	1000	2000
BS2F 2MXH-F 3204/A		7,5 x2	10 x2	4	6	3,5	5,5	1549	36	1500	3000
BS2F 2MXH-F 4802/A		5,5 x2	7,5 x2	1,5	3	1,2	2,7	2064	12	1500	2000
BS2F 2MXH-F 4803/A		7,5 x2	10 x2	3	4,5	2,5	4	1946	25	2000	3000

* Maximum pumps flow at minimum setting pressure of 2nd pressure switch.

BS3F

Mains: 400V 3~ Motor: 400V 3~	Motor		Pres. switch 1 bar		Pres. switch 2 bar		Pres. switch 3 bar		Maximum capacity *		Vessel Membrane litre	Vessel litre
	kW	HP	min	max	min	max	min	max	Q l/min	H m		
BS3F 3MXH 203E	0,45 x3	0,6 x3	1,4	2,8	1	2,4	0,6	2	253	6	24	100
BS3F 3MXH 204/A	0,55 x3	0,75 x3	2,8	4	2,4	3,6	2	3,2	215	20	40	100
BS3F 3MXH 205/B	0,75 x3	1 x3	3,5	5	3	4,5	2,5	4	217	25	50	100
BS3F 3MXH 206/C	1,1 x3	1,5 x3	4	6	3,5	5,5	3	5	223	31	50	100
BS3F 3MXH 403/A	0,55 x3	0,75 x3	1,4	2,6	1	2,2	0,6	1,8	413	6	60	100
BS3F 3MXH 404/B	0,75 x3	1 x3	2,4	3,6	2	3,2	1,6	2,8	382	16	80	200
BS3F 3MXH 405/C	1,1 x3	1,5 x3	3,4	4,9	3	4,5	2,6	4,1	361	27	100	200
BS3F 3MXH 406/A	1,5 x3	2 x3	4	6	3,5	5,5	3	5	383	31	100	200
BS3F 3MXH 803/A	1,1 x3	1,5 x3	1,8	2,8	1,4	2,4	1	2	676	10	100	300
BS3F 3MXH 804/A	1,5 x3	2 x3	2,8	4	2,4	3,6	2	3,2	645	20	200	300
BS3F 3MXH 805/B	1,8 x3	2,5 x3	3,5	5	3	4,5	2,5	4	643	25	200	500
BS3F 3MXH 1603/B	1,8 x3	2,5 x3	1,5	3	1,2	2,7	0,9	2,4	1247	9	300	500
BS3F 3MXH 1604/A	3 x3	4 x3	2,8	4	2,4	3,6	2	3,2	1217	20	500	1000
BS3F 3MXH 1605/B	3,7 x3	5 x3	3,8	5,3	3,4	4,9	3	4,5	1165	31	500	1000
BS3F 3MXH 1606/B	4 x3	5,5 x3	4,5	6,5	4	6	3,5	5,5	1166	36	500	800
BS3F 3MXH 2003	3 x3	4 x3	3	4,5	2,5	4	2	3,5	1201	20	500	1000
BS3F 3MXH 2004/A	4 x3	5,5 x3	4,4	5,9	3,9	5,4	3,4	4,9	1181	35	1000	1500
BS3F 3MXH 2005	5,5 x3	7,5 x3	5,5	7	5,1	6,6	4,7	6,2	1134	47	1000	1500
BS3F 3MXH-F 3202/B	4 x3	5,5 x3	1,5	3	1,2	2,7	0,9	2,4	2486	9	1000	2000
BS3F 3MXH-F 3203/A	5,5 x3	7,5 x3	3	4,5	2,5	4	2	3,5	2389	20	1000	2000
BS3F 3MXH-F 3204/A	7,5 x3	10 x3	4	6	3,5	5,5	3	5	2429	31	1500	3000
BS3F 3MXH-F 4802/A	5,5 x3	7,5 x3	1,5	3	1,2	2,7	0,9	2,4	3237	9	1500	2000
BS3F 3MXH-F 4803/A	7,5 x3	10 x3	3	4,5	2,5	4	2	3,5	3140	20	2000	3000

* Maximum pumps flow at minimum setting pressure of 3rd pressure switch.

Performance

BS..

PUMPS Nos						PUMP TYPE	P ₂ For each pump	
1	2	3	4	5	6		kW	HP
BS1V	BS2V BS1V1F BSM1V1F* BSM2V**	BS3V BS1V2F	BS4V BS1V3F	BS5V BS1V4F	BS6V BS1V5F	MXH 203E	0,45	0,6
						MXH 204/A	0,55	0,75
						MXH 205/B	0,75	1
						MXH 206/C	1,1	1,5
						MXH 403/A	0,55	0,75
						MXH 404/B	0,75	1
						MXH 405/C	1,1	1,5
						MXH 406/A	1,5	2
						MXH 803/A	1,1	1,5
						MXH 804/A	1,5	2
						MXH 805/B	1,8	2,5
						MXH 1603/B	1,8	2,5
						MXH 1604/A	3	4
						MXH 1605/B	3,7	5
						MXH 1606/B	4	5,5
						MXH 2002/A	1,8	2,5
						MXH 2003	3	4
						MXH 2004/A	4	5,5
						MXH 2005	5,5	7,5
						MXH-F 3202/B	4	5,5
MXH-F 3203/A	5,5	7,5						
MXH-F 3204/A	7,5	10						
MXH-F 4802/A	5,5	7,5						
MXH-F 4803/A	7,5	10						

BS.. ..-ITT

PUMPS Nos		PUMP TYPE	P ₂ For each pump	
2	3		kW	HP
BS2V -ITT	BS3V -ITT	MXH 204/A-ITT	0,55	0,75
		MXH 205/B-ITT	0,75	1
		MXH 206/C-ITT	1,1	1,5
		MXH 403/A-ITT	0,55	0,75
		MXH 404/B-ITT	0,75	1
		MXH 405/C-ITT	1,1	1,5
		MXH 406/A-ITT	1,5	2
		MXH 803/A-ITT	1,1	1,5
		MXH 804/A-ITT	1,5	2
		MXH 805/B-ITT	1,8	2,5
		MXH 1603/B-ITT	1,8	2,5
		MXH 1604/A-ITT	3	4
		MXH 1605/B-ITT	3,7	5
		MXH 1606/B-ITT	4	5,5
		MXH 2001/A-ITT	1,1	1,5
		MXH 2002/A-ITT	1,8	2,5
		MXH 2003-ITT	3	4
		MXH 2004/A-ITT	4	5,5
		MXH 2005-ITT	5,5	7,5
		MXH-F 3201/B-ITT	2,2	3
MXH-F 3202/B-ITT	4	5,5		
MXH-F 3203/A-ITT	5,5	7,5		
MXH-F 3204/A-ITT	7,5	10		
MXH-F 4801/A-ITT	3	4		
MXH-F 4802/A-ITT	5,5	7,5		
MXH-F 4803/A-ITT	7,5	10		

(*) SYSTEMS WITH:

- 1 variable speed pump three-phase motor
- 1 fixed speed pump single-phase motor
- Power supply to control panel 230 V single-phase

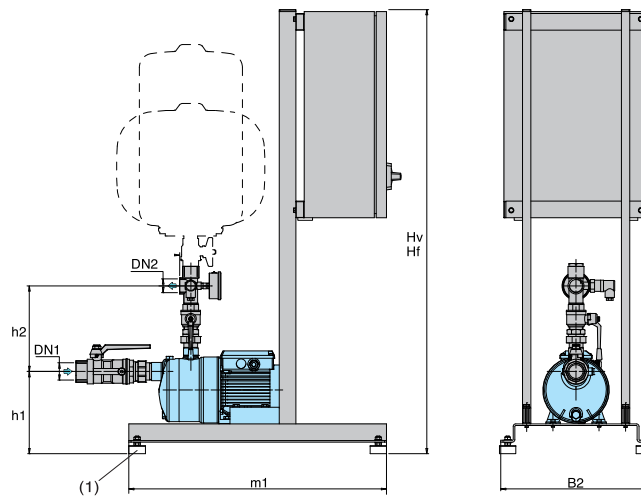
(**) Three-phase motor 230 V.

- Power supply to control panel: - 230 V three-phase
- 230 V single-phase
- Frequency converter output is always 230 V three-phase.

BS.. ..-EMT, EMM

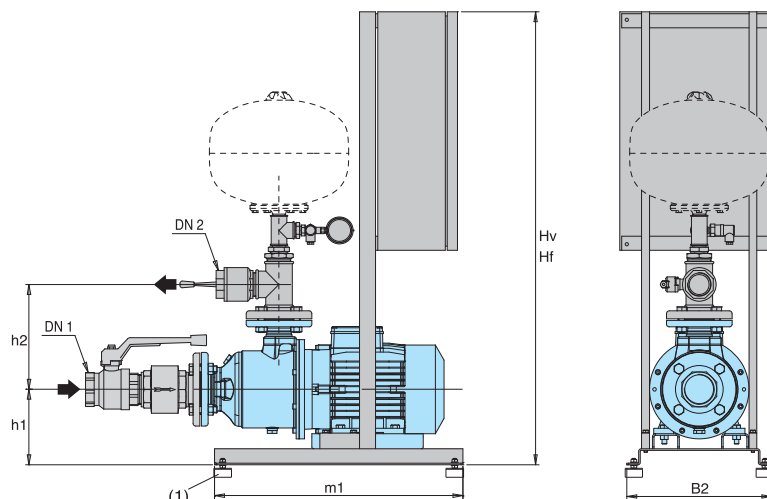
PUMPS Nos			PUMP TYPE	P ₂ For each pump	
1	2	3		kW	HP
BSM1V -EMT -EMM	BSM2V -EMT	BSM3V -EMT	MXH 203E-EMT	0,45	0,6
			MXH 204/A-EMT	0,55	0,75
			MXH 205/B-EMT	0,75	1
			MXH 206/C-EMT	1,1	1,5
			MXH 403/A-EMT	0,55	0,75
			MXH 404/B-EMT	0,75	1
			MXH 405/C-EMT	1,1	1,5
			MXH 406/A-EMT	1,5	2
			MXH 803/A-EMT	1,1	1,5
			MXH 804/A-EMT	1,5	2
			MXH 805/B-EMT	1,8	2,5
			MXH 1602/A-EMT	1,5	2
			MXH 1603/B-EMT	1,8	2,5

Dimensions and weights



TYPE	Connection		mm						weight kg
	DN 1	DN 2	Hv	Hf	h1	h2	m1	B2	
BS1.. 1MXH 203E									-
BS1.. 1MXH 204/A	G 1 1/4	G 1	1045	875	170	145	625	365	
BS1.. 1MXH 205/B									
BS1.. 1MXH 206/C									
BS1.. 1MXH 403/A	G 1 1/4	G 1	1045	875	170	145	625	365	
BS1.. 1MXH 404/B									
BS1.. 1MXH 405/C									
BS1.. 1MXH 406/A									
BS1.. 1MXH 803/A	G 1 1/2	G 1	1045	875	170	145	625	365	
BS1.. 1MXH 804/A									
BS1.. 1MXH 805/B									
BS1.. 1MXH 1603/B									
BS1.. 1MXH 1604/A	G 1 1/2	G 1 1/2	1045	875	175	195	625	365	
BS1.. 1MXH 1605/B									
BS1.. 1MXH 1606/B									

Dimensions not binding to be verified when ordering (1) Anti-vibration pads kit supplied loose as standard

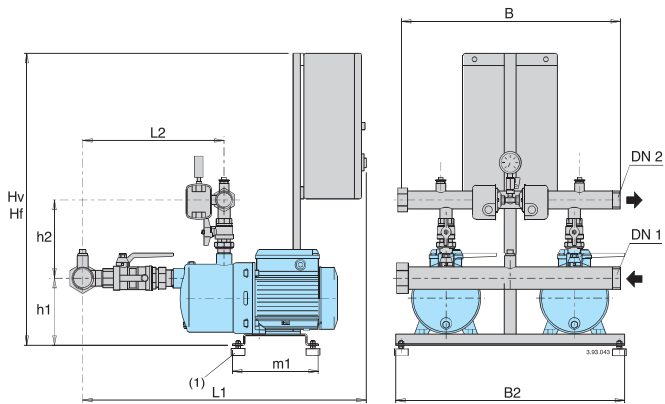


TYPE	Connection		mm						weight kg
	DN 1	DN 2	Hv	Hf	h1	h2	m1	B2	
BS1.. 1MXH 2002/A	G 2	G 1 1/2	1045	875	195	197	625	365	
BS1.. 1MXH 2003									
BS1.. 1MXH 2004/A	65	50	1045	875	195	265	625	365	
BS1.. 1MXH 2005									
BS1.. 1MXH-F 3202/B	80	65	1145	1145	195	275	625	365	
BS1.. 1MXH-F 3203/A									
BS1.. 1MXH-F 3204/A									
BS1.. 1MXH-F 4802/A									
BS1.. 1MXH-F 4803/A									

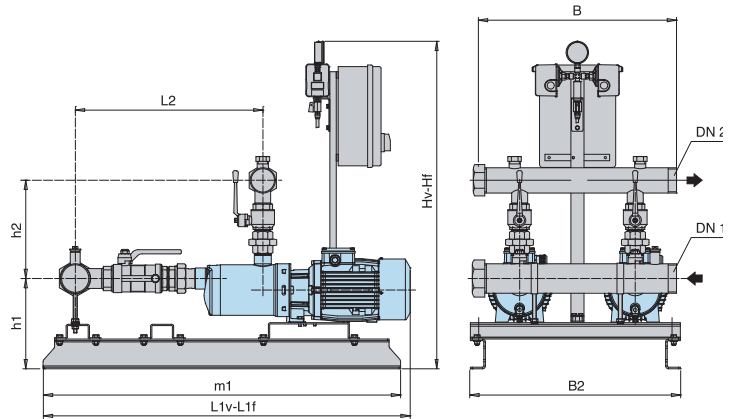
Dimensions not binding to be verified when ordering (1) Anti-vibration pads kit supplied loose as standard

Dimensions and weights

BS.. 2MXH 2,4,8



BS.. 2MXH 16

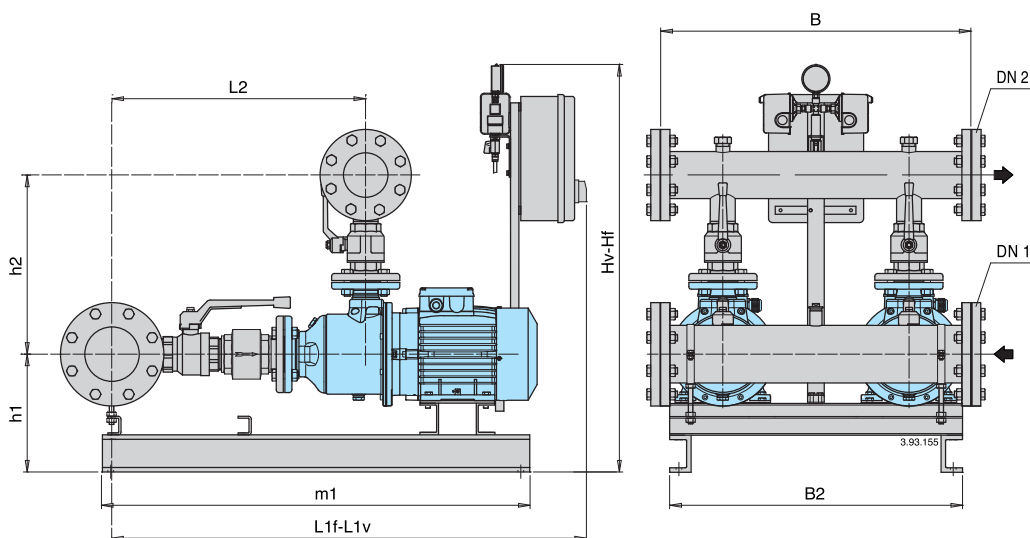


TYPE	Connection		mm									weight kg	
	DN 1	DN 2	Hf	Hv	h1	h2	L1f	L1v	L2	m1	B2		B
BS.. 2MXH 203E	G 2	G 1 1/2	840	-	162	202	773	-	335				42
BS.. 2MXH 204/A	G 2	G 1 1/2	840	-	162	202	796	-	358				47
BS.. 2MXH 205/B	G 2	G 1 1/2	840	-	162	202	820	-	382				50
BS.. 2MXH 206/C	G 2	G 1 1/2	840	-	162	202	845	-	406				54
BS.. 2MXH 403/A	G 2	G 1 1/2	840	-	162	202	773	-	335				46
BS.. 2MXH 404/B	G 2	G 1 1/2	840	-	162	202	796	-	358				49
BS.. 2MXH 405/C	G 2	G 1 1/2	840	-	162	202	820	-	382	235	625	600	53
BS.. 2MXH 406/A	G 2	G 1 1/2	840	-	162	202	845	-	406				57
BS.. 2MXH 803/A	G 2 1/2	G 2	840	-	162	208	866	-	428				61
BS.. 2MXH 804/A	G 2 1/2	G 2	840	-	162	208	896	-	458				66
BS.. 2MXH 805/B	G 2 1/2	G 2	840	-	162	208	926	-	488				68
BS.. 2MXH 1603/B	G 3	G 2 1/2	1040	980	258	281	1050	1115	490				-
BS.. 2MXH 1604/A	G 3	G 2 1/2	1040	980	273	281	1085	1150	530	1090	625	600	-
BS.. 2MXH 1605/B	G 3	G 2 1/2	1040	980	273	281	1120	1185	565				-
BS.. 2MXH 1606/B	G 3	G 2 1/2	1040	980	273	281	1178	1245	605				-
BS.. 2MXH 2002/A	G 3	G 2 1/2	1040	980	220	351	1155	1220	484				-
BS.. 2MXH 2003	G 3	G 2 1/2	1040	980	230	351	1155	1220	503	1090	625	600	-
BS.. 2MXH 2004/A	G 3	G 2 1/2	1040	980	230	351	1180	1245	537				-
BS.. 2MXH 2005	G 3	G 2 1/2	1040	980	252	351	1230	1295	572				-

Dimensions not binding to be verified when ordering

(1) Anti-vibration pads kit supplied loose as standard

Hf= Fixed speed boosting sets
Hv= Variable speed boosting sets

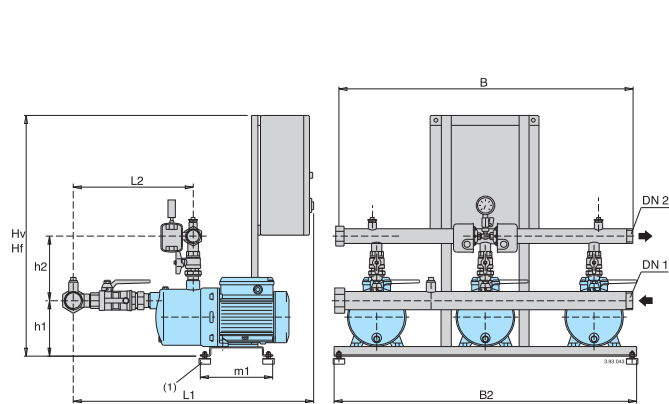


TYPE	Connection		mm									weight kg	
	DN 1	DN 2	Hf	Hv	h1	h2	L1f	L1v	L2	m1	B2		B
BS.. 2MXH-F 3202/B	100	80	1510	-	298	402	1265	-	558	1175			214
BS.. 2MXH-F 3203	100	80	1510	-	298	402	1270	-	604	1150			243
BS.. 2MXH-F 3204/A	100	80	1510	-	298	402	1320	-	650	1175	750	750	260
BS.. 2MXH-F 4802/A	125	100	1510	-	298	465	1380	-	654	1175			268
BS.. 2MXH-F 4803/A	125	100	1510	-	298	465	1420	-	716	1220			286

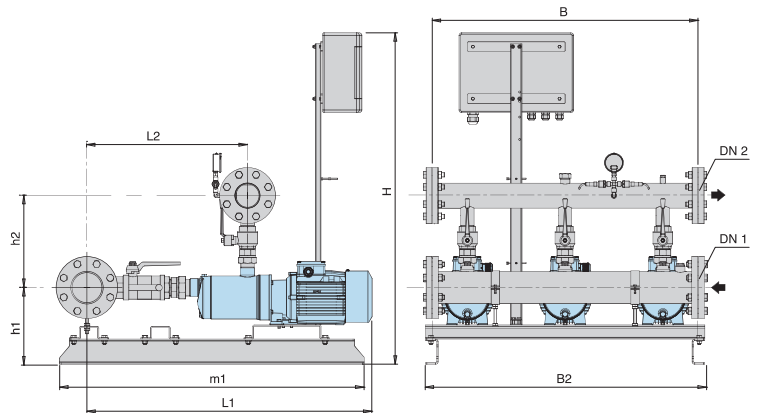
Dimensions not binding to be verified when ordering

Dimensions and weights

BS.. 3MXH 2,4,8



BS.. 3MXH 16



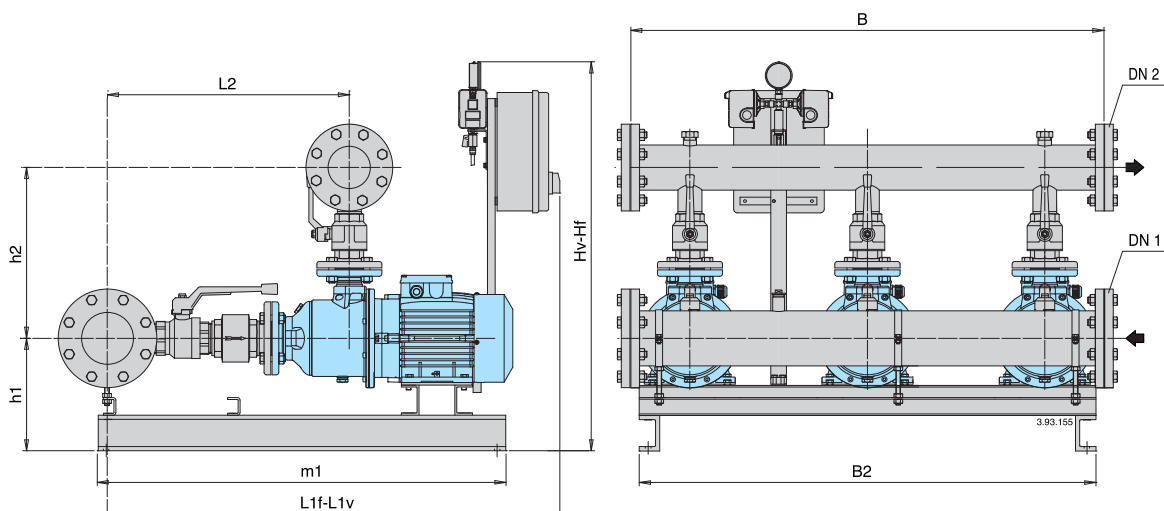
TYPE	Connection		mm										weight kg
	DN 1	DN 2	Hf	Hv	h1	h2	L1f	L1v	L2	m1	B2	B	
BS.. 3MXH 203E	G 2 1/2	G 2	840	-	162	202	773	-	335	305	1000	950	-
BS.. 3MXH 204/A	G 2 1/2	G 2	840	-	162	202	796	-	358				-
BS.. 3MXH 205/B	G 2 1/2	G 2	840	-	162	202	820	-	382				-
BS.. 3MXH 206/C	G 2 1/2	G 2	840	-	162	202	845	-	406				-
BS.. 3MXH 403/A	G 2 1/2	G 2	840	-	162	202	773	-	335				-
BS.. 3MXH 404/B	G 2 1/2	G 2	840	-	162	202	796	-	358				-
BS.. 3MXH 405/C	G 2 1/2	G 2	840	-	162	202	820	-	382				-
BS.. 3MXH 406/A	G 2 1/2	G 2	840	-	162	202	845	-	406				-
BS.. 3MXH 803/A	G 3	G 2 1/2	840	-	162	208	866	-	428				-
BS.. 3MXH 804/A	G 3	G 2 1/2	840	-	162	208	896	-	458				-
BS.. 3MXH 805/B	G 3	G 2 1/2	840	-	162	208	926	-	488	-			
BS.. 3MXH 1603/B	DN 100	DN 80	1060	1550	258	327	1096	1100	500	1090	1000	950	-
BS.. 3MXH 1604/A	DN 100	DN 80	1060	1550	273	327	1131	1135	538				-
BS.. 3MXH 1605/B	DN 100	DN 80	1060	1550	273	327	1167	1171	575				-
BS.. 3MXH 1606/B	DN 100	DN 80	1060	1550	273	327	1227	1231	613				-
BS.. 3MXH 2002/A	DN 100	DN 80	1060	1550	290	398	1166	1170	499	1090	1000	950	-
BS.. 3MXH 2003	DN 100	DN 80	1060	1550	290	398	1166	1170	518				-
BS.. 3MXH 2004/A	DN 100	DN 80	1060	1550	290	398	1226	1230	553				-
BS.. 3MXH 2005	DN 100	DN 80	1060	1550	252	398	1241	1245	587				-

Dimensions not binding to be verified when ordering

(1) Anti-vibration pads kit supplied loose as standard

Hf= Fixed speed boosting sets

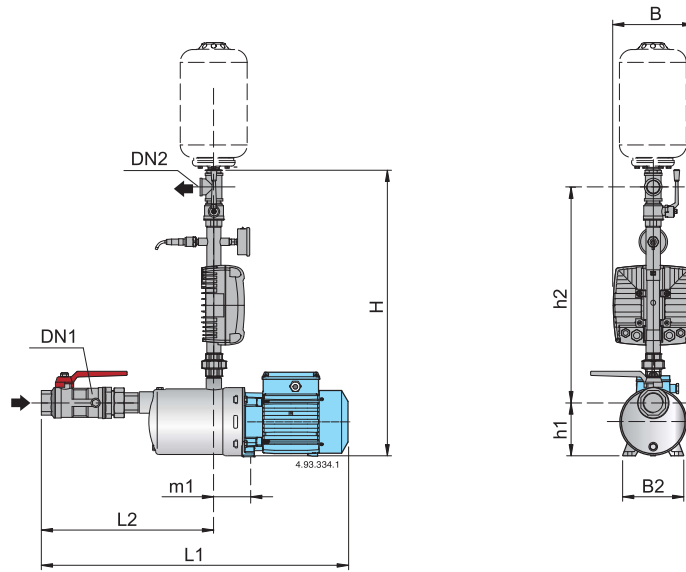
Hv= Variable speed boosting sets



TYPE	Connection		mm										weight kg
	DN 1	DN 2	Hf	Hv	h1	h2	L1f	L1v	L2	m1	B2	B	
BS.. 3MXH-F 3202/B	125	100	1510	-	318	415	1265	-	565	1175	1150	1200	-
BS.. 3MXH-F 3203/A	125	100	1510	-	318	415	1270	-	617	1060			-
BS.. 3MXH-F 3204/A	125	100	1510	-	318	415	1320	-	660	1175			-
BS.. 3MXH-F 4802/A	150	125	1510	-	318	465	1380	-	665	1175			-
BS.. 3MXH-F 4803/A	150	125	1510	-	318	465	1420	-	725	1220	-		

Dimensions not binding to be verified when ordering

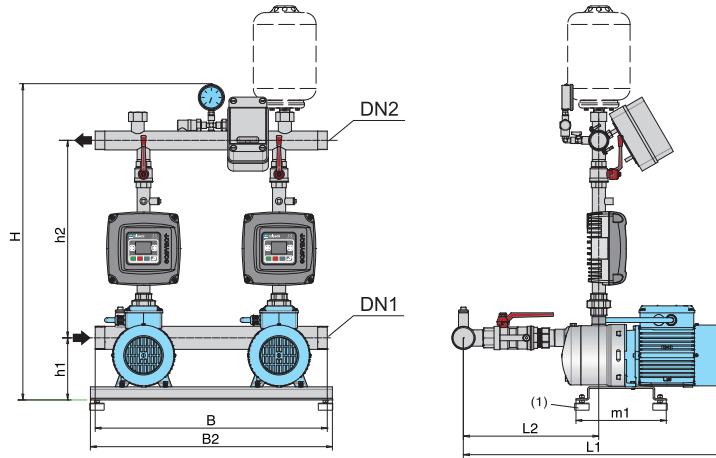
Characteristic and dimensions



Mains: 1~ 230V Motor: 3~ 230V	mains A	motor A	Mains: 1~ 230V Motor: 1~ 230V	A	P2		Connection		mm							
					kW	HP	DN1	DN2	H	h1	h2	L1	L2	m1	B	B2
BSM1V 1MXH 203E-EMT	3,2	2,4	BSM1V 1MXHM 203E-EMM	3	0,45	0,6	G 1 1/4	G 1	708	127	516	511	274	88	165	146
BSM1V 1MXH 204/A-EMT	4	2,8	BSM1V 1MXHM 204/A-EMM	4,2	0,55	0,75						561	298			
BSM1V 1MXH 205/B-EMT	5	3,5	BSM1V 1MXHM 205/A-EMM	5,4	0,75	1						585	322			
BSM1V 1MXH 206/C-EMT	6,3	4,7	BSM1V 1MXHM 206-EMM	7,4	1,1	1,5						609	346			
BSM1V 1MXH 403/A-EMT	4	2,8	BSM1V 1MXHM 403/A-EMM	4,2	0,55	0,75	G 1 1/4	G 1	708	127	516	537	274	88	165	146
BSM1V 1MXH 404/B-EMT	5	3,5	BSM1V 1MXHM 404/A-EMM	5,4	0,75	1						561	298			
BSM1V 1MXH 405/C-EMT	6,7	4,7	BSM1V 1MXHM 405-EMM	7,4	1,1	1,5						585	322			
BSM1V 1MXH 406/A-EMT	8	6,2			1,5	2						680	346			
BSM1V 1MXH 803/A-EMT	7,1	5	BSM1V 1MXHM 803-EMM	7,4	1,1	1,5	G 1 1/2	G 1	708	127	516	657	323	88	165	146
BSM1V 1MXH 804/A-EMT	8,6	6,2			1,5	2						687	353			
BSM1V 1MXH 805/B-EMT	10,7	7,5			1,8	2,5						717	383			
BSM1V 1MXH 1602/A-EMT	9,1	6,2			1,5	2	G 2	G 1 1/2	750	117	560	752	404	101	165	146
BSM1V 1MXH 1603/B-EMT	10,7	7,5			1,8	2,5						752	404			

Dimensions not binding to be verified when ordering

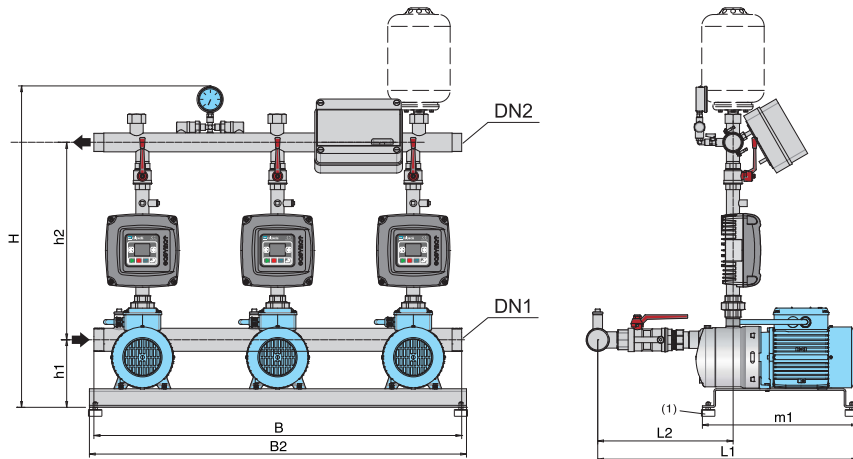
Characteristic and dimensions



Mains: 1~ 230V Motor: 3~ 230V	mains A	motor A	P2		Connection		mm							
			kW	HP	DN1	DN2	H	h1	h2	L1	L2	m1	B	B2
BSM2V 2MXH 203E-EMT	2x3,2	2x2,4	2x0,45	2x0,6	G 2	G 1 1/2	848	161	506	563	326	240	600	625
BSM2V 2MXH 204/A-EMT	2x4	2x2,8	2x0,55	2x0,75						613	350			
BSM2V 2MXH 205/B-EMT	2x5	2x3,5	2x0,75	2x1						637	374			
BSM2V 2MXH 206/C-EMT	2x6,3	2x4,7	2x1,1	2x1,5	G 2	G 1 1/2	848	161	506	661	398	240	600	625
BSM2V 2MXH 403/A-EMT	2x4	2x2,8	2x0,55	2x0,75						589	326			
BSM2V 2MXH 404/B-EMT	2x5	2x3,5	2x0,75	2x1						613	350			
BSM2V 2MXH 405/C-EMT	2x6,7	2x4,7	2x1,1	2x1,5	G 2 1/2	G 2	854	161	512	637	374	240	600	625
BSM2V 2MXH 406/A-EMT	2x8	2x6,2	2x1,5	2x2						732	398			
BSM2V 2MXH 803/A-EMT	2x7,1	2x5	2x1,1	2x1,5						727	393			
BSM2V 2MXH 804/A-EMT	2x8,6	2x6,2	2x1,5	2x2	G 2 1/2	G 2	854	161	512	757	423	240	600	625
BSM2V 2MXH 805/B-EMT	2x10,7	2x7,5	2x1,8	2x2,5						787	453			
BSM2V 2MXH 1602/A-EMT	2x9,1	2x6,2	2x1,5	2x2						829	481			
BSM2V 2MXH 1603/B-EMT	2x10,7	2x7,5	2x1,8	2x2,5	G 3	G 2 1/2	882	151	551	829	481	240	600	625
										829	481			

Dimensions not binding to be verified when ordering

(1) Anti-vibration pads kit supplied loose as standard



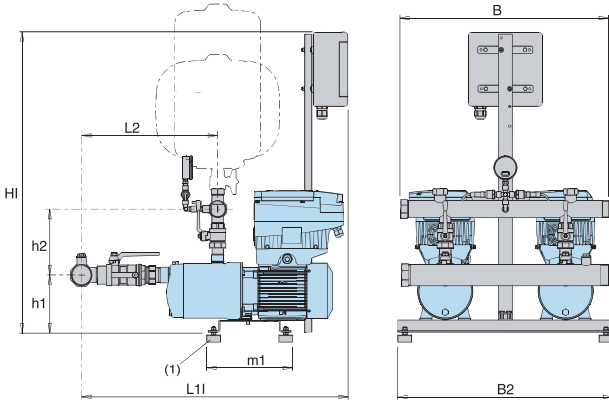
Mains: 1~ 230V Motor: 3~ 230V	mains A	motor A	P2		Connection		mm							
			kW	HP	DN1	DN2	H	h1	h2	L1	L2	m1	B	B2
BSM3V 3MXH 203E-EMT	3x3,2	3x2,4	3x0,45	3x0,6	G 2	G 1 1/2	848	161	506	563	326	240	600	625
BSM3V 3MXH 204/A-EMT	3x4	3x2,8	3x0,55	3x0,75						613	350			
BSM3V 3MXH 205/B-EMT	3x5	3x3,5	3x0,75	3x1						637	374			
BSM3V 3MXH 206/C-EMT	3x6,3	3x4,7	3x1,1	3x1,5	G 2	G 1 1/2	848	161	506	661	398	240	600	625
BSM3V 3MXH 403/A-EMT	3x4	3x2,8	3x0,55	3x0,75						589	326			
BSM3V 3MXH 404/B-EMT	3x5	3x3,5	3x0,75	3x1						613	350			
BSM3V 3MXH 405/C-EMT	3x6,7	3x4,7	3x1,1	3x1,5	G 2 1/2	G 2	854	161	512	637	374	240	600	625
BSM3V 3MXH 406/A-EMT	3x8	3x6,2	3x1,5	3x2						732	398			
BSM3V 3MXH 803/A-EMT	3x7,1	3x5	3x1,1	3x1,5						727	393			
BSM3V 3MXH 804/A-EMT	3x8,6	3x6,2	3x1,5	3x2	G 2 1/2	G 2	854	161	512	757	423	240	600	625
BSM3V 3MXH 805/B-EMT	3x10,7	3x7,5	3x1,8	3x2,5						787	453			
BSM3V 3MXH 1602/A-EMT	3x9,1	3x6,2	3x1,5	3x2						829	481			
BSM3V 3MXH 1603/B-EMT	3x10,7	3x7,5	3x1,8	3x2,5	G 3	G 2 1/2	882	151	551	829	481	240	600	625
										829	481			

Dimensions not binding to be verified when ordering

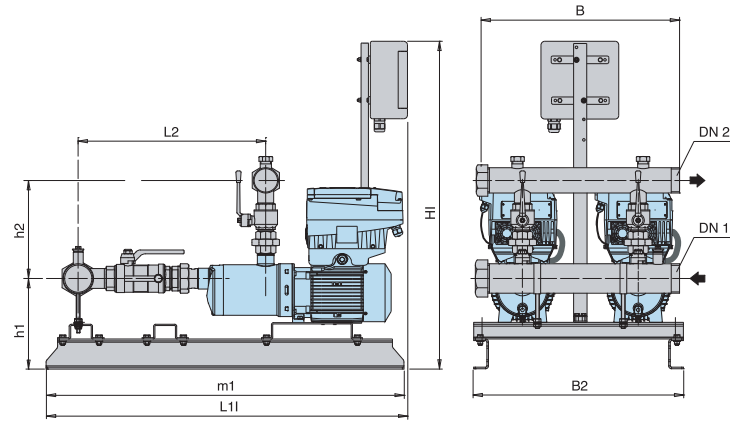
(1) Anti-vibration pads kit supplied loose as standard

Dimensions and weights

BS.. 2MXH 2,4,8



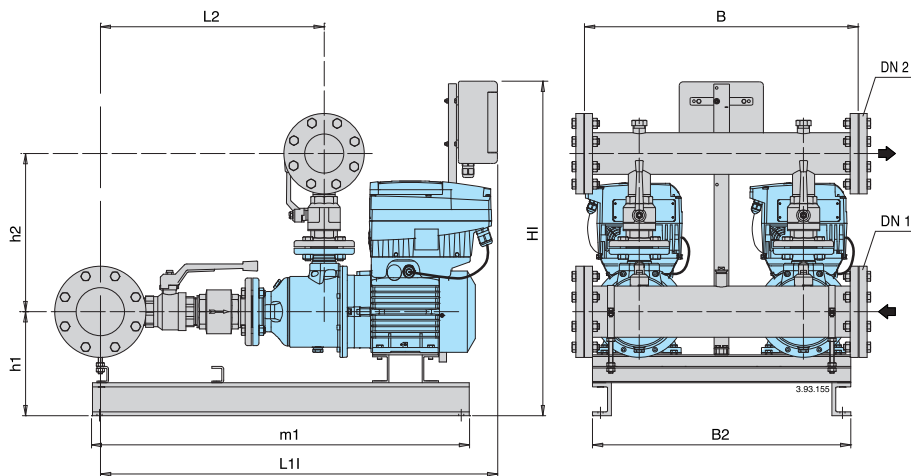
BS.. 2MXH 16



TYPE	Motor			Connection		mm							weight kg	
	kW	HP	A	DN 1	DN 2	HI	h1	h2	L11	L2	m1	B2		B
BS2V 2MXH 204/A-ITT	0,55 x2	0,75 x2	1,6 x2	G 2	G 1 1/2	848	162	187	725	347				47
BS2V 2MXH 205/B-ITT	0,75 x2	1 x2	2 x2	G 2	G 1 1/2	848	162	187	749	371				50
BS2V 2MXH 206/C-ITT	1,1 x2	1,5 x2	2,7 x2	G 2	G 1 1/2	848	162	187	773	395				54
BS2V 2MXH 403/A-ITT	0,55 x2	0,75 x2	1,6 x2	G 2	G 1 1/2	848	162	187	701	323				46
BS2V 2MXH 404/B-ITT	0,75 x2	1 x2	2 x2	G 2	G 1 1/2	848	162	187	725	347				49
BS2V 2MXH 405/C-ITT	1,1 x2	1,5 x2	2,7 x2	G 2	G 1 1/2	848	162	187	749	371				53
BS2V 2MXH 406/A-ITT	1,5 x2	2 x2	3,6 x2	G 2	G 1 1/2	848	162	187	773	395				57
BS2V 2MXH 803/A-ITT	1,1 x2	1,5 x2	2,7 x2	G 2 1/2	G 2	848	162	193	764	386				61
BS2V 2MXH 804/A-ITT	1,5 x2	2 x2	3,6 x2	G 2 1/2	G 2	848	162	193	794	416				66
BS2V 2MXH 805/B-ITT	1,8 x2	2,5 x2	4,3 x2	G 2 1/2	G 2	848	162	193	830	446				68
BS2V 2MXH 1603/B-ITT	1,8 x2	2,5 x2	4,3 x2	G 3	G 2 1/2	980	258	281	1065	490				87
BS2V 2MXH 1604/A-ITT	3 x2	4 x2	6,6 x2	G 3	G 2 1/2	980	273	281	1100	530				114
BS2V 2MXH 1605/B-ITT	3,7 x2	5 x2	9,6 x2	G 3	G 2 1/2	980	273	281	1133	565				122
BS2V 2MXH 1606/B-ITT	4 x2	5,5 x2	9,6 x2	G 3	G 2 1/2	980	273	281	1192	605				124
BS2V 2MXH 2001/A-ITT	1,1 x2	1,5 x2	2,7 x2	G 3	G 2 1/2	980	220	351	1170	484				
BS2V 2MXH 2002/A-ITT	1,8 x2	2,5 x2	5,3 x2	G 3	G 2 1/2	980	220	351	1170	484				
BS2V 2MXH 2003-ITT	3 x2	4 x2	6,6 x2	G 3	G 2 1/2	980	230	351	1170	503				
BS2V 2MXH 2004/A-ITT	4 x2	5,5 x2	9,6 x2	G 3	G 2 1/2	980	230	351	1195	537				
BS2V 2MXH 2005-ITT	5,5 x2	7,5 x2	10,9 x2	G 3	G 2 1/2	980	252	351	1245	572				

Dimensions not binding to be verified when ordering

(1) Anti-vibration pads kit supplied loose as standard



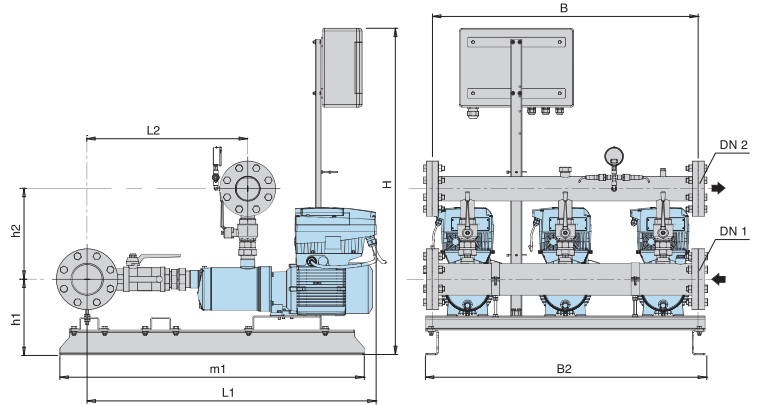
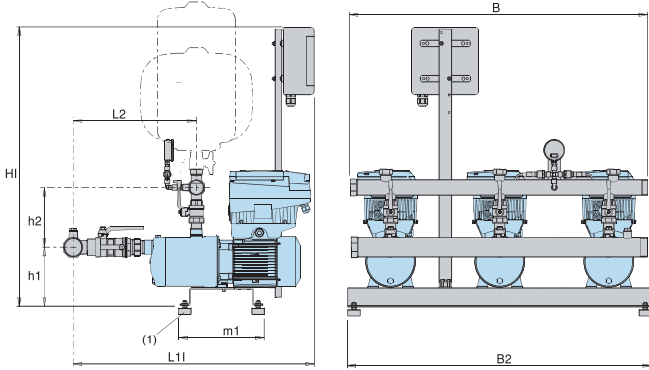
TYPE	Motor			Connection		mm							weight kg	
	kW	HP	A	DN 1	DN 2	HI	h1	h2	L11	L2	m1	B2		B
BS2V 2MXH-F 3201/B-ITT	2,2 x2	3 x2	5,3 x2	100	80	1100	266	402	1164	558	990			214
BS2V 2MXH-F 3202/B-ITT	4 x2	5,5 x2	9,6 x2	100	80	1180	298	402	1180	558	1010			243
BS2V 2MXH-F 3203/A-ITT	5,5 x2	7,5 x2	10,9 x2	100	80	1180	298	402	1274	604	1050			260
BS2V 2MXH-F 3204/A-ITT	7,5 x2	10 x2	14,3 x2	100	80	1180	298	402	1320	650	1110			
BS2V 2MXH-F 4801/A-ITT	3 x2	4 x2	6,6 x2	125	100	1198	298	468	1250	654	1010			268
BS2V 2MXH-F 4802/A-ITT	5,5 x2	7,5 x2	10,9 x2	125	100	1198	298	468	1306	654	1065			286
BS2V 2MXH-F 4803/A-ITT	7,5 x2	10 x2	14,3 x2	125	100	1198	298	468	1367	716	1110			

Dimensions not binding to be verified when ordering

Dimensions and weights

BS.. 3MXH 2,4,8

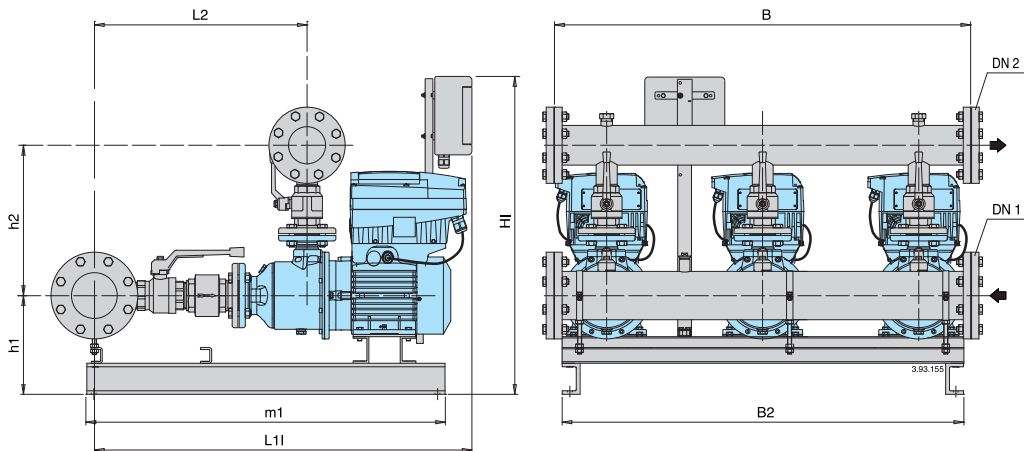
BS.. 3MXH 16



TYPE	Motor			Connection		mm							weight kg	
	kW	HP	A	DN 1	DN 2	HI	h1	h2	L1	L2	m1	B2		B
BS3V 3MXH 204/A-ITT	0,55 x3	0,75 x3	1,6 x3	G 2 1/2	G 2	913	227	193	857	356	423	1000	950	-
BS3V 3MXH 205/B-ITT	0,75 x3	1 x3	2 x3	G 2 1/2	G 2	913	227	193	881	380				
BS3V 3MXH 206/C-ITT	1,1 x3	1,5 x3	2,7 x3	G 2 1/2	G 2	913	227	193	905	404				
BS3V 3MXH 403/A-ITT	0,55 x3	0,75 x3	1,6 x3	G 2 1/2	G 2	913	227	193	833	332				
BS3V 3MXH 404/B-ITT	0,75 x3	1 x3	2 x3	G 2 1/2	G 2	913	227	193	857	356				
BS3V 3MXH 405/C-ITT	1,1 x3	1,5 x3	2,7 x3	G 2 1/2	G 2	913	227	193	881	390				
BS3V 3MXH 406/A-ITT	1,5 x3	2 x3	3,6 x3	G 2 1/2	G 2	913	227	193	905	404				
BS3V 3MXH 803/A-ITT	1,1 x3	1,5 x3	2,7 x3	G 3	G 2 1/2	913	227	193	905	404				
BS3V 3MXH 804/A-ITT	1,5 x3	2 x3	3,6 x3	G 3	G 2 1/2	913	227	193	933	432				
BS3V 3MXH 805/B-ITT	1,8 x3	2,5 x3	4,3 x3	G 3	G 2 1/2	913	227	193	950	449				
BS3V 3MXH 1603/B-ITT	1,8 x3	2,5 x3	4,3 x3	DN 100	DN 80	980	258	321	1100	500	1090	1000	950	-
BS3V 3MXH 1604/A-ITT	3 x3	4 x3	6,6 x3	DN 100	DN 80	980	273	321	1135	538				
BS3V 3MXH 1605/B-ITT	3,7 x3	5 x3	9,6 x3	DN 100	DN 80	980	273	321	1171	575				
BS3V 3MXH 1606/B-ITT	4 x3	5,5 x3	9,6 x3	DN 100	DN 80	980	273	321	1231	613				
BS3V 3MXH 2001/A-ITT	1,1 x3	1,5 x3	2,7 x3	DN 100	DN 80	980	290	391	1170	499				
BS3V 3MXH 2002/A-ITT	1,8 x3	2,5 x3	5,3 x3	DN 100	DN 80	980	290	391	1170	499				
BS3V 3MXH 2003-ITT	3 x3	4 x3	6,6 x3	DN 100	DN 80	980	290	391	1170	518				
BS3V 3MXH 2004/A-ITT	4 x3	5,5 x3	9,6 x3	DN 100	DN 80	980	290	391	1230	553				
BS3V 3MXH 2005-ITT	5,5 x3	7,5 x3	10,9 x3	DN 100	DN 80	980	252	391	1245	587				

Dimensions not binding to be verified when ordering

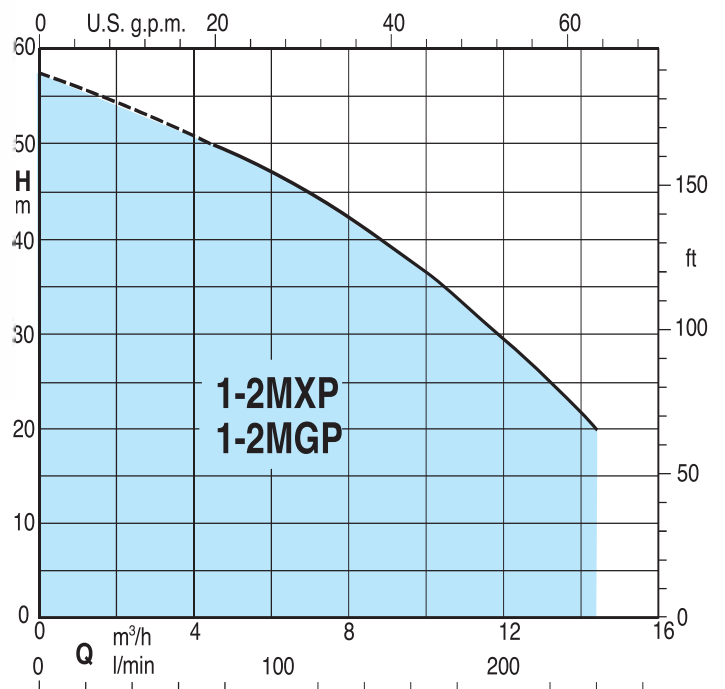
(1) Anti-vibration pads kit supplied loose as standard



TYPE	Motor			Connection		mm							weight kg	
	kW	HP	A	DN 1	DN 2	HI	h1	h2	L1	L2	m1	B2		B
BS3V 3MXH-F 3201/B-ITT	2,2 x3	3 x3	5,3 x3	125	100	1246	286	415	1164	571	1010	1150	1200	-
BS3V 3MXH-F 3202/B-ITT	4 x3	5,5 x3	9,6 x3	125	100	1246	318	415	1180	571	1065			
BS3V 3MXH-F 3203/A-ITT	5,5 x3	7,5 x3	10,9 x3	125	100	1246	318	415	1096	617	1060			
BS3V 3MXH-F 3204/A-ITT	7,5 x3	10 x3	14,3 x3	125	100	1246	318	415	1320	663	1110			
BS3V 3MXH-F 4801/A-ITT	3 x3	4 x3	6,6 x3	150	125	1246	316	480	1272	668	1010			
BS3V 3MXH-F 4802/A-ITT	5,5 x3	7,5 x3	10,9 x3	150	125	1246	316	480	1320	668	1065			
BS3V 3MXH-F 4803/A-ITT	7,5 x3	10 x3	14,3 x3	150	125	1246	316	480	1381	750	1110			

Dimensions not binding to be verified when ordering

Coverage chart



Operation

BS 2F **Pressure boosting sets with 2 fixed speed pump.**
Depending on the reduction of the pressure in the system, the pressure switches determine the starting up of the pumps in sequence and the microprocessor alternates the starts.

BS1-3V **Pressure boosting sets with 1 to 3 variable speed pumps (with EASYMAT).**
Depending on water consumption, one or more pumps are activated, all at variable speed, in order to guarantee the quantity of water required at the set pressure.

BS1V1F **Pressure boosting sets with 1 variable speed pump (with frequency converter into the control panel) and from 1 fixed speed pump**
According to the water consumption, one or more pumps start, one at variable speed and the others at fixed speed, to grant the water quantity required at the set pressure.

BS2V **Pressure boosting sets with two variable speed pumps (with frequency converter into the control panel).**
Depending on water consumption, one or more pumps are activated, all at variable speed, in order to guarantee the quantity of water required at the set pressure.

Construction

- Automatic pressure boosting plant consisting of 1 to 3 horizontal multi-stage pumps complete with ball, non return valve on the suction side and ball valves on the delivery side.

Suction and delivery manifolds for boosting sets with 2,3 pumps:
- stainless steel AISI 304.
Connections are located on the delivery manifold for the installation of vessels G1 connection.

Electrical control boards:
- with microprocessor for fixed speed pump units. Motor starting is D.O.L.
- with frequency converter for variable speed pump units.

The unit includes one pressure gauge and three adjustable differential pressure switches or pressure transducer.

Applications

To supply water in civil and industrial buildings.
As pressure boosting pump to increase water pressure when needed (follow local rules).

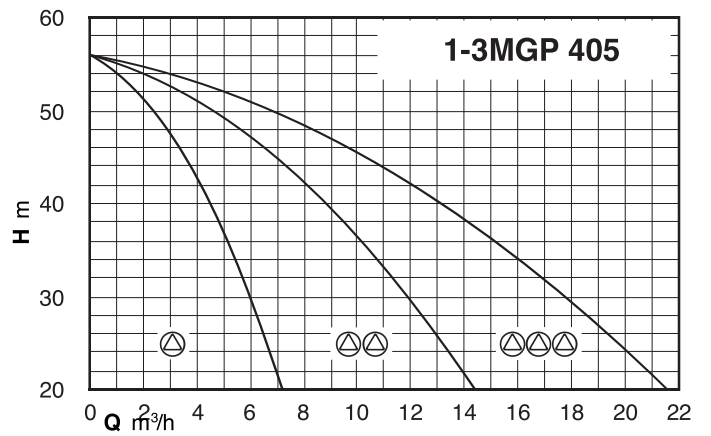
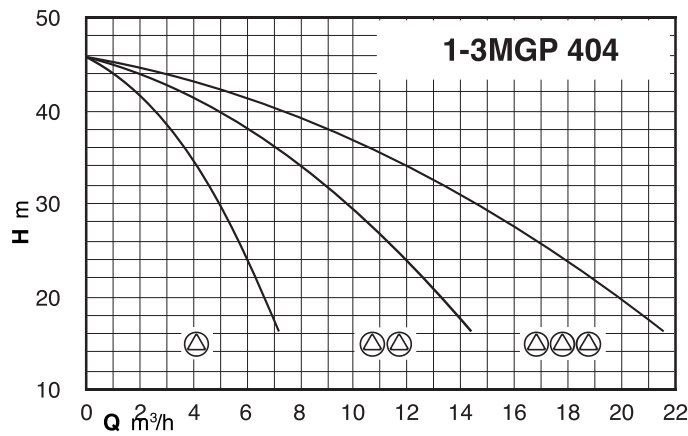
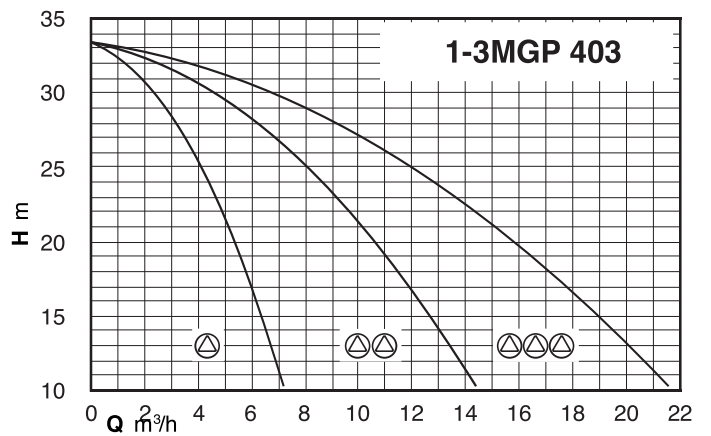
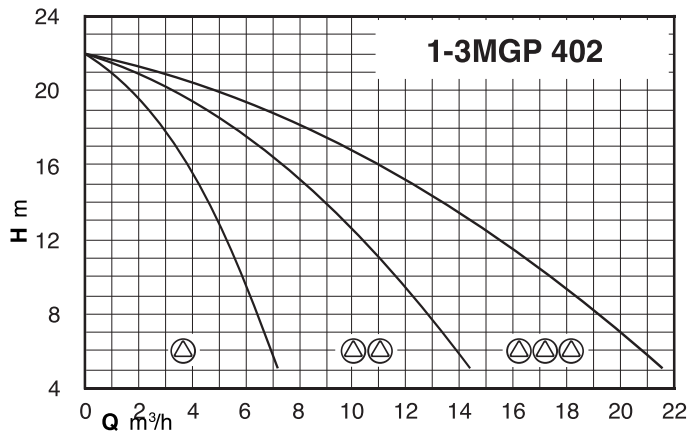
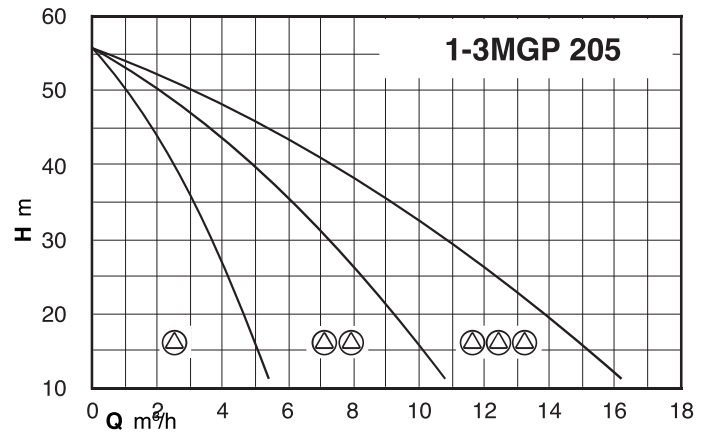
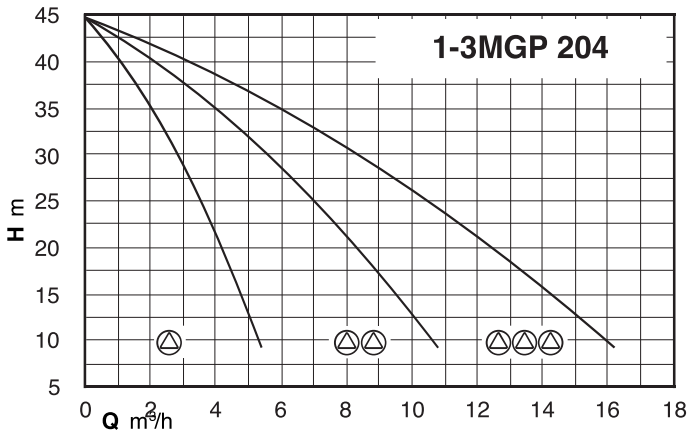
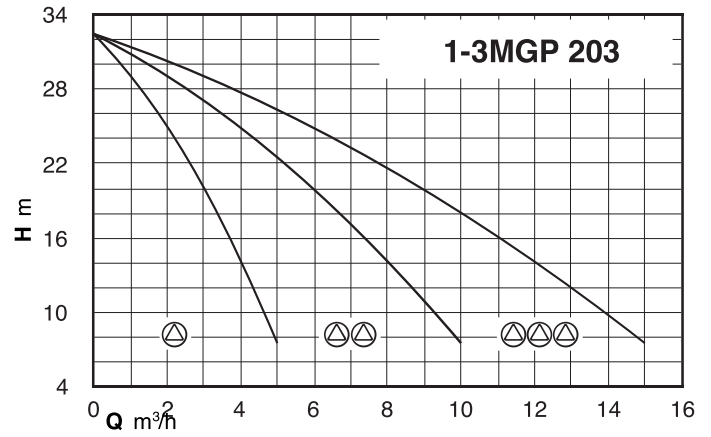
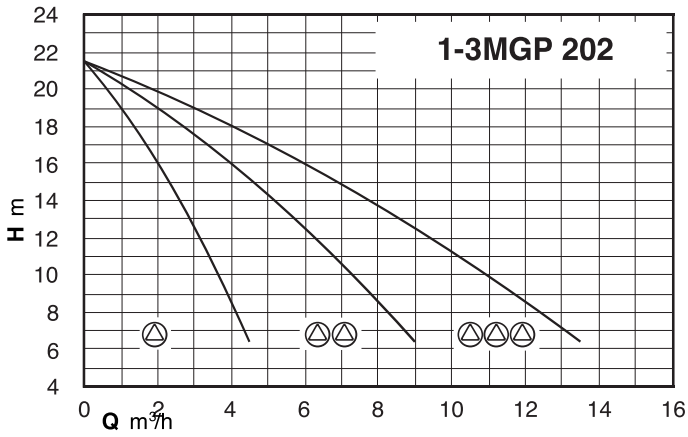
Motors

2-pole induction motors, 50 Hz, $n \approx 2900$ rpm, suitable for operation with frequency converter.
- Three-phase 230/400V $\pm 10\%$ up to 3 kW;
400/690V $\pm 10\%$ for 4 kW to 7,5 kW;
- Single-phase 230 V $\pm 10\%$, with thermal protector.
Insulation class F.
Protection IP 54.
Constructed in accordance with: IEC 60034.
Other voltages and frequencies on request.

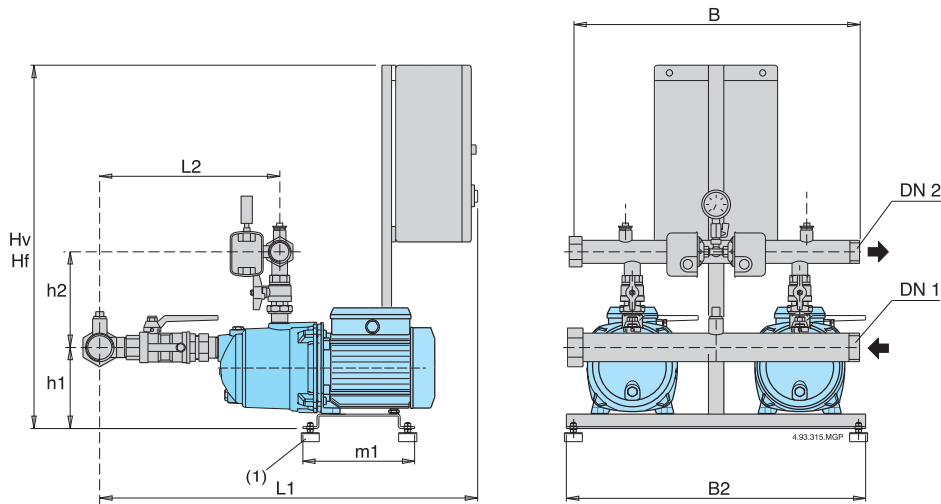
Vessels on request

When installing the unit, connect in the delivery section to a diaphragm or galvanised tank.
The recommended sized are shown in the following page.

Coverage chart



Characteristic, dimensions and weights



(1) Anti-vibration pads kit supplied loose as standard

Hf= Fixed speed boosting sets
Hv= Variable speed boosting sets

BS2F BSM2F

Mains: 400V 3~ Motor: 400V 3~	Mains: 230V 1~ Motor: 230V 1~	Motor		Q max* l/min	Pres. switch setting		Connection		mm							Weight kg	Vessel		
		kW	HP		bar	bar	DN1	DN2	H	h1	h2	L1	L2	m1	B2		B	Mem. litre	Vessel litre
BS2F 2MGP 203	BSM2F 2MGPM 203	0,45+0,45	0,6+0,6	155	1,4+2,6	1,0+2,2	G 2	G 1 1/2	840	151	206	793	355	235	625	600	41	24x2	100
BS2F 2MGP 204	BSM2F 2MGPM 204	0,55+0,55	0,75+0,75	160	2,0+3,2	1,5+2,7	G 2	G 1 1/2	840	151	206	793	355				46	24x2	100
BS2F 2MGP 205/A	BSM2F 2MGPM 205	0,75+0,75	1+1	160	3,0+4,5	2,5+4,0	G 2	G 1 1/2	840	151	206	793	355				52	24x2	100
BS2F 2MGP 403	BSM2F 2MGPM 403	0,55+0,55	0,75+0,75	230	1,2+2,4	0,9+2,1	G 2	G 1 1/2	840	151	206	793	355				46	24x2	100
BS2F 2MGP 404/A	BSM2F 2MGPM 404	0,75+0,75	1+1	220	2,4+3,6	2,0+3,2	G 2	G 1 1/2	840	151	206	793	355				48	80	200
BS2F 2MGP 405	BSM2F 2MGPM 405	1,1+1,1	1,5+1,5	220	3,0+4,5	2,5+4,0	G 2	G 1 1/2	840	151	206	793	355				54	80	200

* Maximum pumps flow at minimum set pressure of 2nd pressure switch.

BS1V1F BSM1V1F

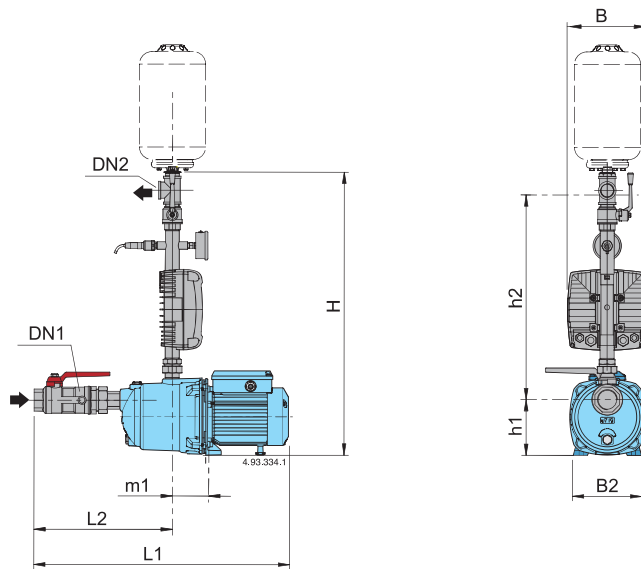
Mains: 400V 3~ Motor: 400V 3~	Mains: 230V 1~ Motor: 230V 3~ and 230V 1~	Motor		Connection		mm							Weight kg	Vessel	
		kW	HP	DN1	DN2	H	h1	h2	L1	L2	m1	B2		B	Membrane litre
BS1V1F 2MGP 203	BSM1V1F 2MGP 203	0,45+0,45	0,6+0,6	G 2	G 1 1/2	1100	151	206	793	355	235	625	600	41	24x2
BS1V1F 2MGP 204	BSM1V1F 2MGP 204	0,55+0,55	0,75+0,75	G 2	G 1 1/2	1100	151	206	793	355				46	24x2
BS1V1F 2MGP 205/A	BSM1V1F 2MGP 205	0,75+0,75	1+1	G 2	G 1 1/2	1100	151	206	793	355				52	24x2
BS1V1F 2MGP 403	BSM1V1F 2MGP 403	0,55+0,55	0,75+0,75	G 2	G 1 1/2	1100	151	206	793	355				46	24x2
BS1V1F 2MGP 404/A	BSM1V1F 2MGP 404	0,75+0,75	1+1	G 2	G 1 1/2	1100	151	206	793	355				48	24x2
BS1V1F 2MGP 405	BSM1V1F 2MGP 405	1,1+1,1	1,5+1,5	G 2	G 1 1/2	1100	151	206	793	355				54	24x2

BS2V BSM2V

Mains: 400V 3~ Motor: 400V 3~	Mains: 230V 1~ Motor: 230V 3~	Motor		Connection		mm							Weight kg	Vessel	
		kW	HP	DN1	DN2	H	h1	h2	L1	L2	m1	B2		B	Membrane litre
BS2V 2MGP 203	BSM2V 2MGP 203	0,45+0,45	0,6+0,6	G 2	G 1 1/2	1100	151	206	793	355	235	625	600	41	24x2
BS2V 2MGP 204	BSM2V 2MGP 204	0,55+0,55	0,75+0,75	G 2	G 1 1/2	1100	151	206	793	355				46	24x2
BS2V 2MGP 205/A	BSM2V 2MGP 205	0,75+0,75	1+1	G 2	G 1 1/2	1100	151	206	793	355				52	24x2
BS2V 2MGP 403	BSM2V 2MGP 403	0,55+0,55	0,75+0,75	G 2	G 1 1/2	1100	151	206	793	355				46	24x2
BS2V 2MGP 404/A	BSM2V 2MGP 404	0,75+0,75	1+1	G 2	G 1 1/2	1100	151	206	793	355				48	24x2
BS2V 2MGP 405	BSM2V 2MGP 405	1,1+1,1	1,5+1,5	G 2	G 1 1/2	1100	151	206	793	355				54	24x2

Dimensions not binding to be verified when ordering

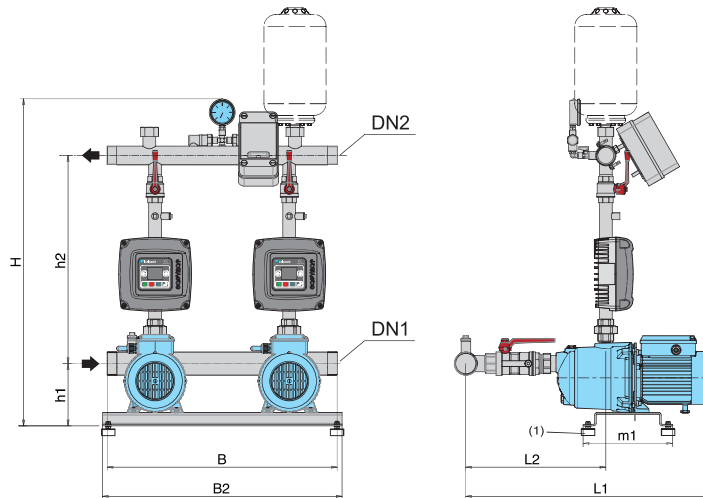
Characteristic, dimensions and weights



Mains: 1~ 230V Motor: 3~ 230V	mains A	motor A	Mains: 1~ 230V Motor: 1~ 230V	A	P ₂		Connection		mm							
					kW	HP	DN1	DN2	H	h1	h2	L1	L2	m1	B	B2
BSM1V 1MGP 202-EMT	2,1	1,7	BSM1V 1MGPM 202-EMM	2,3	0,33	0,45	G 1	G 1	691	116	535	516	269	95	200	146
BSM1V 1MGP 203-EMT	3,2	2,4	BSM1V 1MGPM 203-EMM	3	0,45	0,6						516				
BSM1V 1MGP 204-EMT	4	2,8	BSM1V 1MGPM 204-EMM	3,3	0,55	0,75						516				
BSM1V 1MGP 205/A-EMT	5	3,5	BSM1V 1MGPM 205-EMM	5,4	0,75	1						545				
BSM1V 1MGP 402-EMT	3,2	2,4	BSM1V 1MGPM 402-EMM	3	0,45	0,6	G 1	G 1	691	116	535	516	269	95	200	146
BSM1V 1MGP 403-EMT	4,3	3	BSM1V 1MGPM 403-EMM	3,5	0,55	0,75						516				
BSM1V 1MGP 404/A-EMT	5	3,5	BSM1V 1MGPM 404-EMM	5,4	0,75	1						545				
BSM1V 1MGP 405-EMT	6,4	4,5	BSM1V 1MGPM 405-EMM	7	1,1	1,5						575				

Dimensions not binding to be verified when ordering

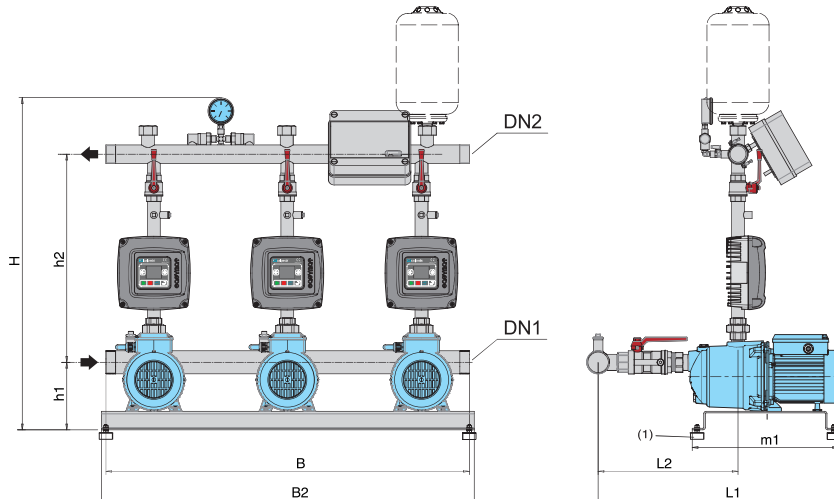
Characteristic and dimensions



Mains: 1~ 230V Motor: 3~ 230V	mains		P ₂		Connection		mm							
	A	A	kW	HP	DN1	DN2	H	h1	h2	L1	L2	m1	B	B2
BSM2V 2MGP 202-EMT	2 x 2,1	2 x 1,7	2 x 0,33	2 x 0,45	G 2	G 1 1/2	783	151	480	566	319	240	600	625
BSM2V 2MGP 203-EMT	2 x 3,2	2 x 2,4	2 x 0,45	2 x 0,6						566				
BSM2V 2MGP 204-EMT	2 x 4	2 x 2,8	2 x 0,55	2 x 0,75						566				
BSM2V 2MGP 205/A-EMT	2 x 5	2 x 3,5	2 x 0,75	2 x 1						595				
BSM2V 2MGP 402-EMT	2 x 3,2	2 x 2,4	2 x 0,45	2 x 0,6	G 2	G 1 1/2	783	151	480	566	319	240	600	625
BSM2V 2MGP 403-EMT	2 x 4,3	2 x 3	2 x 0,55	2 x 0,75						566				
BSM2V 2MGP 404/A-EMT	2 x 5	2 x 3,5	2 x 0,75	2 x 1						595				
BSM2V 2MGP 405-EMT	2 x 6,4	2 x 4,5	2 x 1,1	2 x 1,5						625				

Dimensions not binding to be verified when ordering

(1) Anti-vibration pads kit supplied loose as standard

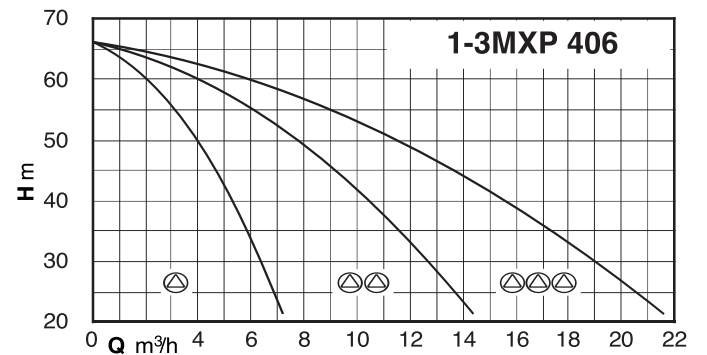
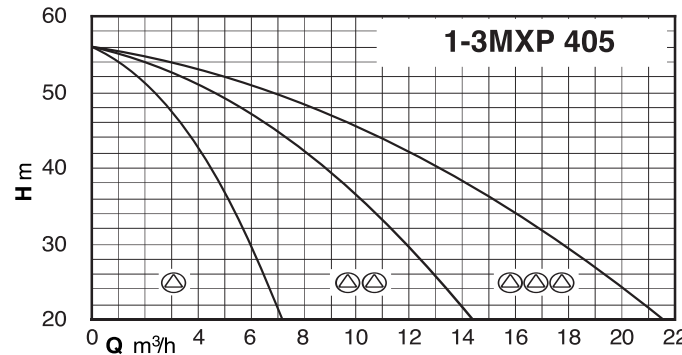
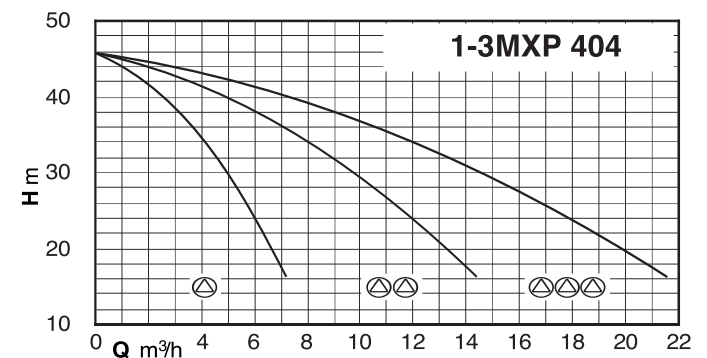
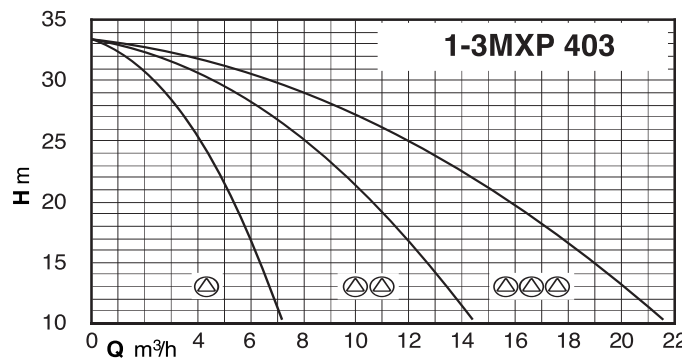
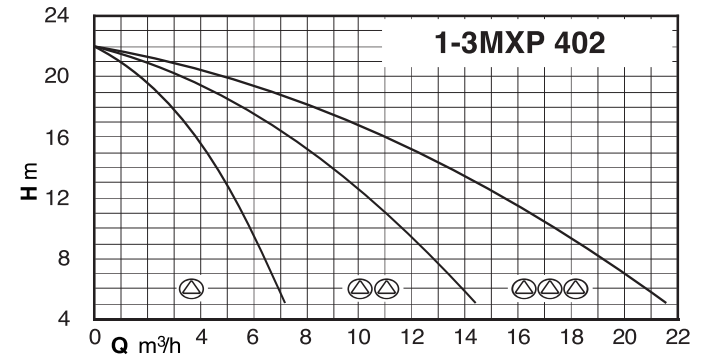
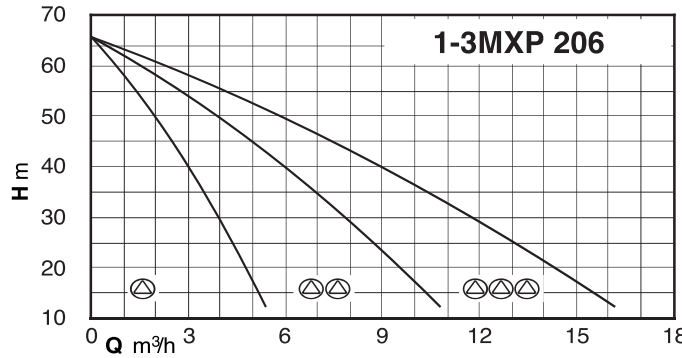
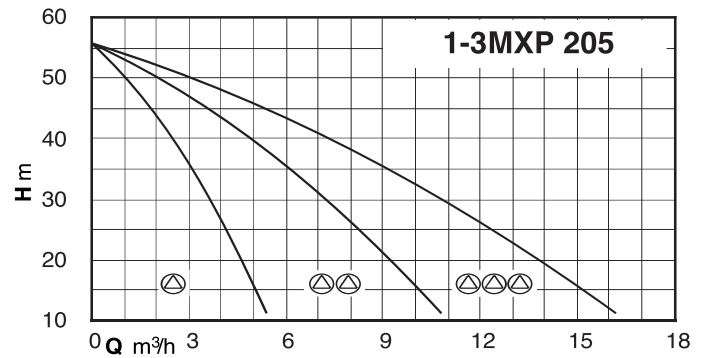
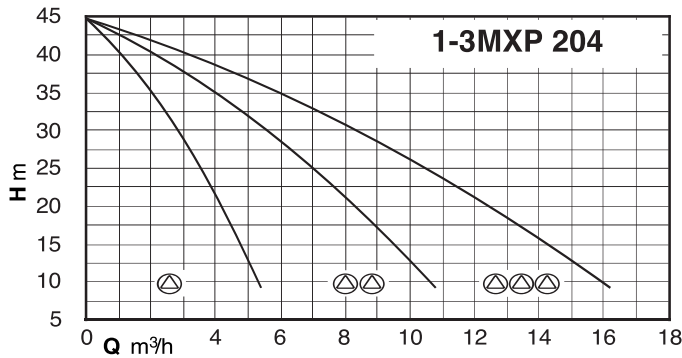
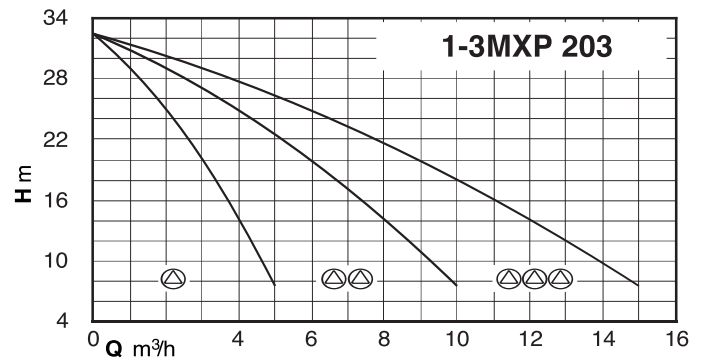
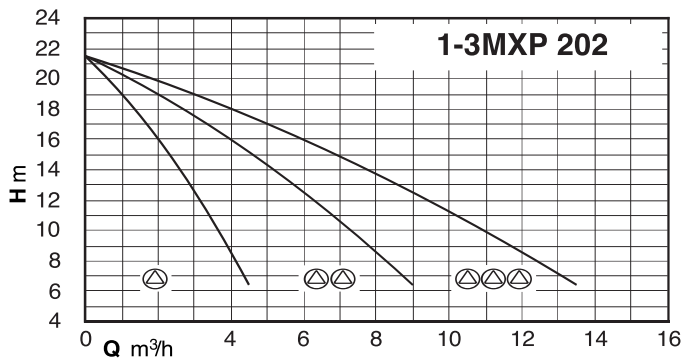


Mains: 1~ 230V Motor: 3~ 230V	mains		P ₂		Connection		mm							
	A	A	kW	HP	DN1	DN2	H	h1	h2	L1	L2	m1	B	B2
BSM3V 3MGP 202-EMT	3 x 2,1	3 x 1,7	3 x 0,33	3 x 0,45	G 2 1/2	G 2	805	167	486	573	326	305	950	1000
BSM3V 3MGP 203-EMT	3 x 3,2	3 x 2,4	3 x 0,45	3 x 0,6						573				
BSM3V 3MGP 204-EMT	3 x 4	3 x 2,8	3 x 0,55	3 x 0,75						573				
BSM3V 3MGP 205/A-EMT	3 x 5	3 x 3,5	3 x 0,75	3 x 1						602				
BSM3V 3MGP 402-EMT	3 x 3,2	3 x 2,4	3 x 0,45	3 x 0,6	G 2 1/2	G 2	805	167	486	573	326	305	950	1000
BSM3V 3MGP 403-EMT	3 x 4,3	3 x 3	3 x 0,55	3 x 0,75						573				
BSM3V 3MGP 404/A-EMT	3 x 5	3 x 3,5	3 x 0,75	3 x 1						602				
BSM3V 3MGP 405-EMT	3 x 6,4	3 x 4,5	3 x 1,1	3 x 1,5						632				

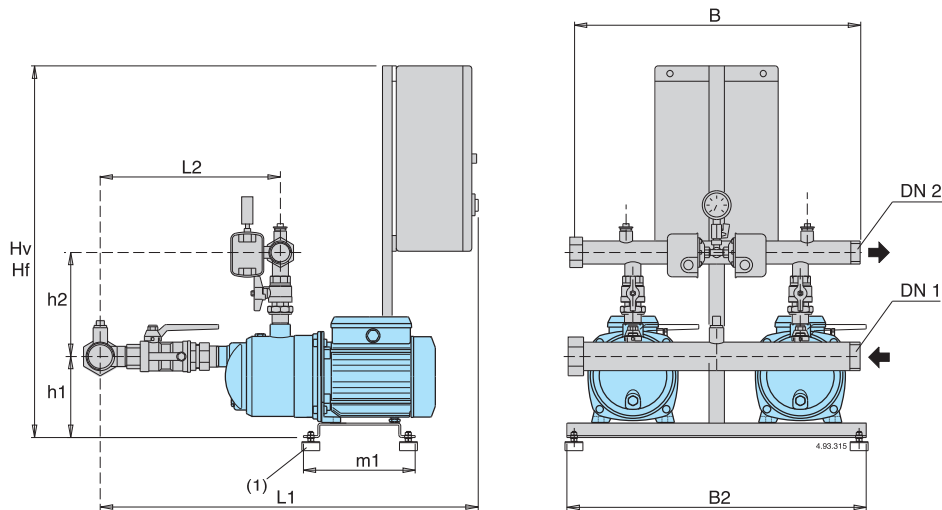
Dimensions not binding to be verified when ordering

(1) Anti-vibration pads kit supplied loose as standard

Coverage chart



Characteristic, dimensions and weights



(1) Anti-vibration pads kit supplied loose as standard

Hf= Fixed speed boosting sets
Hv= Variable speed boosting sets

BS2F BSM2F

Mains: 400V 3~ Motor: 400V 3~	Mains: 230V 1~ Motor: 230V 1~	Motor		Q max* l/min	Pres. switch setting		Connection		mm								kg	Vessel	
		kW	HP		bar	bar	DN1	DN2	Hf	h1	h2	L1	L2	m1	B2	B		Mem.	Vessel
BS2F 2MXP 203	BSM2F 2MXPM 203	0,45+0,45	0,6+0,6	155	1,4±2,6	1,0±2,2	G 2	G 1 1/2	857	151	191	729	319	240	625	600	41	24x2	100
BS2F 2MXP 204/A	BSM2F 2MXPM 204/A	0,55+0,55	0,75+0,75	160	2,0±3,2	1,5±2,7	G 2	G 1 1/2	857	151	191	729	319				46	24x2	100
BS2F 2MXP 205/A	BSM2F 2MXPM 205	0,75+0,75	1+1	160	3,0±4,5	2,5±4,0	G 2	G 1 1/2	857	151	191	729	319				48	24x2	100
BS2F 2MXP 206	BSM2F 2MXPM 206	0,75+0,75	1+1	160	3,7±5,3	3,4±5	G 2	G 1 1/2	857	187	198	779	369				48	24x2	100
BS2F 2MXP 403/A	BSM2F 2MXPM 403/A	0,55+0,55	0,75+0,75	230	1,5±2,7	1,2±2,4	G 2	G 1 1/2	857	151	191	729	319				46	24x2	100
BS2F 2MXP 404/B	BSM2F 2MXPM 404/A	0,75+0,75	1+1	220	2,4±3,6	2,0±3,2	G 2	G 1 1/2	857	151	191	729	319				48	80	200
BS2F 2MXP 405	BSM2F 2MXPM 405	1,1+1,1	1,5+1,5	220	3,0±4,5	3,5±4,0	G 2	G 1 1/2	857	151	191	729	319				54	80	200
BS2F 2MXP 406	BSM2F 2MXPM 406	1,5+1,5	2+2	220	3,8±5,4	3,5±5,1	G 2	G 1 1/2	857	187	198	779	369				80	200	200

* Maximum pumps flow at minimum set pressure of 2nd pressure switch.

BS1V1F BSM1V1F

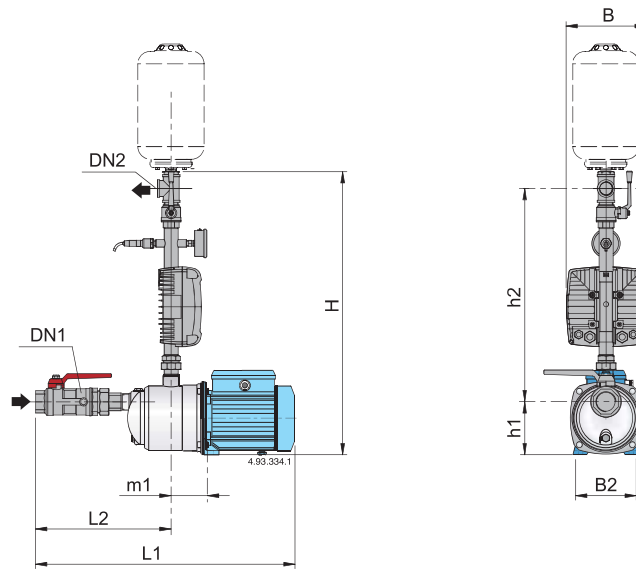
Mains: 400V 3~ Motor: 400V 3~	Mains: 230V 1~ Motor: 230V 3~ and 230V 1~	Motor		Connection		mm								Weight kg	Vessel Membrane litre	
		kW	HP	DN1	DN2	Hf	h1	h2	L1	L2	m1	B2	B			
BS1V1F 2MXP 203	BSM1V1F 2MXP 203	0,45+0,45	0,6+0,6	G 2	G 1 1/2	1349	257	206	814	319	476	625	600	41	24x2	
BS1V1F 2MXP 204/A	BSM1V1F 2MXP 204/A	0,55+0,55	0,75+0,75	G 2	G 1 1/2	1349	257	206	814	319				46	24x2	
BS1V1F 2MXP 205/A	BSM1V1F 2MXP 205	0,75+0,75	1+1	G 2	G 1 1/2	1349	257	206	814	319				48	24x2	
BS1V1F 2MXP 206	BSM1V1F 2MXP 206	0,75+0,75	1+1	G 2	G 1 1/2	1349	293	213	864	369				48	24x2	
BS1V1F 2MXP 403/A	BSM1V1F 2MXP 403/A	0,55+0,55	0,75+0,75	G 2	G 1 1/2	1349	257	206	814	319				46	24x2	
BS1V1F 2MXP 404/B	BSM1V1F 2MXP 404/A	0,75+0,75	1+1	G 2	G 1 1/2	1349	257	206	814	319				48	80	
BS1V1F 2MXP 405	BSM1V1F 2MXP 405	1,1+1,1	1,5+1,5	G 2	G 1 1/2	1349	257	206	814	319				54	80	
BS1V1F 2MXP 406	BSM1V1F 2MXP 406	1,5+1,5	2+2	G 2	G 1 1/2	1349	293	213	864	369				80	80	

BS2V BSM2V

Mains: 400V 3~ Motor: 400V 3~	Mains: 230V 1~ Motor: 230V 3~	Motor		Connection		mm								Weight kg	Vessel Membrane litre	
		kW	HP	DN1	DN2	Hf	h1	h2	L1	L2	m1	B2	B			
BS2V 2MXP 203	BSM2V 2MXP 203	0,45+0,45	0,6+0,6	G 2	G 1 1/2	1349	257	206	814	319	476	625	600	41	24x2	
BS2V 2MXP 204/A	BSM2V 2MXP 204/A	0,55+0,55	0,75+0,75	G 2	G 1 1/2	1349	257	206	814	319				46	24x2	
BS2V 2MXP 205/A	BSM2V 2MXP 205	0,75+0,75	1+1	G 2	G 1 1/2	1349	257	206	814	319				48	24x2	
BS2V 2MXP 206	BSM2V 2MXP 206	0,75+0,75	1+1	G 2	G 1 1/2	1349	293	213	864	369				48	24x2	
BS2V 2MXP 403/A	BSM2V 2MXP 403/A	0,55+0,55	0,75+0,75	G 2	G 1 1/2	1349	257	206	814	319				46	24x2	
BS2V 2MXP 404/B	BSM2V 2MXP 404/A	0,75+0,75	1+1	G 2	G 1 1/2	1349	257	206	814	319				48	80	
BS2V 2MXP 405	BSM2V 2MXP 405	1,1+1,1	1,5+1,5	G 2	G 1 1/2	1349	257	206	814	319				54	80	
BS2V 2MXP 406	BSM2V 2MXP 406	1,5+1,5	2+2	G 2	G 1 1/2	1349	293	213	814	369				80	80	

Dimensions not binding to be verified when ordering

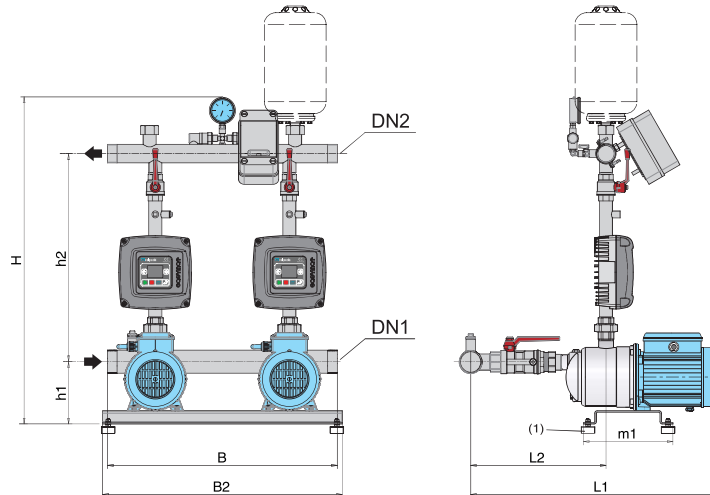
Characteristic, dimensions and weights



Mains: 1~ 230V Motor: 3~ 230V	mains. A	motor A	Mains: 1~ 230V Motor: 1~ 230V	A	P ₂		Connection		mm							
					kW	HP	DN1	DN2	H	h1	h2	L1	L2	m1	B	B2
BSM1V 1MXP 202-EMT	2,1	1,7	BSM1V 1MXPM 202-EMM	2,3	0,33	0,45	G 1	G 1	701	116	545	516	269	95	200	146
BSM1V 1MXP 203-EMT	3,2	2,4	BSM1V 1MXPM 203-EMM	3	0,45	0,6						516				
BSM1V 1MXP 204/A-EMT	4	2,8	BSM1V 1MXPM 204/A-EMM	3,3	0,55	0,75						545				
BSM1V 1MXP 205/A-EMT	5	3,5	BSM1V 1MXPM 205-EMM	5,4	0,75	1						545				
BSM1V 1MXP 206-EMT	5	3,5	BSM1V 1MXPM 206-EMM	5,4	0,75	1	G 1 1/4	G 1	744	152	552	646	324	113	214	185
BSM1V 1MXP 402-EMT	3,2	2,4	BSM1V 1MXPM 402-EMM	3	0,45	0,6	G 1	G 1	701	116	545	516	269	95	200	146
BSM1V 1MXP 403/A-EMT	4,3	3	BSM1V 1MXPM 403/A-EMM	3,5	0,55	0,75						516				
BSM1V 1MXP 404/B-EMT	5	3,5	BSM1V 1MXPM 404/A-EMM	5,4	0,75	1						545				
BSM1V 1MXP 405-EMT	6,4	4,5	BSM1V 1MXPM 405-EMM	7	1,1	1,5						575				
BSM1V 1MXP 406-EMT	10,8	7,5	BSM1V 1MXPM 406-EMM	9,2	1,5	2	G 1 1/4	G 1	744	152	552	673	324	113	214	185

Dimensions not binding to be verified when ordering

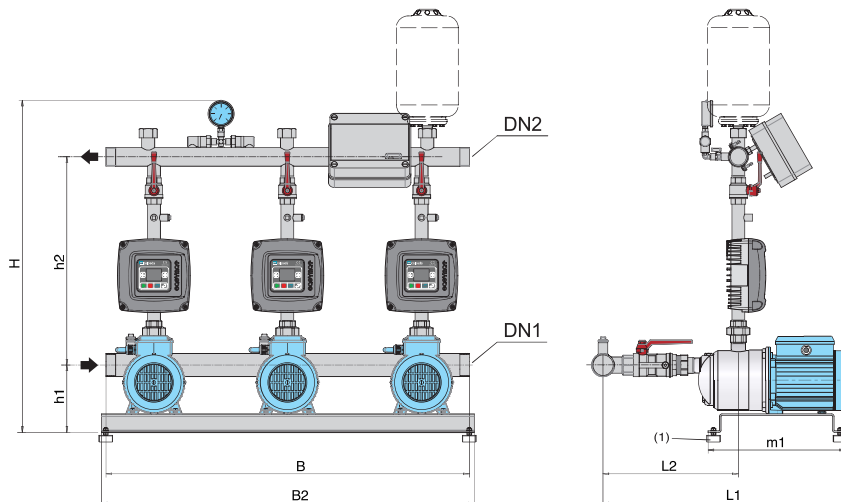
Characteristic and dimensions



Mains: 1~ 230V Motor: 3~ 230V	mains		P ₂		Connection		mm							
	A	A	kW	HP	DN1	DN2	H	h1	h2	L1	L2	m1	B	B2
BSM2V 2MXP 202-EMT	2 x 2,1	2 x 1,7	2 x 0,33	2 x 0,45	G 2	G 1 1/2	793	151	490	566	319	240	600	625
BSM2V 2MXP 203-EMT	2 x 3,2	2 x 2,4	2 x 0,45	2 x 0,6						566				
BSM2V 2MXP 204/A-EMT	2 x 4	2 x 2,8	2 x 0,55	2 x 0,75						595				
BSM2V 2MXP 205/A-EMT	2 x 5	2 x 3,5	2 x 0,75	2 x 1						595				
BSM2V 2MXP 206-EMT	2 x 5	2 x 3,5	2 x 0,75	2 x 1	836	187	497	691	369					
BSM2V 2MXP 402-EMT	2 x 3,2	2 x 2,4	2 x 0,45	2 x 0,6	G 2	G 1 1/2	793	151	490	566	319	240	600	625
BSM2V 2MXP 403/A-EMT	2 x 4,3	2 x 3	2 x 0,55	2 x 0,75						595				
BSM2V 2MXP 404/B-EMT	2 x 5	2 x 3,5	2 x 0,75	2 x 1						595				
BSM2V 2MXP 405-EMT	2 x 6,4	2 x 4,5	2 x 1,1	2 x 1,5						625				
BSM2V 2MXP 406-EMT	2 x 10,8	2 x 7,5	2 x 1,5	2 x 2						625				
										836				

Dimensions not binding to be verified when ordering

(1) Anti-vibration pads kit supplied loose as standard



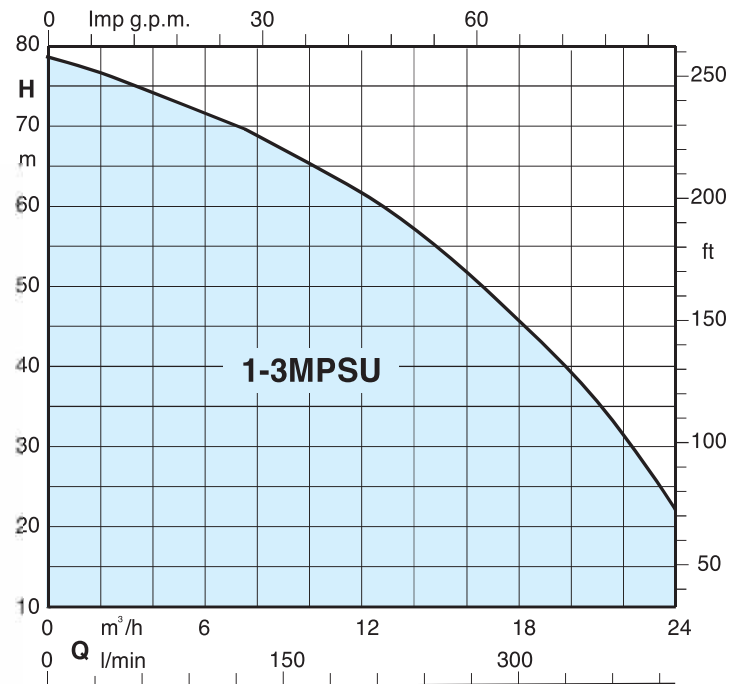
Mains: 1~ 230V Motor: 3~ 230V	mains		P ₂		Connection		mm							
	A	A	kW	HP	DN1	DN2	H	h1	h2	L1	L2	m1	B	B2
BSM3V 3MXP 202-EMT	3 x 2,1	3 x 1,7	3 x 0,33	3 x 0,45	G 2 1/2	G 2	815	167	496	573	326	305	950	1000
BSM3V 3MXP 203-EMT	3 x 3,2	3 x 2,4	3 x 0,45	3 x 0,6						573				
BSM3V 3MXP 204/A-EMT	3 x 4	3 x 2,8	3 x 0,55	3 x 0,75						602				
BSM3V 3MXP 205/A-EMT	3 x 5	3 x 3,5	3 x 0,75	3 x 1						602				
BSM3V 3MXP 206-EMT	3 x 5	3 x 3,5	3 x 0,75	3 x 1	858	203	503	699	377					
BSM3V 3MXP 402-EMT	3 x 3,2	3 x 2,4	3 x 0,45	3 x 0,6	G 2 1/2	G 2	815	167	496	573	326	305	950	1000
BSM3V 3MXP 403/A-EMT	3 x 4,3	3 x 3	3 x 0,55	3 x 0,75						602				
BSM3V 3MXP 404/B-EMT	3 x 5	3 x 3,5	3 x 0,75	3 x 1						602				
BSM3V 3MXP 405-EMT	3 x 6,4	3 x 4,5	3 x 1,1	3 x 1,5						632				
BSM3V 3MXP 406-EMT	3 x 10,8	3 x 7,5	3 x 1,5	3 x 2						632				
										858				

Dimensions not binding to be verified when ordering

(1) Anti-vibration pads kit supplied loose as standard



Coverage chart



Operation

BS 1-6F Pressure boosting sets with 1 to 6 fixed speed pump.
Sets with 4,5 and 6 pumps on request.
Depending on the reduction of the pressure in the system, the pressure switches determine the starting up of the pumps in sequence and the microprocessor alternates the starts.

BS1-3V Pressure boosting sets with 1 to 3 variable speed pumps (with EASYMAT).
Depending on water consumption, one or more pumps are activated, all at variable speed, in order to guarantee the quantity of water required at the set pressure.

BS1V2-5F Pressure boosting sets with 1 variable speed pump (with frequency converter into the control panel) and from 1 to 5 fixed speed pumps.
Sets with 4,5 and 6 pumps on request.
According to the water consumption, one or more pumps start, one at variable speed and the others at fixed speed, to grant the water quantity required at the set pressure.

BS1-6V Pressure boosting sets with 1 to 6 variable speed pumps (with frequency converter into the control panel).
Sets with 4,5 and 6 pumps on request.
Depending on water consumption, one or more pumps are activated, all at variable speed, in order to guarantee the quantity of water required at the set pressure.

Construction

- Automatic pressure boosting plant consisting of 1 to 6 vertical multi-stage close coupled pumps complete with ball, non return valve on the suction side and ball valves on the delivery side.

Suction and delivery manifolds for boosting sets with 2,3 pumps:
- stainless steel AISI 304.
Connections are located on the delivery manifold for the installation of vessels G1 connection.

Electrical control boards:
- with microprocessor for fixed speed pump units.
- with frequency converter for variable speed pump units.

The unit includes one pressure gauge and three adjustable differential pressure switches or pressure transducer.

Applications

To supply water in civil and industrial buildings.
As pressure boosting pump to increase water pressure when needed (follow local rules).

Motors

2-pole induction motors, 50 Hz, $n \approx 2900$ rpm, suitable for operation with frequency converter.
- Three-phase 230V - 400V $\pm 10\%$;
- Single-phase 230 V $\pm 10\%$.
Insulation class F.
Protection IP 68.
Constructed in accordance with: IEC 60034.
Other voltages and frequencies on request.

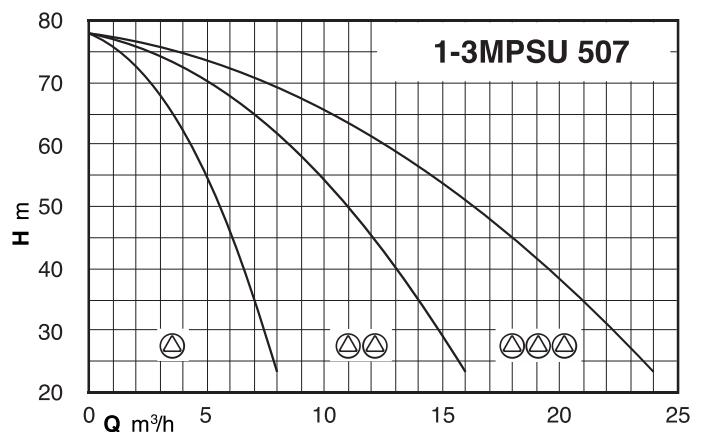
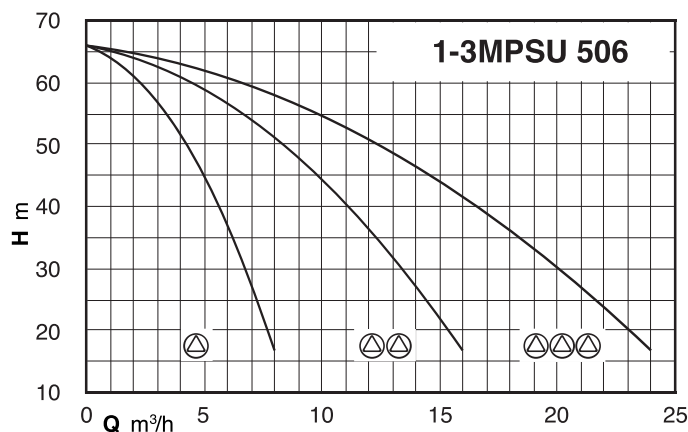
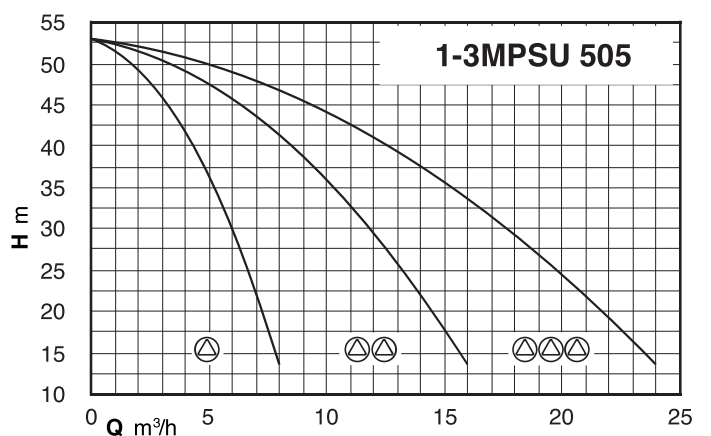
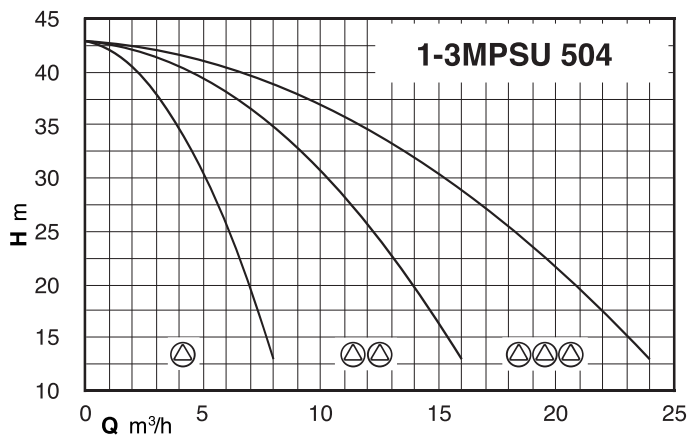
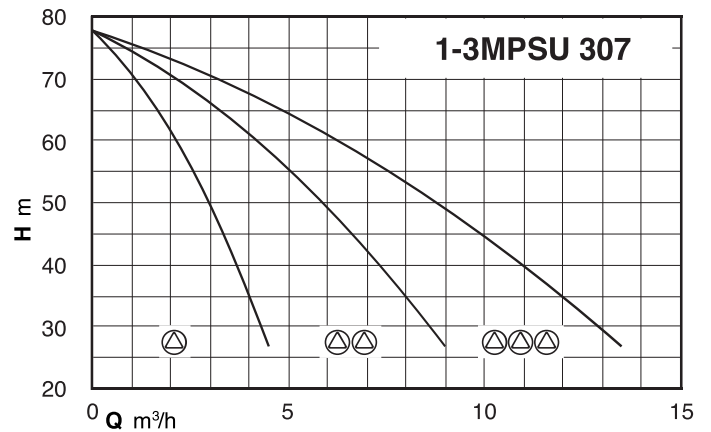
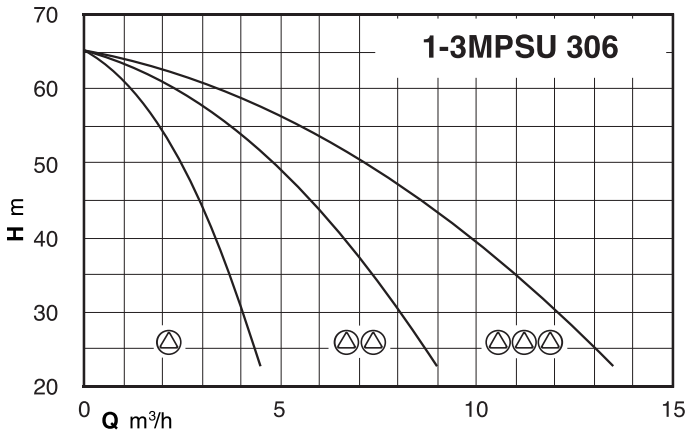
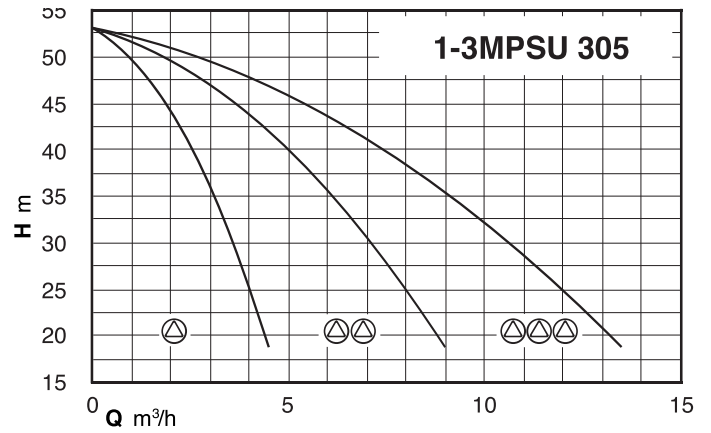
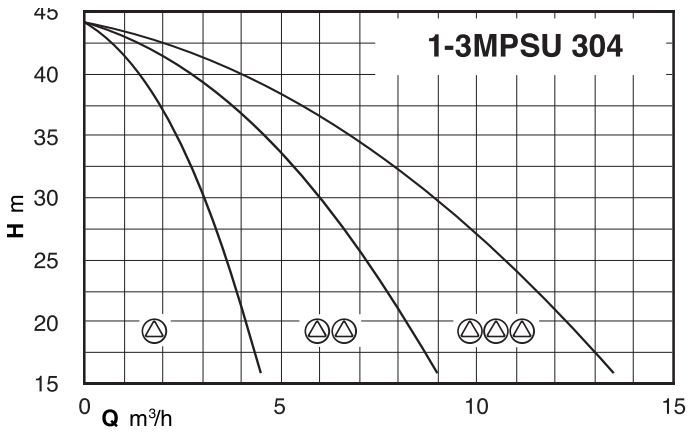
Vessels on request

When installing the unit, connect in the delivery section to a diaphragm or galvanised tank.
The recommended sized are shown in the following page.

Special features on request

Pressure boosting sets with 4,5 and 6 pumps.

Coverage chart



Performance

BS1F

BSM1F

Mains: 400V 3~ Motor: 400V 3~	Mains: 230V 1~ Motor: 230V 1~	Motor		Pres. switch 1 bar		Maximum capacity *		Vessel Membrane litre	Vessel litre
		kW	HP	min	max	Q l/min	H m		
BS1F 1MPSU 304	BSM1F 1MPSUM 304	0,55	0,75	2,3	3,8	63	23	40	100
BS1F 1MPSU 305	BSM1F 1MPSUM 305	0,75	1	3	4,5	58	31	40	100
BS1F 1MPSU 306	BSM1F 1MPSUM 306	0,9	1,2	3,8	5,8	56	39	50	100
BS1F 1MPSU 307	BSM1F 1MPSUM 307	0,9	1,2	4,7	6,4	52	48	50	100
BS1F 1MPSU 504	BSM1F 1MPSUM 504	0,9	1,2	2,1	3,6	115	21	60	100
BS1F 1MPSU 505	BSM1F 1MPSUM 505	1,1	1,5	3	4,5	104	31	80	200
BS1F 1MPSU 506	BSM1F 1MPSUM 506	1,1	1,5	4,3	6	85	44	150	200
BS1F 1MPSU 507	BSM1F 1MPSUM 507	1,5	2	5,3	7,1	84	54	150	200

* Maximum pumps flow at minimum setting pressure switch.

BS2F

BSM2F

Mains: 400V 3~ Motor: 400V 3~	Alimentazione 230V 1~ Motore 230V 1~	Motor		Pres. switch 1 bar		Pres. switch 2 bar		Maximum capacity *		Vessel Membrane litre	Vessel litre
		kW	HP	min	max	min	max	Q l/min	H m		
BS2F 2MPSU 304	BSM2F 2MPSUM 304	0,55 x2	0,75 x2	2,3	3,8	1,8	3,3	143	18	40	100
BS2F 2MPSU 305	BSM2F 2MPSUM 305	0,75 x2	1 x2	3	4,5	2,5	4	133	25	40	100
BS2F 2MPSU 306	BSM2F 2MPSUM 306	0,9 x2	1,2 x2	3,8	5,8	3,5	5,5	121	36	50	100
BS2F 2MPSU 307	BSM2F 2MPSUM 307	0,9 x2	1,2 x2	4,7	6,4	4,4	6,1	110	45	50	100
BS2F 2MPSU 504	BSM2F 2MPSUM 504	0,9 x2	1,2 x2	2,1	3,6	1,7	3,2	251	17	60	100
BS2F 2MPSU 505	BSM2F 2MPSUM 505	1,1 x2	1,5 x2	3	4,5	2,5	4	233	25	80	200
BS2F 2MPSU 506	BSM2F 2MPSUM 506	1,1 x2	1,5 x2	4,3	6	4,1	5,7	180	41	150	200
BS2F 2MPSU 507	BSM2F 2MPSUM 507	1,5 x2	2 x2	5,3	7,1	5	6,8	178	51	150	200

* Maximum pumps flow at minimum setting pressure of 2nd pressure switch.

BS3F

Mains: 400V 3~ Motor: 400V 3~	Motor		Pres. switch 1 bar		Pres. switch 2 bar		Pres. switch 3 bar		Maximum capacity *		Vessel Membrane litre	Vessel litre
	kW	HP	min	max	min	max	min	max	Q l/min	H m		
BS3F 3MPSU 304	0,55 x3	0,75 x3	2,3	3,8	1,8	3,3	1,3	2,8	235	13	40	100
BS3F 3MPSU 305	0,75 x3	1 x3	3	4,5	2,5	4	2	3,5	220	20	40	100
BS3F 3MPSU 306	0,9 x3	1,2 x3	3,8	5,8	3,5	5,5	3,2	5,2	194	33	40	100
BS3F 3MPSU 307	0,9 x3	1,2 x3	4,7	6,4	4,4	6,1	4,2	5,8	175	42	50	100
BS3F 3MPSU 504	0,9 x3	1,2 x3	2,1	3,6	1,7	3,2	1,2	2,7	403	12	60	100
BS3F 3MPSU 505	1,1 x3	1,5 x3	3	4,5	2,5	4	2	3,5	379	20	80	200
BS3F 3MPSU 506	1,1 x3	1,5 x3	4,3	6	4,1	5,7	3,5	5,4	284	39	150	200
BS3F 3MPSU 507	1,5 x3	2 x3	5,3	7,1	5	6,8	4,8	6,5	279	48	150	200

* Maximum pumps flow at minimum setting pressure of 3rd pressure switch.

BS..

PUMPS Nos						PUMP TYPE	P ₂ For each pump	
1	2	3	4	5	6		kW	HP
BS1V	BS2V BS1V1F BSM1V1F* BSM2V**	BS3V BS1V2F	BS4V BS1V3F	BS5V BS1V4F	BS6V BS1V5F	MPSU 304	0,55	0,75
						MPSU 305	0,75	1
						MPSU 306	0,9	1,2
						MPSU 307	0,9	1,2
						MPSU 504	0,9	1,2
						MPSU 505	1,1	1,5
						MPSU 506	1,1	1,5
						MPSU 507	1,5	2

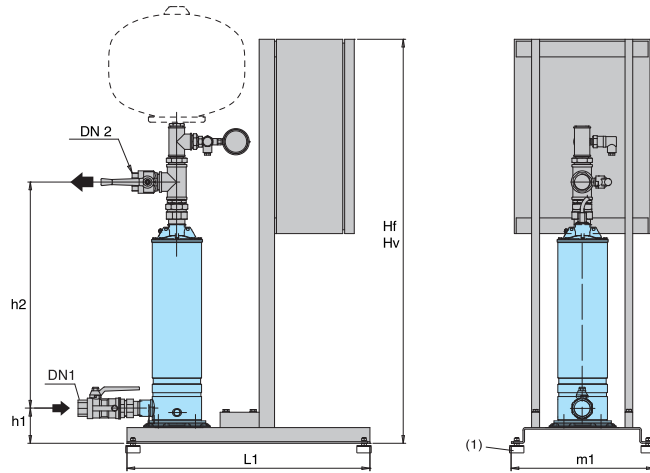
BS.. ..-EMT, EMM

PUMPS Nos			PUMP TYPE	P ₂ For each pump	
1	2	3		kW	HP
BS1V -EMT -EMM	BS2V -EMT	BS3V -EMT	MPSU 304-EMT	0,55	0,75
			MPSU 305-EMT	0,75	1
			MPSU 306-EMT	0,9	1,2
			MPSU 307-EMT	0,9	1,2
			MPSU 504-EMT	0,9	1,2
			MPSU 505-EMT	1,1	1,5
			MPSU 506-EMT	1,1	1,5
			MPSU 507-EMT	1,5	2

(*) SYSTEMS WITH:
1 variable speed pump three-phase motor
1 fixed speed pump single-phase motor
Power supply to control panel 230 V single-phase

(**) Three-phase motor 230 V.
Power supply to control panel: - 230 V three-phase
- 230 V single-phase
Frequency converter output is always 230 V three-phase.

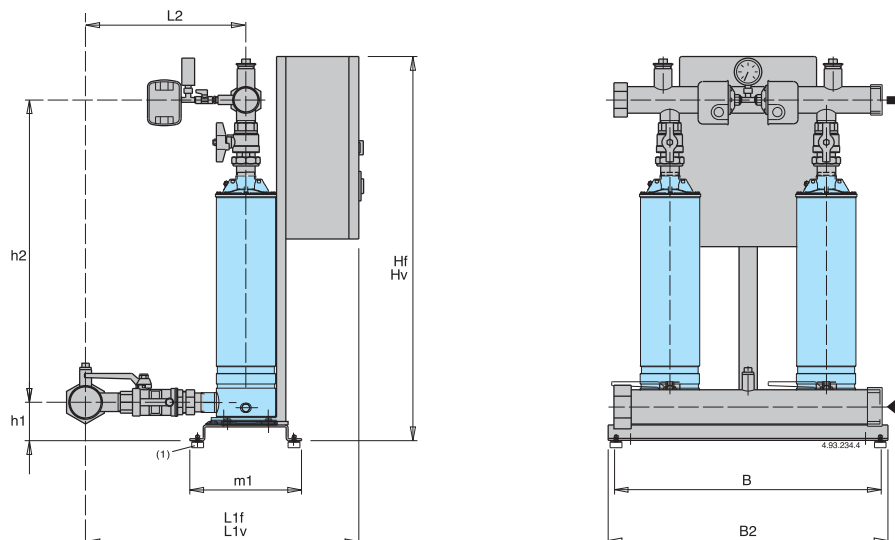
Dimensions and weights



TYPE	TYPE	Connection		mm							weight kg
		DN 1	DN 2	Hf	Hv	h1	h2	L1	m1		
BS1. 1MPSU 304	BSM1. 1MPSUM 304	G 1 1/4	G 1 1/4	875	1045	94	619	625	365		
BS1. 1MPSU 305	BSM1. 1MPSUM 305						668				
BS1. 1MPSU 306	BSM1. 1MPSUM 306						692				
BS1. 1MPSU 307	BSM1. 1MPSUM 307						716				
BS1. 1MPSU 504	BSM1. 1MPSUM 504						644				
BS1. 1MPSU 505	BSM1. 1MPSUM 505						668				
BS1. 1MPSU 506	BSM1. 1MPSUM 506						737				
BS1. 1MPSU 507	BSM1. 1MPSUM 507						786				

Dimensions not binding to be verified when ordering
Hf= Fixed speed boosting sets
Hv= Variable speed boosting sets

(1) Anti-vibration pads kit supplied loose as standard

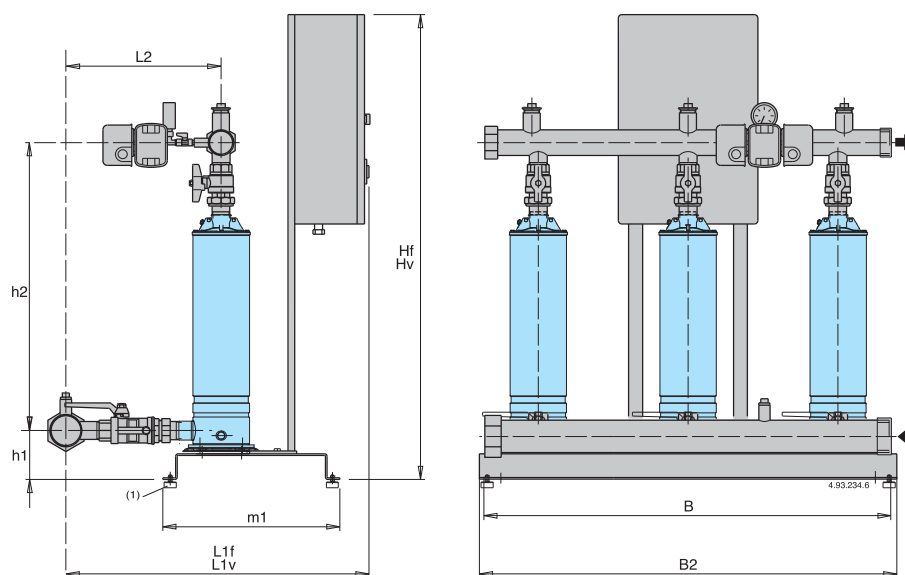


TYPE	TYPE	Connection		mm										weight kg
		DN 1	DN 2	Hf	Hv	h1	h2	L1f	L1v	L2	m1	B	B2	
BS.. 2MPSU 304	BSM.. 2MPSUM 304	G 2	G 2	865	1135	84	629	690	740	320	240	600	625	50 - 50
BS.. 2MPSU 305	BSM.. 2MPSUM 305						698							52 - 52
BS.. 2MPSU 306	BSM.. 2MPSUM 306						722							54 - 55
BS.. 2MPSU 307	BSM.. 2MPSUM 307						746							56 - 58
BS.. 2MPSU 504	BSM.. 2MPSUM 504						674							52 - 52
BS.. 2MPSU 505	BSM.. 2MPSUM 505						698							54 - 54
BS.. 2MPSU 506	BSM.. 2MPSUM 506						767							56 - 57
BS.. 2MPSU 507	BSM.. 2MPSUM 507						816							58 - 60

Dimensions not binding to be verified when ordering

(1) Anti-vibration pads kit supplied loose as standard

Dimensions and weights



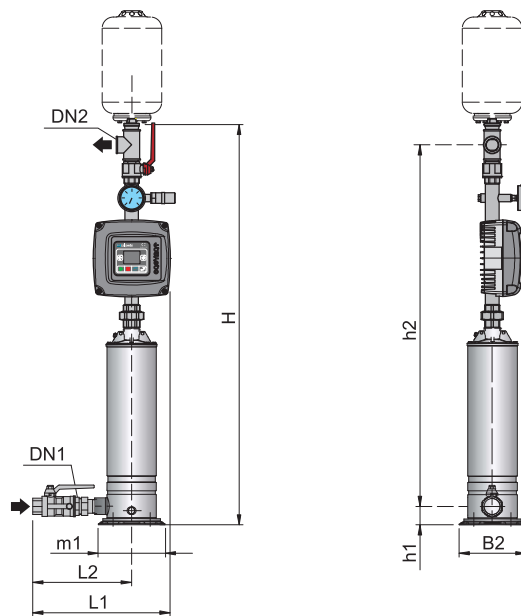
TYPE	Connection		mm										weight kg	
	DN 1	DN 2	Hf	Hv	h1	h2	L1f	L1v	L2	m1	B	B2		
BS.. 3MPSU 304						636								85
BS.. 3MPSU 305						705								88
BS.. 3MPSU 306						729								91
BS.. 3MPSU 307						753								94
BS.. 3MPSU 504	G 2 1/2	G 2	1090	1260	105	681	735	805	329	406	950	1000	87	
BS.. 3MPSU 505						705								90
BS.. 3MPSU 506						774								93
BS.. 3MPSU 507						823								96

Dimensions not binding to be verified when ordering

(1) Anti-vibration pads kit supplied loose as standard

Hf= Fixed speed boosting sets
Hv= Variable speed boosting sets

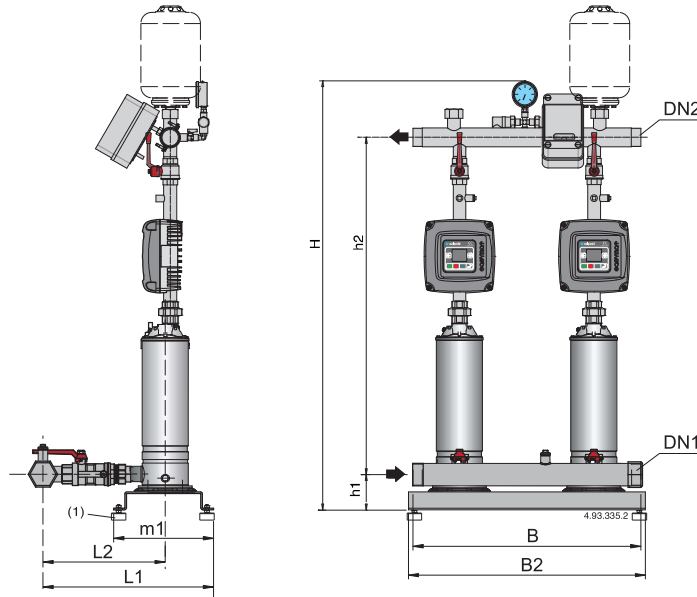
Characteristic and dimensions



Mains: 1~ 230V Motor: 3~ 230V	mains		Mains: 1~ 230V Motor: 1~ 230V	A	P2		Connection		mm							
	A	A			kW	HP	DN1	DN2	H	h1	h2	L1	L2	m1	B2	
BSM1V 1MPSU 304-EMT	3,9	2,8	BSM1V 1MPSUM 304-EMM	4,1	0,55	0,75	G 1 1/4	1 1/4	1055	952	376	286	180	205		
BSM1V 1MPSU 305-EMT	4,7	3,3	BSM1V 1MPSUM 305-EMM	5	0,75	1			1124	1021						
BSM1V 1MPSU 306-EMT	5,4	3,8	BSM1V 1MPSUM 306-EMM	6	0,9	1,2			1148	1045						
BSM1V 1MPSU 307-EMT	6,4	4,5	BSM1V 1MPSUM 307-EMM	6,6	0,9	1,2			1172	1069						
BSM1V 1MPSU 504-EMT	6,4	3,8	BSM1V 1MPSUM 504-EMM	6	0,9	1,2	G 1 1/4	G 1 1/4	1100	997	376	286	180	205		
BSM1V 1MPSU 505-EMT	6,4	4,5	BSM1V 1MPSUM 505-EMM	7	1,1	1,5			1124	1021						
BSM1V 1MPSU 506-EMT	6,9	4,8			1,1	1,5			1193	1090						
BSM1V 1MPSU 507-EMT	9,7	6,8			1,5	2			1142	1139						

Dimensions not binding to be verified when ordering

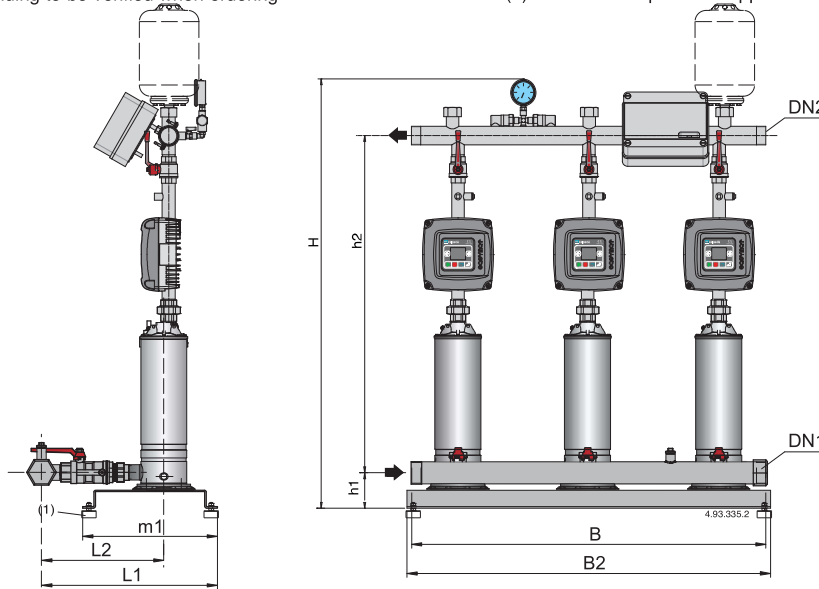
Characteristic and dimensions



Mains: 1~ 230V Motor: 3~ 230V	mains A	motor A	P2		Connection		mm							
			kW	HP	DN1	DN2	H	h1	h2	L1	L2	m1	B	B2
BSM2V 2MPSU 304-EMT	2 x 3,9	2 x 2,8	2 x 0,55	2 x 0,75	G 2	G 2	1130	84	932	420	320	240	600	625
BSM2V 2MPSU 305-EMT	2 x 4,7	2 x 3,3	2 x 0,75	2 x 1			1199		1001					
BSM2V 2MPSU 306-EMT	2 x 5,4	2 x 3,8	2 x 0,9	2 x 1,2			1223		1025					
BSM2V 2MPSU 307-EMT	2 x 6,4	2 x 4,5	2 x 0,9	2 x 1,2			1247		1049					
BSM2V 2MPSU 504-EMT	2 x 6,4	2 x 3,8	2 x 0,9	2 x 1,2	G 2	G 2	1175	84	977	420	320	240	600	625
BSM2V 2MPSU 505-EMT	2 x 6,4	2 x 4,5	2 x 1,1	2 x 1,5			1199		1001					
BSM2V 2MPSU 506-EMT	2 x 6,9	2 x 4,8	2 x 1,1	2 x 1,5			1268		1070					
BSM2V 2MPSU 507-EMT	2 x 9,7	2 x 6,8	2 x 1,5	2 x 2			1317		1119					

Dimensions not binding to be verified when ordering

(1) Anti-vibration pads kit supplied loose as standard



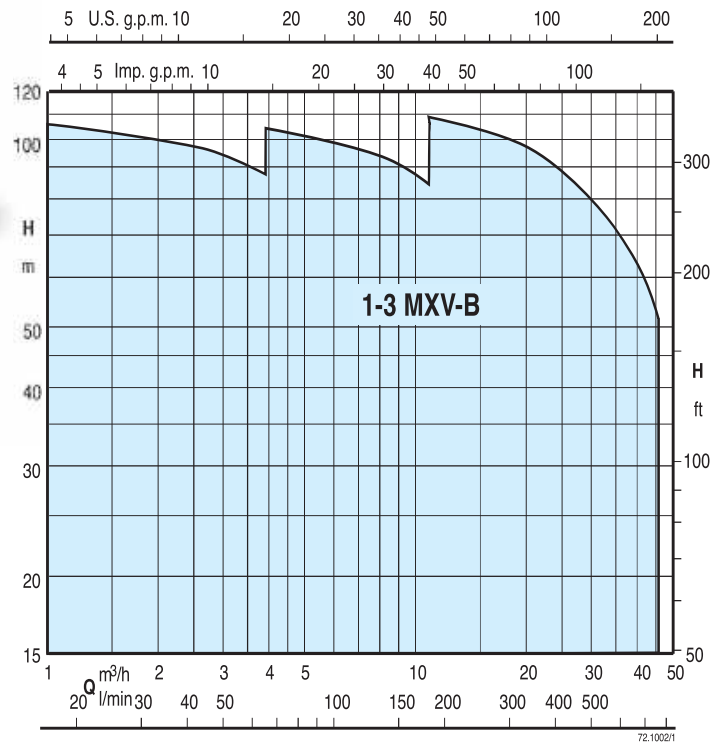
Mains: 1~ 230V Motor: 3~ 230V	mains A	motor A	P2		Connection		mm							
			kW	HP	DN1	DN2	H	h1	h2	L1	L2	m1	B	B2
BSM3V 3MPSU 304-EMT	3 x 3,9	3 x 2,8	3 x 0,55	3 x 0,75	G 2 1/2	G 2	1151	105	953	566	329	406	950	1000
BSM3V 3MPSU 305-EMT	3 x 4,7	3 x 3,3	3 x 0,75	3 x 1			1120		1022					
BSM3V 3MPSU 306-EMT	3 x 5,4	3 x 3,8	3 x 0,9	3 x 1,2			1244		1046					
BSM3V 3MPSU 307-EMT	3 x 6,4	3 x 4,5	3 x 0,9	3 x 1,2			1268		1070					
BSM3V 3MPSU 504-EMT	3 x 6,4	3 x 3,8	3 x 0,9	3 x 1,2	G 2 1/2	G 2	1196	105	998	566	329	406	950	1000
BSM3V 3MPSU 505-EMT	3 x 6,4	3 x 4,5	3 x 1,1	3 x 1,5			1220		1022					
BSM3V 3MPSU 506-EMT	3 x 6,9	3 x 4,8	3 x 1,1	3 x 1,5			1286		1091					
BSM3V 3MPSU 507-EMT	3 x 9,7	3 x 6,8	3 x 1,5	3 x 2			1338		1140					

Dimensions not binding to be verified when ordering

(1) Anti-vibration pads kit supplied loose as standard



Coverage chart



Operation

BS 1-6F Pressure boosting sets with 1 to 6 fixed speed pump. Sets with 4,5 and 6 pumps on request.
Depending on the reduction of the pressure in the system, the pressure switches determine the starting up of the pumps in sequence and the microprocessor alternates the starts.

BS2-3V Pressure boosting sets with 2 to 3 variable speed pumps (with I-MAT).
Depending on water consumption, one or more pumps are activated, all at variable speed, in order to guarantee the quantity of water required at the set pressure.

BS1-3V Pressure boosting sets with 1 to 3 variable speed pumps (with EASYMAT).
Depending on water consumption, one or more pumps are activated, all at variable speed, in order to guarantee the quantity of water required at the set pressure.

BS1V2-5F Pressure boosting sets with 1 variable speed pump (with frequency converter into the control panel) and from 1 to 5 fixed speed pumps. Sets with 4,5 and 6 pumps on request.
According to the water consumption, one or more pumps start, one at variable speed and the others at fixed speed, to grant the water quantity required at the set pressure.

BS1-6V Pressure boosting sets with 1 to 6 variable speed pumps (with frequency converter into the control panel). Sets with 4,5 and 6 pumps on request.
Depending on water consumption, one or more pumps are activated, all at variable speed, in order to guarantee the quantity of water required at the set pressure.

Construction

- Automatic pressure boosting plant consisting of 1 to 6 vertical multi-stage pumps complete with ball, non return valve on the suction side and ball valves on the delivery side.

Suction and delivery manifolds for boosting sets with 2,3 pumps:
- stainless steel AISI 304.
Connections are located on the delivery manifold for the installation of vessels G1 connection.

Electrical control boards:
- with microprocessor for fixed speed pump units. Motor starting is D.O.L.
- with frequency converter for variable speed pump units.

The unit includes one pressure gauge and three adjustable differential pressure switches or pressure transducer.

Applications

To supply water in civil and industrial buildings.
As pressure boosting pump to increase water pressure when needed (follow local rules).

Motors

2-pole induction motors, 50 Hz, $n \approx 2900$ rpm, suitable for operation with frequency converter.
- Three-phase 230/400V $\pm 10\%$.
- Single-phase 230 V $\pm 10\%$, with thermal protector.
Insulation class F.
Protection IP 54.
Constructed in accordance with: IEC 60034.
Other voltages and frequencies on request.

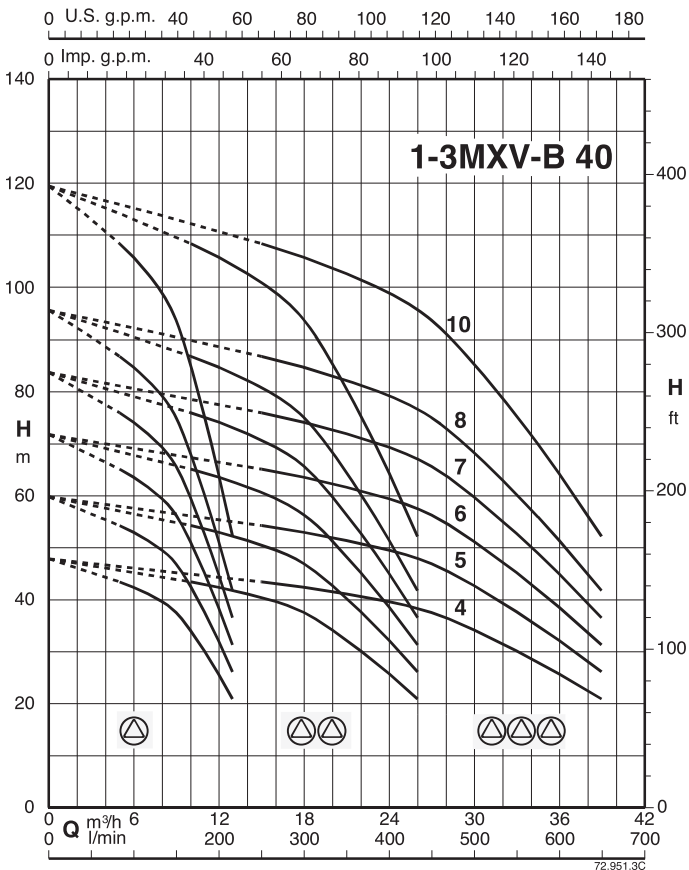
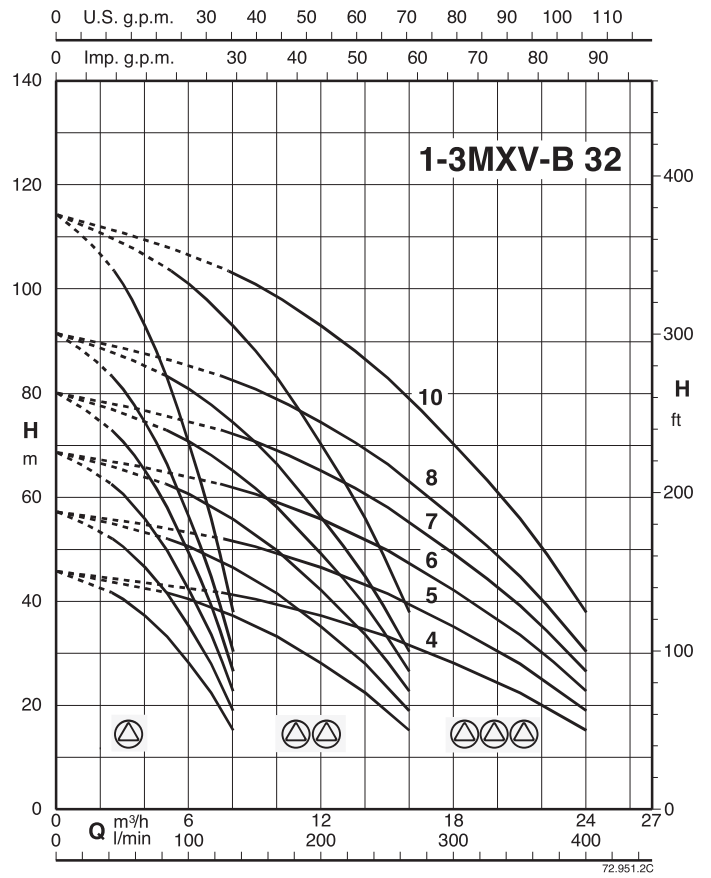
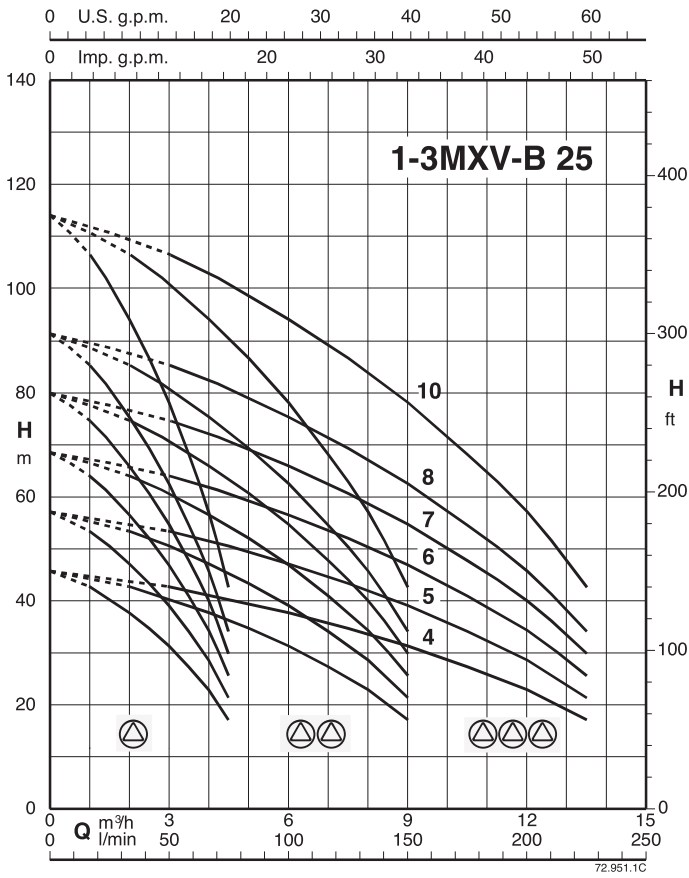
Vessels on request

When installing the unit, connect in the delivery section to a diaphragm or galvanised tank.
The recommended sized are shown in the following page.

Special features on request

Pressure boosting sets with 4,5 and 6 pumps.

Coverage chart



Performance

BS1F

BSM1F

Mains: 400V 3~ Motor: 400V 3~	Mains: 230V 1~ Motor: 230V 1~	Motor		Pres. switch 1 bar		Maximum capacity *		Vessel Membrane litre	Vessel litre
		kW	HP	min	max	Q l/min	H m		
BS1F 1MXV-B 25-204	BSM1F 1MXV-BM 25-204	0,75	1	2,5	4	62	25	40	100
BS1F 1MXV-B 25-205	BSM1F 1MXV-BM 25-205	0,75	1	3,5	5	56	36	50	100
BS1F 1MXV-B 25-206	BSM1F 1MXV-BM 25-206	1,1	1,5	4	6	59	41	50	100
BS1F 1MXV-B 25-207	BSM1F 1MXV-BM 25-207	1,1	1,5	5	7	55	51	50	100
BS1F 1MXV-B 25-208	BSM1F 1MXV-BM 25-208	1,5	2	6	8	51	61	60	100
BS1F 1MXV-B 25-210	BSM1F 1MXV-BM 25-210	1,5	2	6,5	9,5	60	66	60	100
BS1F 1MXV-B 32-404	BSM1F 1MXV-BM 32-404	1,1	1,5	2,3	3,8	114	23	80	100
BS1F 1MXV-B 32-405	BSM1F 1MXV-BM 32-405	1,1	1,5	3,4	4,9	103	35	100	100
BS1F 1MXV-B 32-406	BSM1F 1MXV-BM 32-406	1,5	2	4	6	105	41	100	100
BS1F 1MXV-B 32-407	BSM1F 1MXV-BM 32-407	1,5	2	5	7	99	51	100	300
BS1F 1MXV-B 32-408/A		2,2	3	6	8	93	61	150	300
BS1F 1MXV-B 32-410/A		2,2	3	6,5	9,5	108	66	150	300
BS1F 1MXV-B 40-804	BSM1F 1MXV-BM 40-804	1,5	2	2,5	4	214	25	200	300
BS1F 1MXV-B 40-805/A		2,2	3	3,5	5	211	36	300	500
BS1F 1MXV-B 40-806/A		2,2	3	4	6	211	41	300	500
BS1F 1MXV-B 40-807/A		3	4	5	7	208	51	300	500
BS1F 1MXV-B 40-808/A		3	4	6	8	199	61	300	500
BS1F 1MXV-B 40-810/A		3,7	5	7,5	10,5	199	76	500	800

* Maximum pumps flow at minimum setting pressure switch.

BS2F

BSM2F

Mains: 400V 3~ Motor: 400V 3~	Mains: 230V 1~ Motor: 230V 1~	Motor		Pres. switch 1 bar		Pres. switch 2 bar		Maximum capacity *		Vessel Membrane litre	Vessel litre
		kW	HP	min	max	min	max	Q l/min	H m		
BS2F 2MXV-B 25-204	BSM2F 2MXV-BM 25-204	0,75 x2	1 x2	2,5	4	2,2	3,7	135	22	40	100
BS2F 2MXV-B 25-205	BSM2F 2MXV-BM 25-205	0,75 x2	1 x2	3,5	5	3	4,5	128	31	50	100
BS2F 2MXV-B 25-206	BSM2F 2MXV-BM 25-206	1,1 x2	1,5 x2	4	6	3,5	5,5	130	36	50	100
BS2F 2MXV-B 25-207	BSM2F 2MXV-BM 25-207	1,1 x2	1,5 x2	5	7	4,5	6,5	122	46	50	100
BS2F 2MXV-B 25-208	BSM2F 2MXV-BM 25-208	1,5 x2	2 x2	6	8	5,5	7,5	113	56	60	100
BS2F 2MXV-B 25-210	BSM2F 2MXV-BM 25-210	1,5 x2	2 x2	6,5	9,5	6	9	128	61	60	100
BS2F 2MXV-B 32-404	BSM2F 2MXV-BM 32-404	1,1 x2	1,5 x2	2,3	3,8	1,8	3,3	253	18	80	100
BS2F 2MXV-B 32-405	BSM2F 2MXV-BM 32-405	1,1 x2	1,5 x2	3,4	4,9	3	4,5	226	31	100	100
BS2F 2MXV-B 32-406	BSM2F 2MXV-BM 32-406	1,5 x2	2 x2	4	6	3,5	5,5	232	36	100	100
BS2F 2MXV-B 32-407	BSM2F 2MXV-BM 32-407	1,5 x2	2 x2	5	7	4,5	6,5	218	46	100	300
BS2F 2MXV-B 32-408/A		2,2 x2	3 x2	6	8	5,5	7,5	205	56	150	300
BS2F 2MXV-B 32-410/A		2,2 x2	3 x2	6,5	9,5	6	9	229	61	150	300
BS2F 2MXV-B 40-804	BSM2F 2MXV-BM 40-804	1,5 x2	2 x2	2,5	4	2,2	3,7	435	22	200	300
BS2F 2MXV-B 40-805/A		2,2 x2	3 x2	3,5	5	3	4,5	438	31	300	500
BS2F 2MXV-B 40-806/A		2,2 x2	3 x2	4	6	3,5	5,5	435	36	300	500
BS2F 2MXV-B 40-807/A		3 x2	4 x2	5	7	4,5	6,5	434	46	300	500
BS2F 2MXV-B 40-808/A		3 x2	4 x2	6	8	5,5	7,5	418	56	300	500
BS2F 2MXV-B 40-810/A		3,7 x2	5 x2	8	10	7,5	9,5	399	76	500	800

* Maximum pumps flow at minimum setting pressure of 2nd pressure switch.

Performance

BS3F

Mains: 400V 3~ Motor: 400V 3~	Motor		Pres. switch 1 bar		Pres. switch 2 bar		Pres. switch 3 bar		Maximum capacity *		Vessel Membrane litre	Vessel litre
	kW	HP	min	max	min	max	min	max	Q l/min	H m		
BS3F 3MXV-B 25-204	0,75 x3	1 x3	2,5	4	2,2	3,7	1,9	3,4	216	19	40	100
BS3F 3MXV-B 25-205	0,75 x3	1 x3	3,5	5	3,2	4,7	2,9	4,4	197	30	50	100
BS3F 3MXV-B 25-206	1,1 x3	1,5 x3	4,5	6	4,2	5,7	3,9	5,4	180	40	50	100
BS3F 3MXV-B 25-207	1,1 x3	1,5 x3	5,5	7	5,2	6,7	4,9	6,4	168	50	50	100
BS3F 3MXV-B 25-208	1,5 x3	2 x3	6,5	8	6,2	7,7	5,9	7,4	157	60	60	100
BS3F 3MXV-B 25-210	1,5 x3	2 x3	6,5	9,5	6	9	5,5	8,5	203	56	60	100
BS3F 3MXV-B 32-404	1,1 x3	1,5 x3	2,3	3,8	2	3,5	1,7	3,2	385	17	80	100
BS3F 3MXV-B 32-405	1,1 x3	1,5 x3	3,4	4,9	3,1	4,6	2,8	4,3	353	29	100	100
BS3F 3MXV-B 32-406	1,5 x3	2 x3	4,4	5,9	4,1	5,6	3,8	5,3	329	39	100	100
BS3F 3MXV-B 32-407	1,5 x3	2 x3	5,5	7	5,2	6,7	4,9	6,4	304	50	100	300
BS3F 3MXV-B 32-408/A	2,2 x3	3 x3	6,5	8	6,2	7,7	5,9	7,4	285	60	150	300
BS3F 3MXV-B 32-410/A	2,2 x3	3 x3	6	9	5,5	8,5	5	8	373	51	150	300
BS3F 3MXV-B 40-804	1,5 x3	2 x3	2,5	4	2,2	3,7	1,9	3,4	643	19	200	300
BS3F 3MXV-B 40-805/A	2,2 x3	3 x3	3,5	5	3,2	4,7	2,9	4,4	658	30	300	500
BS3F 3MXV-B 40-806/A	2,2 x3	3 x3	4,5	6	4,2	5,7	3,9	5,4	640	40	300	500
BS2F 3MXV-B 40-807/A	3 x3	4 x3	5,5	7	5,2	6,7	4,9	6,4	632	50	300	500
BS2F 3MXV-B 40-808/A	3 x3	4 x3	6,5	8	6,2	7,7	5,9	7,4	604	60	300	500
BS2F 3MXV-B 40-810/A	3,7 x3	5 x3	8	10	7,5	9,5	7	9	624	71	500	800

* Maximum pumps flow at minimum setting pressure of 3rd pressure switch.

Performance

BS..

PUMPS Nos						PUMP TYPE	P ₂ For each pump	
1	2	3	4	5	6		kW	HP
BS1V	BS2V BS1V1F BSM1V1F* BSM2V**	BS3V BS1V2F	BS4V BS1V3F	BS5V BS1V4F	BS6V BS1V5F	MXV-B 25-204	0,75	1
						MXV-B 25-205	0,75	1
						MXV-B 25-206	1,1	1,5
						MXV-B 25-207	1,1	1,5
						MXV-B 25-208	1,5	2
						MXV-B 25-210	1,5	2
	MXV-B 32-404	1,1	1,5					
	MXV-B 32-405	1,1	1,5					
	MXV-B 32-406	1,5	2					
	MXV-B 32-407	1,5	2					
	MXV-B 32-408/A	2,2	3					
	MXV-B 32-410/A	2,2	3					
	MXV-B 40-804	1,5	2					
	MXV-B 40-805/A	2,2	3					
	MXV-B 40-806/A	2,2	3					
	MXV-B 40-807/A	3	4					
	MXV-B 40-808/A	3	4					
	MXV-B 40-810/A	3,7	5					

BS.. ..-ITT

PUMPS Nos		PUMP TYPE	P ₂ For each pump	
2	3		kW	HP
BS2V -ITT	BS3V -ITT	MXV-B 25-203-ITT	0,75	1
		MXV-B 25-204-ITT	0,75	1
		MXV-B 25-205-ITT	0,75	1
		MXV-B 25-206/A-ITT	1,1	1,5
		MXV-B 25-207/A-ITT	1,1	1,5
		MXV-B 25-208/A-ITT	1,5	2
		MXV-B 25-210/A-ITT	1,5	2
		MXV-B 32-403-ITT	0,75	1
		MXV-B 32-404/A-ITT	1,1	1,5
		MXV-B 32-405/A-ITT	1,1	1,5
		MXV-B 32-406/A-ITT	1,5	2
		MXV-B 32-407/A-ITT	1,5	2
		MXV-B 32-408/B-ITT	2,2	3
		MXV-B 32-410/B-ITT	2,2	3
		MXV-B 40-803/A-ITT	1,1	1,5
		MXV-B 40-804/A-ITT	1,5	2
		MXV-B 40-805/B-ITT	2,2	3
		MXV-B 40-806/B-ITT	2,2	3
MXV-B 40-807/A-ITT	3	4		
MXV-B 40-808/A-ITT	3	4		
MXV-B 40-810/B-ITT	3,7	5		

(*) SYSTEMS WITH:
1 variable speed pump three-phase motor
1 fixed speed pump single-phase motor
Power supply to control panel 230 V single-phase

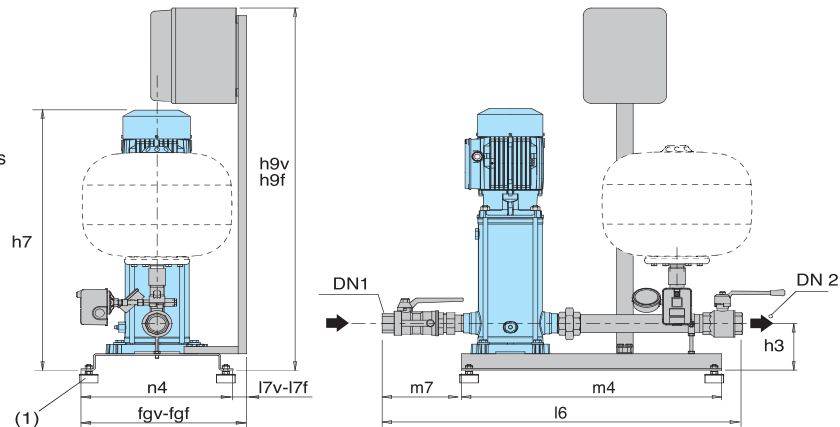
(**) Three-phase motor 230 V.
Power supply to control panel: - 230 V three-phase
- 230 V single-phase
Frequency converter output is always 230 V three-phase.

BS.. ..-EMT, EMM

PUMPS Nos			PUMP TYPE	P ₂ For each pump	
1	2	3		kW	HP
BS1V -EMT -EMM	BS2V -EMT	BS3V -EMT	MXV-B 25-204-EMT	0,75	1
			MXV-B 25-205-EMT	0,75	1
			MXV-B 25-206/A-EMT	1,1	1,5
			MXV-B 25-207/A-EMT	1,1	1,5
			MXV-B 25-208/A-EMT	1,5	2
			MXV-B 25-210/A-EMT	1,5	2
			MXV-B 32-404/A-EMT	1,1	1,5
			MXV-B 32-405/A-EMT	1,1	1,5
			MXV-B 32-406/A-EMT	1,5	2
			MXV-B 32-407/A-EMT	1,5	2
			MXV-B 32-408/B-EMT	2,2	3
			MXV-B 32-410/B-EMT	2,2	3
			MXV-B 40-804/A-EMT	1,5	2
			MXV-B 40-805/B-EMT	2,2	3
			MXV-B 40-806/B-EMT	2,2	3

Dimensions and weights

h9f-l6f-l7f= Fixed speed boosting sets
h9v-l6v-l7v= Variable speed boosting sets
h9i-l6i-l7i= I-MAT boosting sets

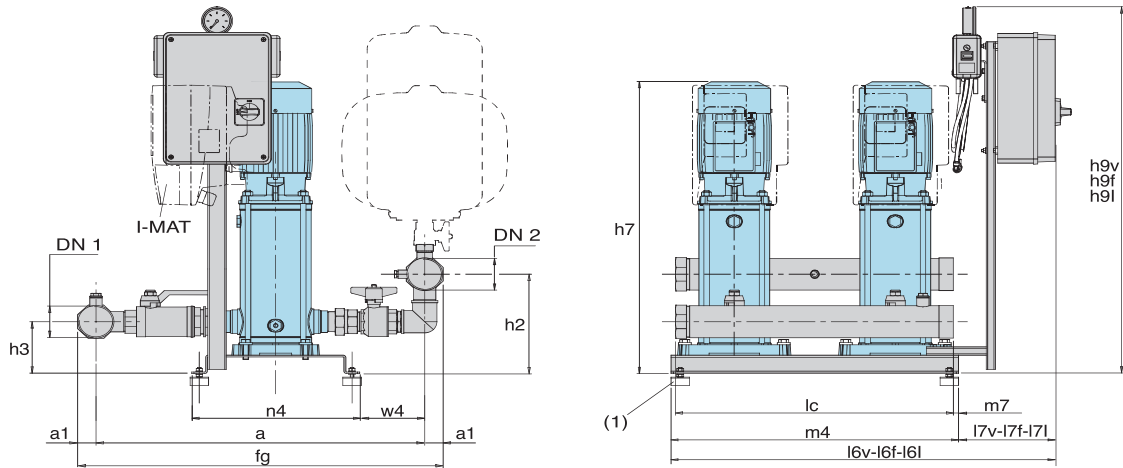


TYPE	TYPE	Connection		mm											
		DN 1	DN 2	h9f	h9v	h7	h3	m4	m7	l6	n4	fgf	fgv	l7f	l7v
BS1. 1MXV-B 25-204	BSM1. 1MXV-BM 25-204	G 1	G 1	1065	1345	609	120	625	140	*	365	*	410	*	45
BS1. 1MXV-B 25-205	BSM1. 1MXV-BM 25-205					632									
BS1. 1MXV-B 25-206	BSM1. 1MXV-BM 25-206					656									
BS1. 1MXV-B 25-207	BSM1. 1MXV-BM 25-207					680									
BS1. 1MXV-B 25-208	BSM1. 1MXV-BM 25-208					704									
BS1. 1MXV-B 25-210	BSM1. 1MXV-BM 25-210		752												
BS1. 1MXV-B 32-404	BSM1. 1MXV-BM 32-404	G 1 1/4	G 1 1/4	1065	1345	609	120	625	175	*	365	*	410	*	45
BS1. 1MXV-B 32-405	BSM1. 1MXV-BM 32-405					632									
BS1. 1MXV-B 32-406	BSM1. 1MXV-BM 32-406					656									
BS1. 1MXV-B 32-407	BSM1. 1MXV-BM 32-407					680									
BS1. 1MXV-B 32-408/A						744									
BS1. 1MXV-B 32-410/A			792												
BS1. 1MXV-B 40-804	BSM1. 1MXV-BM 40-804	G 1 1/2	G 1 1/2	1065	1345	637	125	625	213	*	365	*	410	*	45
BS1. 1MXV-B 40-805/A						707									
BS1. 1MXV-B 40-806/A						737									
BS1. 1MXV-B 40-807/A						790									
BS1. 1MXV-B 40-808/A						820									
BS1. 1MXV-B 40-810/A			997												

Dimensions not binding to be verified when ordering

* Dimensions on request

(1) Anti-vibration pads kit supplied loose as standard



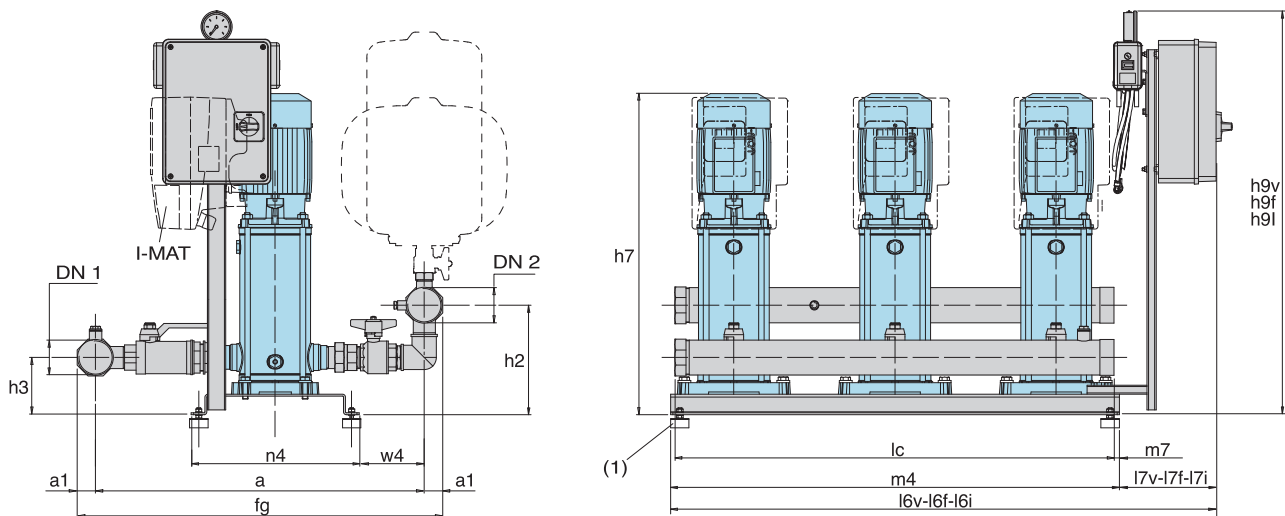
TYPE	TYPE	Connection		mm																			
		DN 1	DN 2	h9f	h9v	h9i	h7	h3	h2	fg	a	a1	n4	w4	lc	m4	m7	l6f	l6v	l6i	l7f	l7v	l7i
BS.. 2MXV-B 25-204 (-ITT)	BSM.. 2MXV-BM 25-204	G 1 1/2	G 1 1/2	965	1145	853	671	119	195	663	610	26,5	365	123	600	625	12,5	840	*	*	215	*	*
BS.. 2MXV-B 25-205 (-ITT)	BSM.. 2MXV-BM 25-205						695																
BS.. 2MXV-B 25-206 (-ITT)	BSM.. 2MXV-BM 25-206						719																
BS.. 2MXV-B 25-207 (-ITT)	BSM.. 2MXV-BM 25-207						777																
BS.. 2MXV-B 25-208 (-ITT)	BSM.. 2MXV-BM 25-208						825																
BS.. 2MXV-B 25-210 (-ITT)	BSM.. 2MXV-BM 25-210		825																				
BS.. 2MXV-B 32-404 (-ITT)	BSM.. 2MXV-BM 32-404	G 2	G 2	965	1145	853	671	119	212	687	623	32	365	105	600	625	12,5	840	*	*	215	*	*
BS.. 2MXV-B 32-405 (-ITT)	BSM.. 2MXV-BM 32-405						695																
BS.. 2MXV-B 32-406 (-ITT)	BSM.. 2MXV-BM 32-406						729																
BS.. 2MXV-B 32-407 (-ITT)	BSM.. 2MXV-BM 32-407						753																
BS.. 2MXV-B 32-408/A (-ITT)							817																
BS.. 2MXV-B 32-410/A (-ITT)			865																				
BS.. 2MXV-B 40-804 (-ITT)	BSM.. 2MXV-BM 40-804	G 2 1/2	G 2 1/2	965	1145	853	710	124	238	795	715	40	365	143	600	625	12,5	840	*	*	215	*	*
BS.. 2MXV-B 40-805/A (-ITT)							780																
BS.. 2MXV-B 40-806/A (-ITT)							810																
BS.. 2MXV-B 40-807/A (-ITT)							866																
BS.. 2MXV-B 40-808/A (-ITT)							896																
BS.. 2MXV-B 40-810/A (-ITT)			956																				

Dimensions not binding to be verified when ordering

* Dimensions on request

(1) Anti-vibration pads kit supplied loose as standard

Dimensions and weights



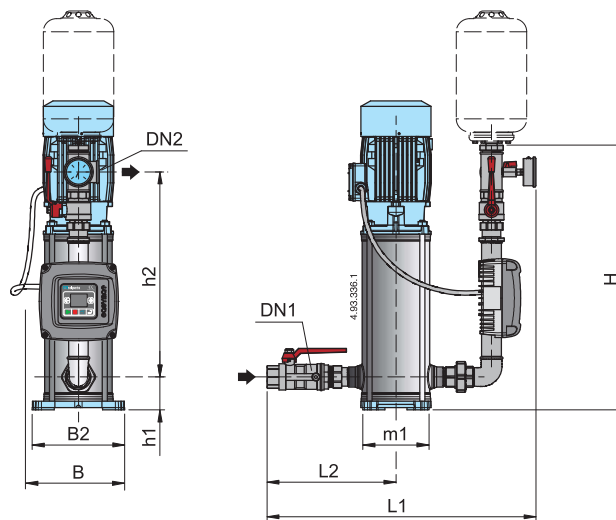
TYPE	Connection		mm																				
	DN 1	DN 2	h9f	h9v	h9i	h7	h3	h2	fg	a	a1	n4	w4	lc	m4	m7	l6f	l6v	l6i	l7f	l7v	l7i	
BS.. 3MXV-B 25-204 (-ITT)						686																	
BS.. 3MXV-B 25-205 (-ITT)						710																	
BS.. 3MXV-B 25-206 (-ITT)						734																	
BS.. 3MXV-B 25-207 (-ITT)	G 2	G 2	965	1145	853	758	134	216	681	617	32	406	102	950	1000	25	840	*	*	215	*	*	
BS.. 3MXV-B 25-208 (-ITT)						792																	
BS.. 3MXV-B 25-210 (-ITT)						840																	
BS.. 3MXV-B 32-404 (-ITT)						686																	
BS.. 3MXV-B 32-405 (-ITT)						710																	
BS.. 3MXV-B 32-406 (-ITT)	G 2 1/2	G 2 1/2	965	1145	853	744	134	234	711	631	40	406	84	950	1000	25	840	*	*	215	*	*	
BS.. 3MXV-B 32-407 (-ITT)						768																	
BS.. 3MXV-B 32-408/A (-ITT)						832																	
BS.. 3MXV-B 32-410/A (-ITT)						880																	
BS.. 3MXV-B 40-804 (-ITT)						725																	
BS.. 3MXV-B 40-805/A (-ITT)						795																	
BS.. 3MXV-B 40-806/A (-ITT)	G 3	G 3	965	1145	853	825	139	259	817	720	48,5	406	121	950	1000	25	840	*	*	215	*	*	
BS.. 3MXV-B 40-807/A (-ITT)						881																	
BS.. 3MXV-B 40-808/A (-ITT)						911																	
BS.. 3MXV-B 40-810/A (-ITT)						971																	

Dimensions not binding to be verified when ordering

* Dimensions on request

(1) Anti-vibration pads kit supplied loose as standard

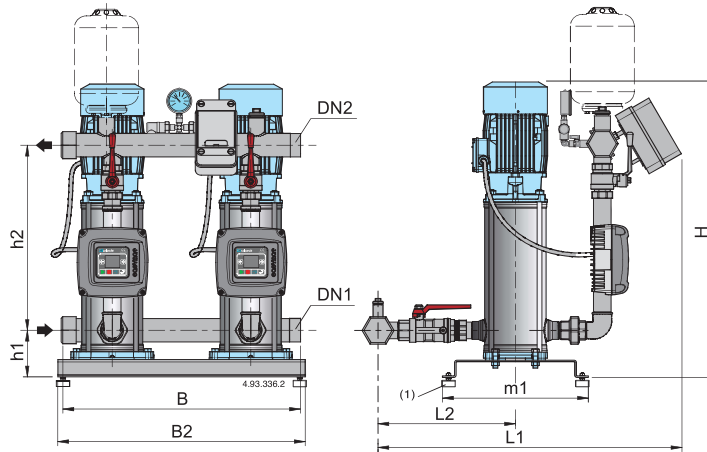
Characteristic and dimensions



Mains: 1~ 230V Motor: 3~ 230V	mains motor		Mains: 1~ 230V Motor: 1~ 230V	A	P2		Connection		mm								
	A	A			kW	HP	DN1	DN2	H	h1	h2	L1	L2	m1	B	B2	
BSM1V 1MXV-B 25-204-EMT	5,4	3,3	BSM1V 1MXV-BM 25-204-EMM	5,8	0,75	1	G 1	G 1	577	75	437	588	262	150	218	210	
BSM1V 1MXV-B 25-205-EMT	5,4	3,3	BSM1V 1MXV-BM 25-205-EMM	5,8	0,75	1											
BSM1V 1MXV-B 25-206/A-EMT	7,1	4,7	BSM1V 1MXV-BM 25-206-EMM	7,4	1,1	1,5											
BSM1V 1MXV-B 25-207/A-EMT	7,1	4,7	BSM1V 1MXV-BM 25-207-EMM	7,4	1,1	1,5											
BSM1V 1MXV-B 25-208/A-EMT	10,8	7,5			1,5	2											
BSM1V 1MXV-B 25-210/A-EMT	10,8	7,5			1,5	2											
BSM1V 1MXV-B 32-404/A-EMT	7,1	4,7	BSM1V 1MXV-BM 32-404-EMM	7,4	1,1	1,5	G 1 1/4	G 1 1/4	600	75	458	633	288	150	218	210	
BSM1V 1MXV-B 32-405/A-EMT	7,1	4,7	BSM1V 1MXV-BM 32-405-EMM	7,4	1,1	1,5											
BSM1V 1MXV-B 32-406/A-EMT	10,8	7,5			1,5	2											
BSM1V 1MXV-B 32-407/A-EMT	10,8	7,5			1,5	2											
BSM1V 1MXV-B 32-408/B-EMT	13,2	9,15			2,2	3											
BSM1V 1MXV-B 32-410/B-EMT	13,2	9,15			2,2	3											
BSM1V 1MXV-B 40-804/A-EMT	10,8	7,5			1,5	2	G 1 1/2	G 1 1/2	623	80	470	675	318	190	246	246	
BSM1V 1MXV-B 40-805/B-EMT	13,2	9,15			2,2	3											
BSM1V 1MXV-B 40-806/B-EMT	13,2	9,15			2,2	3											

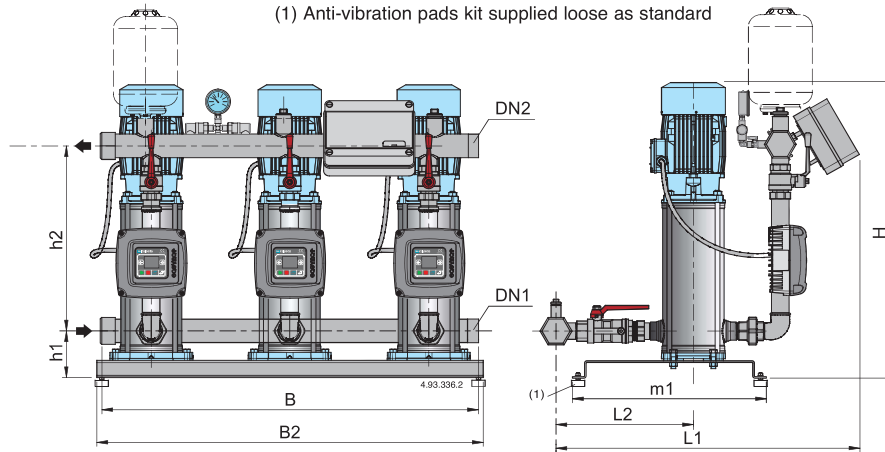
Dimensions not binding to be verified when ordering

Characteristic and dimensions



Mains: 1~ 230V Motor: 3~ 230V	mains A	motor A	P2		Connection		mm							
			kW	HP	DN1	DN2	H	h1	h2	L1	L2	m1	B	B2
BSM2V 2MXV-B 25-204-EMT	2 x 5,4	2 x 3,3	2 x 0,75	2 x 1	G 1 1/2	G 1 1/2	727	119	461	501	315	365	600	625
BSM2V 2MXV-B 25-205-EMT	2 x 5,4	2 x 3,3	2 x 0,75	2 x 1										
BSM2V 2MXV-B 25-206/A-EMT	2 x 7,1	2 x 4,7	2 x 1,1	2 x 1,5										
BSM2V 2MXV-B 25-207/A-EMT	2 x 7,1	2 x 4,7	2 x 1,1	2 x 1,5										
BSM2V 2MXV-B 25-208/A-EMT	2 x 10,8	2 x 7,5	2 x 1,5	2 x 2	G 2	G 2	743	119	477	544	340	365	600	625
BSM2V 2MXV-B 25-210/A-EMT	2 x 10,8	2 x 7,5	2 x 1,5	2 x 2										
BSM2V 2MXV-B 32-404/A-EMT	2 x 7,1	2 x 4,7	2 x 1,1	2 x 1,5										
BSM2V 2MXV-B 32-405/A-EMT	2 x 7,1	2 x 4,7	2 x 1,1	2 x 1,5										
BSM2V 2MXV-B 32-406/A-EMT	2 x 10,8	2 x 7,5	2 x 1,5	2 x 2	G 2 1/2	G 2 1/2	765	124	495	598	388	365	600	625
BSM2V 2MXV-B 32-407/A-EMT	2 x 10,8	2 x 7,5	2 x 1,5	2 x 2										
BSM2V 2MXV-B 32-408/B-EMT	2 x 13,2	2 x 9,15	2 x 2,2	2 x 3										
BSM2V 2MXV-B 32-410/B-EMT	2 x 13,2	2 x 9,15	2 x 2,2	2 x 3										
BSM2V 2MXV-B 40-804/A-EMT	2 x 10,8	2 x 7,5	2 x 1,5	2 x 2	G 2 1/2	G 2 1/2	765	124	495	598	388	365	600	625
BSM2V 2MXV-B 40-805/B-EMT	2 x 13,2	2 x 9,15	2 x 2,2	2 x 3										
BSM2V 2MXV-B 40-806/B-EMT	2 x 13,2	2 x 9,15	2 x 2,2	2 x 3										

(1) Anti-vibration pads kit supplied loose as standard



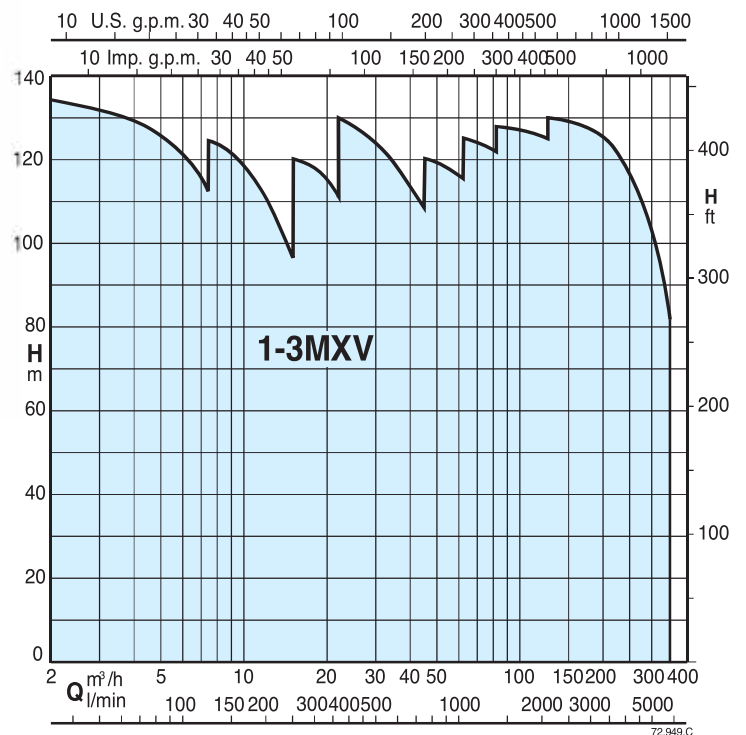
Mains: 1~ 230V Motor: 3~ 230V	mains A	motor A	P2		Connection		mm							
			kW	HP	DN1	DN2	H	h1	h2	L1	L2	m1	B	B2
BSM3V 3MXV-B 25-204-EMT	3 x 5,4	3 x 3,3	3 x 0,75	3 x 1	G 1 1/2	G 1 1/2	727	119	461	501	315	365	600	625
BSM3V 3MXV-B 25-205-EMT	3 x 5,4	3 x 3,3	3 x 0,75	3 x 1										
BSM3V 3MXV-B 25-206/A-EMT	3 x 7,1	3 x 4,7	3 x 1,1	3 x 1,5										
BSM3V 3MXV-B 25-207/A-EMT	3 x 7,1	3 x 4,7	3 x 1,1	3 x 1,5										
BSM3V 3MXV-B 25-208/A-EMT	3 x 10,8	3 x 7,5	3 x 1,5	3 x 2	G 2	G 2	743	119	477	544	340	365	600	625
BSM3V 3MXV-B 25-210/A-EMT	3 x 10,8	3 x 7,5	3 x 1,5	3 x 2										
BSM3V 3MXV-B 32-404/A-EMT	3 x 7,1	3 x 4,7	3 x 1,1	3 x 1,5										
BSM3V 3MXV-B 32-405/A-EMT	3 x 7,1	3 x 4,7	3 x 1,1	3 x 1,5										
BSM3V 3MXV-B 32-406/A-EMT	3 x 10,8	3 x 7,5	3 x 1,5	3 x 2	G 2 1/2	G 2 1/2	765	124	495	598	388	365	600	625
BSM3V 3MXV-B 32-407/A-EMT	3 x 10,8	3 x 7,5	3 x 1,5	3 x 2										
BSM3V 3MXV-B 32-408/B-EMT	3 x 13,2	3 x 9,15	3 x 2,2	3 x 3										
BSM3V 3MXV-B 32-410/B-EMT	3 x 13,2	3 x 9,15	3 x 2,2	3 x 3										
BSM3V 3MXV-B 40-804/A-EMT	3 x 10,8	3 x 7,5	3 x 1,5	3 x 2	G 2 1/2	G 2 1/2	765	124	495	598	388	365	600	625
BSM3V 3MXV-B 40-805/B-EMT	3 x 13,2	3 x 9,15	3 x 2,2	3 x 3										
BSM3V 3MXV-B 40-806/B-EMT	3 x 13,2	3 x 9,15	3 x 2,2	3 x 3										

Dimensions not binding to be verified when ordering

(1) Anti-vibration pads kit supplied loose as standard



Coverage chart



Operation

BS 1-6F Pressure boosting sets with 1 to 6 fixed speed pump. Sets with 4,5 and 6 pumps on request.
Depending on the reduction of the pressure in the system, the pressure switches determine the starting up of the pumps in sequence and the microprocessor alternates the starts.

BS2-3V Pressure boosting sets with 2 to 3 variable speed pumps (with I-MAT).
Depending on water consumption, one or more pumps are activated, all at variable speed, in order to guarantee the quantity of water required at the set pressure.

BS1V2-5F Pressure boosting sets with 1 variable speed pump (with frequency converter into the control panel) and from 1 to 5 fixed speed pumps. Sets with 4,5 and 6 pumps on request.
According to the water consumption, one or more pumps start, one at variable speed and the others at fixed speed, to grant the water quantity required at the set pressure.

BS1-6V Pressure boosting sets with 1 to 6 variable speed pumps (with frequency converter into the control panel). Sets with 4,5 and 6 pumps on request.
Depending on water consumption, one or more pumps are activated, all at variable speed, in order to guarantee the quantity of water required at the set pressure.

Construction

- Automatic pressure boosting plant consisting of 1 to 6 vertical multi-stage pumps complete with ball, non return valve on the suction side and ball valves on the delivery side.

Suction and delivery manifolds for boosting sets with 2,3 pumps:
- stainless steel AISI 304.
Connections are located on the delivery manifold for the installation of vessels G1 connection.

Electrical control boards:
- with microprocessor for fixed speed pump units. Motor starting is D.O.L. up to 5,5 kW and Y/Δ for power rating 7,5 up to 37 kW.
- with frequency converter for variable speed pump units.

The unit includes one pressure gauge and three adjustable differential pressure switches or pressure transducer.

Applications

To supply water in civil and industrial buildings.
As pressure boosting pump to increase water pressure when needed (follow local rules).

Motors

2-pole induction motors, 50 Hz, $n \approx 2900$ rpm, suitable for operation with frequency converter.
- Three-phase 230/400V $\pm 10\%$ up to 3 kW;
400/690V $\pm 10\%$ for 4 kW to 37 kW;
- Single-phase 230 V $\pm 10\%$, (on request).
Insulation class F.
Protection IP 55.
Constructed in accordance with: IEC 60034.
Other voltages and frequencies on request.

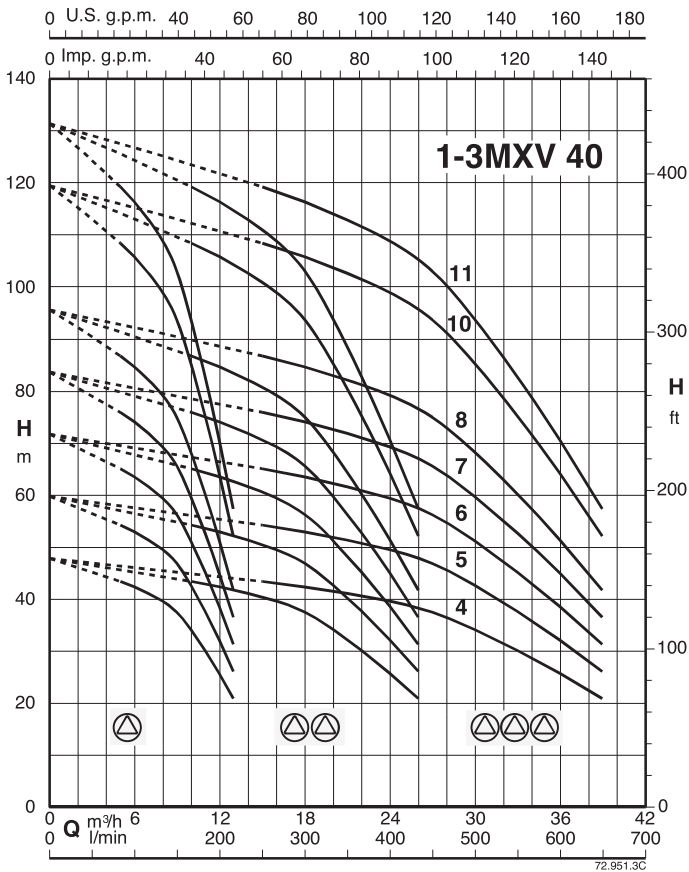
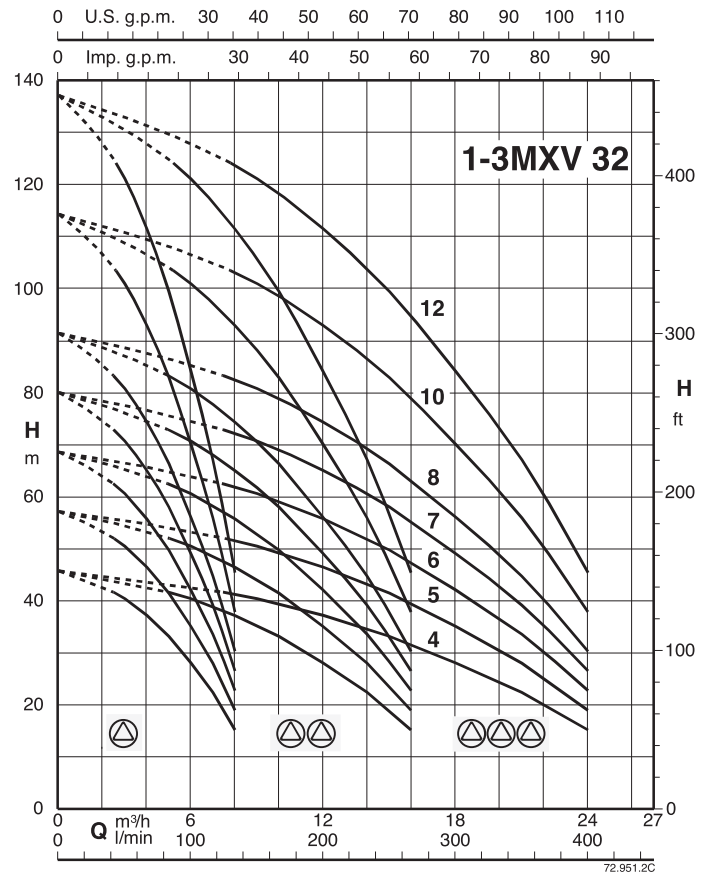
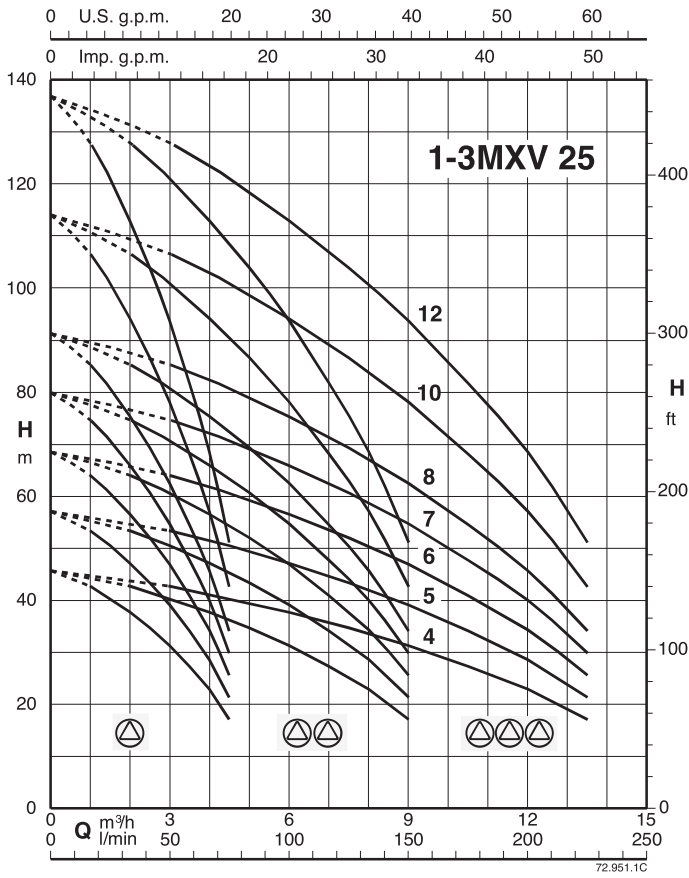
Vessels on request

When installing the unit, connect in the delivery section to a diaphragm or galvanised tank.
The recommended sized are shown in the following page.

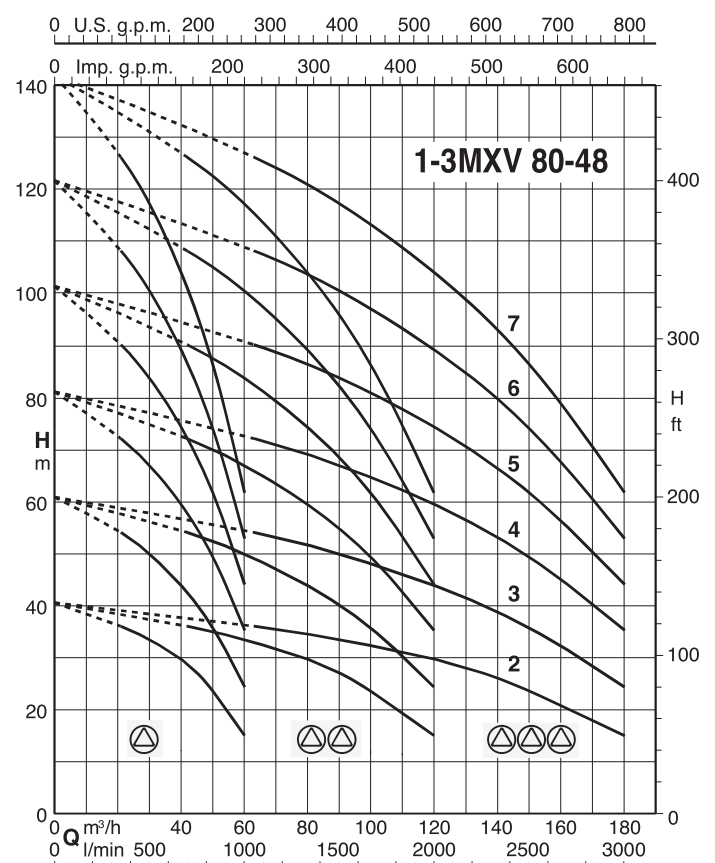
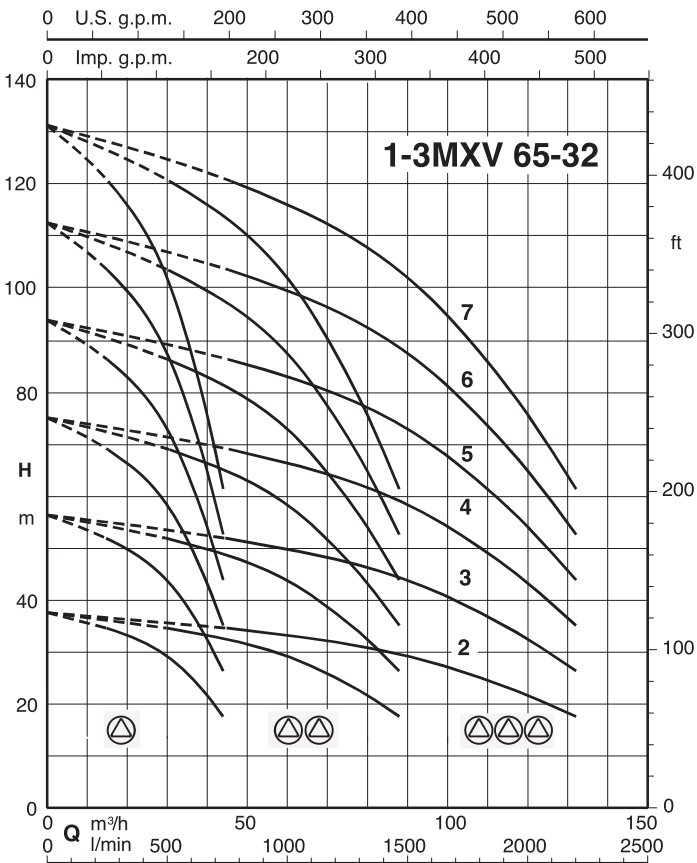
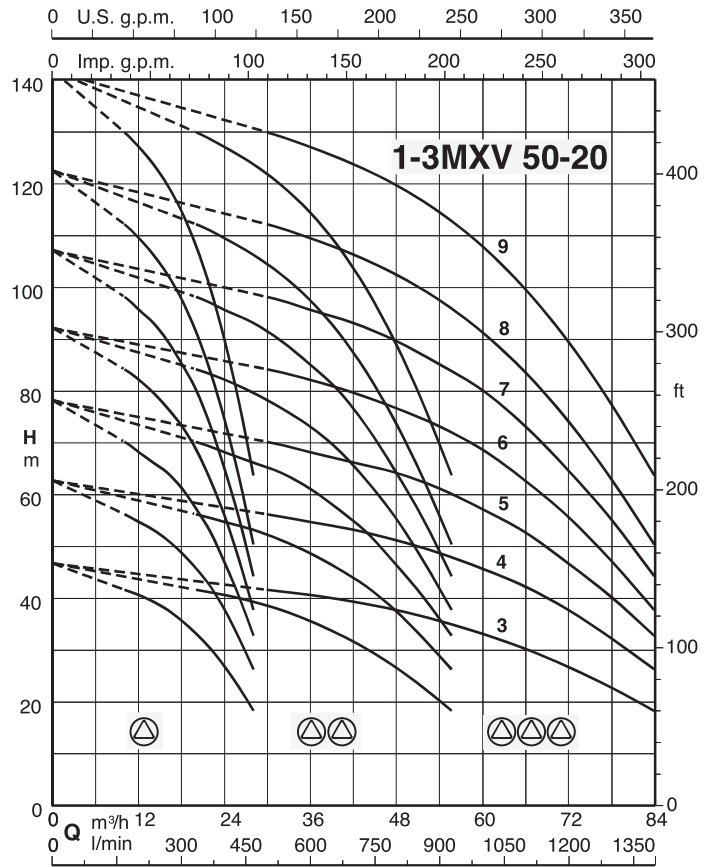
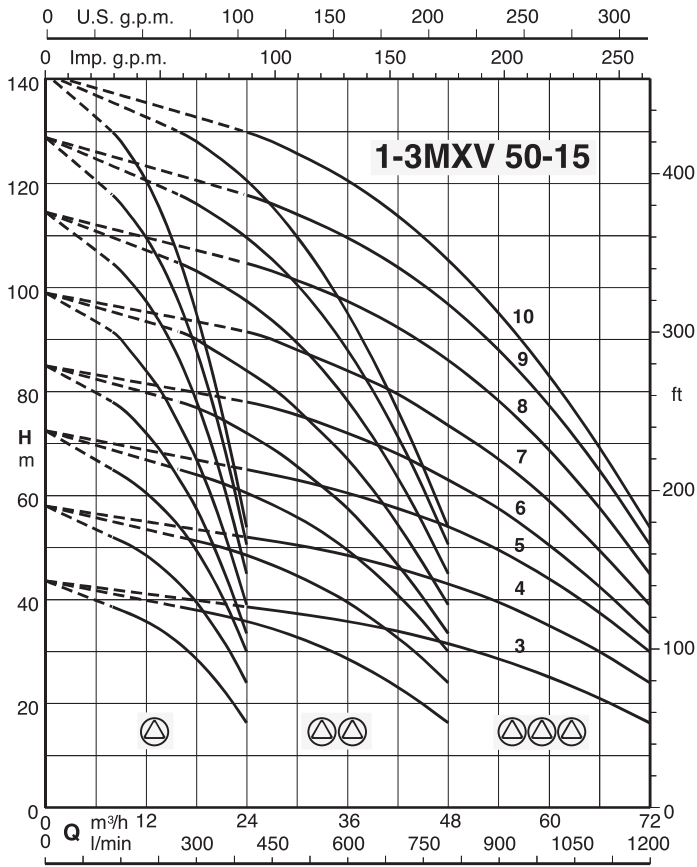
Special features on request

Pressure boosting sets with 4,5 and 6 pumps.

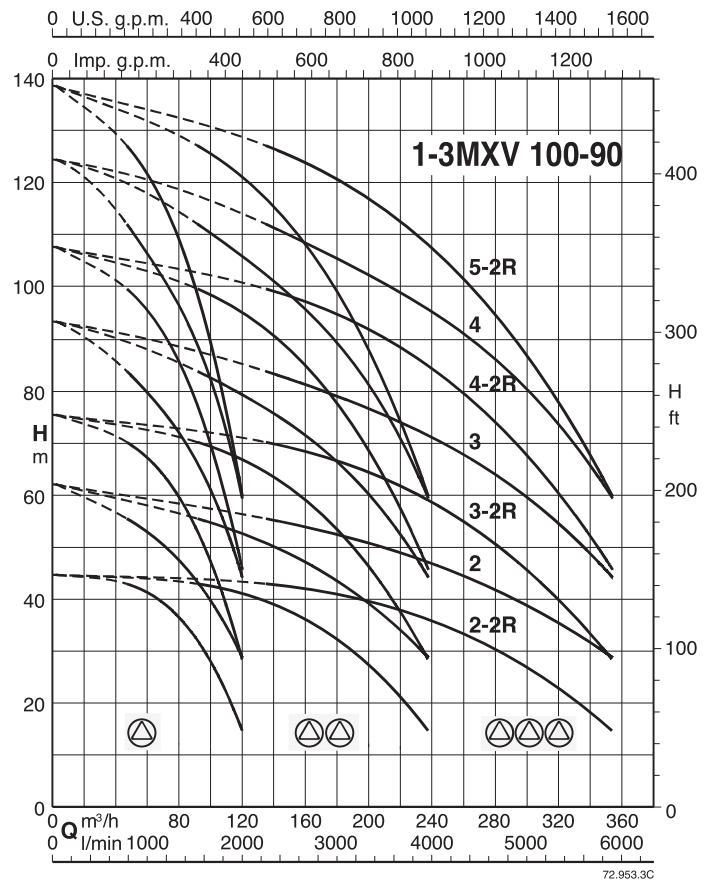
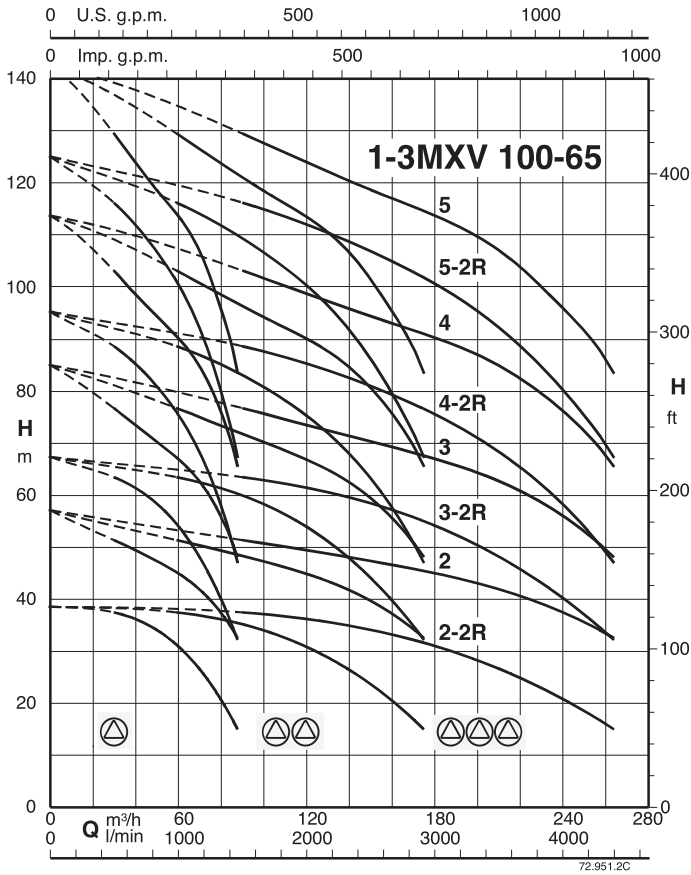
Coverage chart



Coverage chart



Coverage chart



Performance

BS1F

BSM1F

Mains: 400V 3~ Motor: 400V 3~	Mains: 230V 1~ Motor: 230V 1~	Motor		Pres. switch 1 bar		Maximum capacity *		Vessel Membrane litre	Vessel litre
		kW	HP	min	max	Q l/min	H m		
BS1F 1MXV 25-204/C	BSM1F 1MXV 25-204M/C	0,75	1	2,5	4	62	25	40	100
BS1F 1MXV 25-205/C	BSM1F 1MXV 25-205M/C	0,75	1	3,5	5	56	36	50	100
BS1F 1MXV 25-206/D	BSM1F 1MXV 25-206M/C	1,1	1,5	4	6	59	41	50	100
BS1F 1MXV 25-207/D	BSM1F 1MXV 25-207M/C	1,1	1,5	5	7	55	51	60	100
BS1F 1MXV 25-208/D	BSM1F 1MXV 25-208M/C	1,5	2	6	8	51	61	100	100
BS1F 1MXV 25-210/D		1,5	2	6,5	8,5	60	66	100	200
BS1F 1MXV 25-212/D		2,2	3	8	10	59	82	200	200
BS1F 1MXV 32-404/D	BSM1F 1MXV 32-404M/C	1,1	1,5	2,3	3,8	114	23	100	100
BS1F 1MXV 32-405/D	BSM1F 1MXV 32-405M/C	1,1	1,5	3,4	4,9	103	35	100	200
BS1F 1MXV 32-406/D	BSM1F 1MXV 32-406M/C	1,5	2	4	6	105	41	100	200
BS1F 1MXV 32-407/D	BSM1F 1MXV 32-407M/C	1,5	2	5	7	99	51	100	200
BS1F 1MXV 32-408/D		2,2	3	6	8	93	61	200	300
BS1F 1MXV 32-410/D		2,2	3	7	9	101	71	300	500
BS1F 1MXV 32-412/C		3	4	8,5	10,5	100	87	300	500
BS1F 1MXV 40-804/D	BSM1F 1MXV 40-804M/C	1,5	2	2,5	4	214	25	200	300
BS1F 1MXV 40-805/D		2,2	3	3,5	5	211	36	300	500
BS1F 1MXV 40-806/D		2,2	3	4	6	211	41	300	500
BS1F 1MXV 40-807/C		3	4	5	7	208	51	500	800
BS1F 1MXV 40-808/C		3	4	6	8	199	61	500	800
BS1F 1MXV 40-810/D		4	5,5	8	10	188	82	1000	1000
BS1F 1MXV 40-811/D		4	5,5	9	11	183	92	1000	1000
BS1F 1MXV 50-1503		2,2	3	2,7	3,5	319	28	500	1000
BS1F 1MXV 50-1504		3	4	3,2	4,7	364	33	500	1000
BS1F 1MXV 50-1505		4	5,5	4,3	5,9	352	43	500	1000
BS1F 1MXV 50-1506		5,5	7,5	5,3	7,1	326	54	500	1000
BS1F 1MXV 50-1507		5,5	7,5	6,4	8,3	315	65	750	1000
BS1F 1MXV 50-1508		7,5	10	7,5	9,6	319	76	750	1000
BS1F 1MXV 50-1509		7,5	10	9,3	10,8	280	94	1000	1500
BS1F 1MXV 50-1510		7,5	10	10,4	11,9	264	106	1000	1500
BS1F 1MXV 50-2003		3	4	3,0	3,8	371	30	750	1000
BS1F 1MXV 50-2004		4	5,5	3,5	5,1	427	36	750	1000
BS1F 1MXV 50-2005		5,5	7,5	4,7	6,4	414	47	750	1000
BS1F 1MXV 50-2006		7,5	10	5,8	7,7	403	59	750	1000
BS1F 1MXV 50-2007		7,5	10	6,9	8,9	396	70	1000	1500
BS1F 1MXV 50-2008		9,2	12,5	8,7	10,2	347	89	1000	2000
BS1F 1MXV 50-2009		9,2	12,5	10,4	11,9	348	106	1500	2000
BS1F 1MXV 65-3202/D		4	5,5	2	3	704	20	1000	2000
BS1F 1MXV 65-3203/C		5,5	7,5	3,3	4,8	670	34	1500	3000
BS1F 1MXV 65-3204/C		7,5	10	4,5	6,5	662	46	1500	3000
BS1F 1MXV 65-3205/D		11	15	6	8	627	61	2000	4000
BS1F 1MXV 65-3206/D		11	15	6,5	9,5	682	66	3000	4000
BS1F 1MXV 65-3207/D		15	20	7,5	10,5	683	76	4000	5000
BS1F 1MXV 80-4802/C		5,5	7,5	2	3,2	917	20	1500	3000
BS1F 1MXV 80-4803/C		7,5	10	3,5	5	840	36	2000	3000
BS1F 1MXV 80-4804/D		11	15	4,5	6,5	894	46	3000	4000
BS1F 1MXV 80-4805/D		15	20	6	8	848	61	4000	5000
BS1F 1MXV 80-4806/D		15	20	6,5	9,5	911	66	5000	-
BS1F 1MXV 80-4807/E		18,5	25	8	11	882	82	5000	-

* Maximum pumps flow at minimum setting pressure switch.

Performance

BS2F

BSM2F

Mains: 400V 3~ Motor: 400V 3~	Mains: 230V 1~ Motor: 230V 1~	Motor		Pres. switch 1 bar		Pres. switch 2 bar		Maximum capacity *		Vessel Membrane litre	Vessel litre
		kW	HP	min	max	min	max	Q l/min	H m		
BS2F 2MXV 25-204/C	BSM2F 2MXV 25-204M/C	0,75 x2	1 x2	2,5	4	2,2	3,7	135	22	40	100
BS2F 2MXV 25-205/C	BSM2F 2MXV 25-205M/C	0,75 x2	1 x2	3,5	5	3	4,5	128	31	50	100
BS2F 2MXV 25-206/D	BSM2F 2MXV 25-206M/C	1,1 x2	1,5 x2	4	6	3,5	5,5	130	36	50	100
BS2F 2MXV 25-207/D	BSM2F 2MXV 25-207M/C	1,1 x2	1,5 x2	5	7	4,5	6,5	122	46	60	100
BS2F 2MXV 25-208/D	BSM2F 2MXV 25-208M/C	1,5 x2	2 x2	6	8	5,5	7,5	113	56	100	100
BS2F 2MXV 25-210/D		1,5 x2	2 x2	6,5	8,5	6	8	128	61	100	200
BS2F 2MXV 25-212/D		2,2 x2	3 x2	8	10	7,5	9,5	125	76	200	200
BS2F 2MXV 32-404/D	BSM2F 2MXV 32-404M/C	1,1 x2	1,5 x2	2,3	3,8	1,8	3,3	253	18	100	100
BS2F 2MXV 32-405/D	BSM2F 2MXV 32-405M/C	1,1 x2	1,5 x2	3,4	4,9	3	4,5	226	31	100	200
BS2F 2MXV 32-406/D	BSM2F 2MXV 32-406M/C	1,5 x2	2 x2	4	6	3,5	5,5	232	36	100	200
BS2F 2MXV 32-407/D	BSM2F 2MXV 32-407M/C	1,5 x2	2 x2	5	7	4,5	6,5	218	46	100	200
BS2F 2MXV 32-408/D		2,2 x2	3 x2	6	8	5,5	7,5	205	56	200	300
BS2F 2MXV 32-410/D		2,2 x2	3 x2	7	9	6,5	8,5	216	66	300	500
BS2F 2MXV 32-412/C		3 x2	4 x2	8,5	10,5	8	10	213	82	300	500
BS2F 2MXV 40-804/D	BSM2F 2MXV 40-804M/C	1,5 x2	2 x2	2,5	4	2,2	3,7	435	22	200	300
BS2F 2MXV 40-805/D		2,2 x2	3 x2	3,5	5	3	4,5	438	31	300	500
BS2F 2MXV 40-806/D		2,2 x2	3 x2	4	6	3,5	5,5	435	36	300	500
BS2F 2MXV 40-807/C		3 x2	4 x2	5	7	4,5	6,5	434	46	500	800
BS2F 2MXV 40-808/C		3 x2	4 x2	6	8	5,5	7,5	418	56	500	800
BS2F 2MXV 40-810/D		4 x2	5,5 x2	8	10	7,5	9,5	399	76	1000	1000
BS2F 2MXV 40-811/D		4 x2	5,5 x2	9	11	8,5	10,5	390	87	1000	1000
BS2F 2MXV 50-1503		2,2 x2	3 x2	2,7	3,5	2,4	3,2	704	25	500	1000
BS2F 2MXV 50-1504		3 x2	4 x2	3,2	4,7	2,9	4,4	759	30	500	1000
BS2F 2MXV 50-1505		4 x2	5,5 x2	4,3	5,9	4,0	5,6	735	41	500	1000
BS2F 2MXV 50-1506		5,5 x2	7,5 x2	5,3	7,1	5,0	6,8	680	51	500	1000
BS2F 2MXV 50-1507		5,5 x2	7,5 x2	6,4	8,3	6,1	8,0	655	62	750	1000
BS2F 2MXV 50-1508		7,5 x2	10 x2	7,5	9,6	7,2	9,3	661	73	750	1000
BS2F 2MXV 50-1509		7,5 x2	10 x2	9,3	10,8	9,0	10,5	589	91	1000	1500
BS2F 2MXV 50-1510		7,5 x2	10 x2	10,4	11,9	10,1	11,6	555	103	1000	1500
BS2F 2MXV 50-2003		3 x2	4 x2	3,0	3,8	2,7	3,5	815	27	750	1000
BS2F 2MXV 50-2004		4 x2	5,5 x2	3,5	5,1	3,3	4,8	887	33	750	1000
BS2F 2MXV 50-2005		5,5 x2	7,5 x2	4,7	6,4	4,4	6,1	859	45	750	1000
BS2F 2MXV 50-2006		7,5 x2	10 x2	5,8	7,7	5,5	7,4	837	56	750	1000
BS2F 2MXV 50-2007		7,5 x2	10 x2	6,9	8,9	6,6	8,6	819	68	100	1500
BS2F 2MXV 50-2008		9,2 x2	12,5 x2	8,7	10,2	8,4	9,9	729	86	1000	2000
BS2F 2MXV 50-2009		9,2 x2	12,5 x2	10,4	11,9	10,1	11,6	729	103	1500	2000
BS2F 2MXV 65-3202/D		4 x2	5,5 x2	2	3	1,7	2,7	1464	17	1000	2000
BS2F 2MXV 65-3203/C		5,5 x2	7,5 x2	3,3	4,8	2,8	4,3	1439	29	1500	3000
BS2F 2MXV 65-3204/C		7,5 x2	10 x2	4,5	6,5	4	6	1411	41	1500	3000
BS2F 2MXV 65-3205/D		11 x2	15 x2	6	8	5,5	7,5	1344	56	2000	4000
BS2F 2MXV 65-3206/D		11 x2	15 x2	6,5	9,5	6	9	1417	61	3000	4000
BS2F 2MXV 65-3207/D		15 x2	20 x2	7,5	10,5	7	10	1411	71	4000	5000
BS2F 2MXV 80-4802/C		5,5 x2	7,5 x2	2	3,2	1,6	2,8	1979	16	1500	3000
BS2F 2MXV 80-4803/C		7,5 x2	10 x2	3,5	5	3	4,5	1852	31	2000	3000
BS2F 2MXV 80-4804/D		11 x2	15 x2	4,5	6,5	4	6	1905	41	3000	4000
BS2F 2MXV 80-4805/D		15 x2	20 x2	6	8	5,5	7,5	1809	56	4000	5000
BS2F 2MXV 80-4806/D		15 x2	20 x2	6,5	9,5	6	9	1901	61	5000	-
BS2F 2MXV 80-4807/E		18,5 x2	25 x2	8	11	7,5	10,5	1838	76	5000	-
BS2F 2MXV 100-6502-2R		7,5 x2	10 x2	2,2	2,8	1,9	2,5	2754	19	3000	-
BS2F 2MXV 100-6502		11 x2	15 x2	3,8	4,4	3,5	4,1	2783	36	-	-
BS2F 2MXV 100-6503-2R		15 x2	20 x2	4,3	4,9	4	4,6	3257	41	-	-
BS2F 2MXV 100-6503/A		18,5 x2	25 x2	5,8	6,7	5,3	6,2	2765	54	-	-
BS2F 2MXV 100-6504-2R/A		18,5 x2	25 x2	7,2	8,4	6,6	7,8	2343	67	-	-
BS2F 2MXV 100-6504		22 x2	30 x2	7,7	8,9	7,1	8,3	2786	72	-	-
BS2F 2MXV 100-6505-2R		30 x2	40 x2	8,3	9,8	7,5	9	2771	76	-	-
BS2F 2MXV 100-6505		30 x2	40 x2	9,8	11,3	9	10,5	2782	92	-	-
BS2F 2MXV 100-9002-2R		11 x2	15 x2	2,9	3,9	2,4	3,4	3677	24	-	-
BS2F 2MXV 100-9002		15 x2	20 x2	3,7	5,2	3	4,5	3862	31	-	-
BS2F 2MXV 100-9003-2R/A		18,5 x2	25 x2	4,6	6,1	4,1	5,6	3635	42	-	-
BS2F 2MXV 100-9003		22 x2	30 x2	6,2	7,7	5,4	6,9	3620	55	-	-
BS2F 2MXV 100-9004-2R		30 x2	40 x2	7,4	8,9	6,6	8,1	3474	67	-	-
BS2F 2MXV 100-9004		30 x2	40 x2	8,5	10	7,8	9,3	3441	80	-	-
BS2F 2MXV 100-9005-2R		37 x2	50 x2	9,5	11	8,8	10,3	3350	90	-	-

* Maximum pumps flow at minimum setting pressure of 2nd pressure switch.

Performance

BS3F

Mains: 400V 3~ Motor: 400V 3~	Motor		Pres. switch 1 bar		Pres. switch 2 bar		Pres. switch 3 bar		Maximum capacity *		Vessel Membrane litre	Vessel litre
	kW	HP	min	max	min	max	min	max	Q l/min	H m		
BS3F 3MXV 25-204/C	0,75 x3	1 x3	2,5	4	2,2	3,7	1,9	3,4	216	19	40	100
BS3F 3MXV 25-205/C	0,75 x3	1 x3	3,5	5	3	4,5	2,5	4	212	25	50	100
BS3F 3MXV 25-206/D	1,1 x3	1,5 x3	4	6	3,5	5,5	3	5	211	31	50	100
BS3F 3MXV 25-207/D	1,1 x3	1,5 x3	5	7	4,5	6,5	4	6	199	41	60	100
BS3F 3MXV 25-208/D	1,5 x3	2 x3	6	8	5,5	7,5	5	7	186	51	100	100
BS3F 3MXV 25-210/D	1,5 x3	2 x3	6,5	8,5	6	8	5,5	7,5	203	56	100	200
BS3F 3MXV 25-212/D	2,2 x3	3 x3	8	10	7,5	9,5	7	9	196	71	200	200
BS3F 3MXV 32-404/D	1,1 x3	1,5 x3	2,3	3,8	1,8	3,3	1,3	2,8	406	13	100	100
BS3F 3MXV 32-405/D	1,1 x3	1,5 x3	3,4	4,9	3	4,5	2,6	4,1	365	27	100	200
BS3F 3MXV 32-406/D	1,5 x3	2 x3	4	6	3,5	5,5	3	5	372	31	100	200
BS3F 3MXV 32-407/D	1,5 x3	2 x3	5	7	4,5	6,5	4	6	353	41	100	200
BS3F 3MXV 32-408/D	2,2 x3	3 x3	6	8	5,5	7,5	5	7	332	51	200	300
BS3F 3MXV 32-410/D	2,2 x3	3 x3	7	9	6,5	8,5	6	8	343	61	300	500
BS3F 3MXV 32-412/C	3 x3	4 x3	8,5	10,5	8	10	7,5	9,5	335	76	300	500
BS3F 3MXV 40-804/D	1,5 x3	2 x3	2,5	4	2,2	3,7	1,9	3,4	643	19	200	300
BS3F 3MXV 40-805/D	2,2 x3	3 x3	3,5	5	3	4,5	2,5	4	648	25	300	500
BS3F 3MXV 40-806/D	2,2 x3	3 x3	4	6	3,5	5,5	3	5	649	31	300	500
BS3F 3MXV 40-807/C	3 x3	4 x3	5	7	4,5	6,5	4	6	658	41	500	800
BS3F 3MXV 40-808/C	3 x3	4 x3	6	8	5,5	7,5	5	7	647	51	500	800
BS3F 3MXV 40-810/D	4 x3	5,5 x3	8	10	7,5	9,5	7	9	624	71	1000	1000
BS3F 3MXV 40-811/D	4 x3	5,5 x3	9	11	8,5	10,5	8	10	613	82	1000	1000
BS3F 3MXV 50-1503	2,2 x3	3 x3	2,7	3,5	2,4	3,2	2,1	2,9	1131	22	500	1000
BS3F 3MXV 50-1504	3 x3	4 x3	3,2	4,7	2,9	4,4	2,6	4,1	1178	27	500	1000
BS3F 3MXV 50-1505	4 x3	5,5 x3	4,3	5,9	4,0	5,6	3,7	5,3	1139	38	500	1000
BS3F 3MXV 50-1506	5,5 x3	7,5 x3	5,3	7,1	5,0	6,8	4,8	6,5	1059	49	500	1000
BS3F 3MXV 50-1507	5,5 x3	7,5 x3	6,4	8,3	6,1	8,0	5,8	7,7	1019	60	750	1000
BS3F 3MXV 50-1508	7,5 x3	10 x3	7,5	9,6	7,2	9,3	6,9	9,0	1024	71	750	1000
BS3F 3MXV 50-1509	7,5 x3	10 x3	9,3	10,8	9,0	10,5	8,7	10,2	926	88	1000	1500
BS3F 3MXV 50-1510	7,5 x3	10 x3	10,4	11,9	10,1	11,6	9,8	11,3	870	99	1000	1500
BS3F 3MXV 50-2003	3 x3	4 x3	3,0	3,8	2,7	3,5	2,4	3,2	1307	24	750	1000
BS3F 3MXV 50-2004	4 x3	5,5 x3	3,5	5,1	3,3	4,8	3,0	4,5	1367	31	750	1000
BS3F 3MXV 50-2005	5,5 x3	7,5 x3	4,7	6,4	4,4	6,1	4,1	5,8	1328	42	750	1000
BS3F 3MXV 50-2006	7,5 x3	10 x3	5,8	7,7	5,5	7,4	5,2	7,1	1294	53	750	1000
BS3F 3MXV 50-2007	7,5 x3	10 x3	6,9	8,9	6,6	8,6	6,4	8,3	1265	65	1000	1500
BS3F 3MXV 50-2008	9,2 x3	12,5 x3	8,7	10,2	8,4	9,9	8,1	9,6	1142	83	1000	2000
BS3F 3MXV 50-2009	9,2 x3	12,5 x3	10,4	11,9	10,1	11,6	9,8	11,3	1140	99	1500	2000
BS3F 3MXV 65-3202/D	4 x3	5,5 x3	2	3	1,7	2,7	1,4	2,4	2200	14	1000	2000
BS3F 3MXV 65-3203/C	5,5 x3	7,5 x3	3,3	4,8	2,8	4,3	2,3	3,8	2208	23	1500	3000
BS3F 3MXV 65-3204/C	7,5 x3	10 x3	4,5	6,5	4	6	3,5	5,5	2194	36	1500	3000
BS3F 3MXV 65-3205/D	11 x3	15 x3	6	8	5,5	7,5	5	7	2117	51	2000	4000
BS3F 3MXV 65-3206/D	11 x3	15 x3	6,5	9,5	6	9	5,5	8,5	2178	56	3000	4000
BS3F 3MXV 65-3207/D	15 x3	20 x3	7,5	10,5	7	10	6,5	9,5	2168	66	4000	5000
BS3F 3MXV 80-4802/C	5,5 x3	7,5 x3	2	3,2	1,6	2,8	1,2	2,4	3091	12	1500	3000
BS3F 3MXV 80-4803/C	7,5 x3	10 x3	3,5	5	3	4,5	2,5	4	2971	25	2000	3000
BS3F 3MXV 80-4804/D	11 x3	15 x3	4,5	6,5	4	6	3,5	5,5	2987	36	3000	4000
BS3F 3MXV 80-4805/D	15 x3	20 x3	6	8	5,5	7,5	5	7	2854	51	4000	5000
BS3F 3MXV 80-4806/D	15 x3	20 x3	6,5	9,5	6	9	5,5	8,5	2950	56	5000	-
BS3F 3MXV 80-4807/E	18,5 x3	25 x3	8	11	7,5	10,5	7	10	2855	71	5000	-
BS3F 3MXV 100-6502-2R	7,5 x3	10 x3	2,2	2,8	1,9	2,5	1,6	2,2	4312	19	-	-
BS3F 3MXV 100-6502	11 x3	15 x3	3,8	4,4	3,5	4,1	3,2	3,8	4334	36	-	-
BS3F 3MXV 100-6503-2R	15 x3	20 x3	4,3	4,9	4	4,6	3,7	4,3	4584	41	-	-
BS3F 3MXV 100-6503/A	18,5 x3	25 x3	5,8	6,7	5,3	6,2	4,9	5,8	4293	54	-	-
BS3F 3MXV 100-6504-2R/A	18,5 x3	25 x3	7,2	8,4	6,6	7,8	6	7,2	3881	67	-	-
BS3F 3MXV 100-6504	22 x3	30 x3	7,7	8,9	7,1	8,3	6,5	7,7	4319	72	-	-
BS3F 3MXV 100-6505-2R	30 x3	40 x3	8,3	9,8	7,5	9	6,8	8,3	4309	76	-	-
BS3F 3MXV 100-6505	30 x3	40 x3	9,8	11,3	9	10,5	8,3	9,8	4315	92	-	-
BS3F 3MXV 100-9002-2R	11 x3	15 x3	2,9	3,9	2,4	3,4	1,9	2,9	5831	24	-	-
BS3F 3MXV 100-9002	15 x3	20 x3	3,7	5,2	3	4,5	2,3	3,8	6046	31	-	-
BS3F 3MXV 100-9003-2R/A	18,5 x3	25 x3	4,6	6,1	4,1	5,6	3,4	4,9	5791	42	-	-
BS3F 3MXV 100-9003	22 x3	30 x3	6,2	7,7	5,4	6,9	4,7	6,2	5800	55	-	-
BS3F 3MXV 100-9004-2R	30 x3	40 x3	7,4	8,9	6,6	8,1	5,9	7,4	5571	67	-	-
BS3F 3MXV 100-9004	30 x3	40 x3	8,5	10	7,8	9,3	7,1	8,6	5542	80	-	-
BS3F 3MXV 100-9005-2R	37 x3	50 x3	9,5	11	8,8	10,3	8,1	9,6	5364	90	-	-

* Maximum pumps flow at minimum setting pressure of 3rd pressure switch.

Performance

BS..

PUMPS Nos						PUMP TYPE	P ₂ For each pump	
1	2	3	4	5	6		kW	HP
BS1V	BS2V BS1V1F BSM1V1F* BSM2V**	BS3V BS1V2F	BS4V BS1V3F	BS5V BS1V4F	BS6V BS1V5F		MXV 25-204/C	0,75
						MXV 25-205/C	0,75	1
						MXV 25-206/D	1,1	1,5
						MXV 25-207/D	1,1	1,5
						MXV 25-208/D	1,5	2
						MXV 25-210/D	1,5	2
						MXV 25-212/D	2,2	3
						MXV 32-404/D	1,1	1,5
						MXV 32-405/D	1,1	1,5
						MXV 32-406/D	1,5	2
						MXV 32-407/D	1,5	2
						MXV 32-408/D	2,2	3
						MXV 32-410/D	2,2	3
						MXV 32-412/C	3	4
						MXV 40-804/D	1,5	2
						MXV 40-805/D	2,2	3
						MXV 40-806/D	2,2	3
						MXV 40-807/C	3	4
						MXV 40-808/C	3	4
						MXV 40-810/D	4	5,5
						MXV 40-811/D	4	5,5
						MXV 50-1503	2,2	3
						MXV 50-1504	3	4
						MXV 50-1505	4	5,5
						MXV 50-1506	5,5	7,5
						MXV 50-1507	5,5	7,5
						MXV 50-1508	7,5	10
						MXV 50-1509	7,5	10
						MXV 50-1510	7,5	10
						MXV 50-2003	3	4
						MXV 50-2004	4	5,5
						MXV 50-2005	5,5	7,5
						MXV 50-2006	7,5	10
						MXV 50-2007	7,5	10
						MXV 50-2008	9,2	12,5
						MXV 50-2009	9,2	12,5
						MXV 65-3202/D	4	5,5
						MXV 65-3203/C	5,5	7,5
						MXV 65-3204/C	7,5	10
						MXV 65-3205/D	11	15
						MXV 65-3206/D	11	15
						MXV 65-3207/D	15	20
						MXV 80-4802/C	5,5	7,5
						MXV 80-4803/C	7,5	10
						MXV 80-4804/D	11	15
						MXV 80-4805/D	15	20
						MXV 80-4806/D	15	20
						MXV 80-4807/E	18,5	25
						MXV 100-6502-2R	7,5	10
						MXV 100-6502	11	15
						MXV 100-6503-2R	15	20
						MXV 100-6503/A	18,5	25
						MXV 100-6504-2R/A	18,5	25
						MXV 100-6504	22	30
						MXV 100-6505-2R	30	40
MXV 100-6505	30	40						
MXV 100-9002-2R	11	15						
MXV 100-9002	15	20						
MXV 100-9003-2R/A	18,5	25						
MXV 100-9003	22	30						
MXV 100-9004-2R	30	40						
MXV 100-9004	30	40						
MXV 100-9005-2R	37	50						

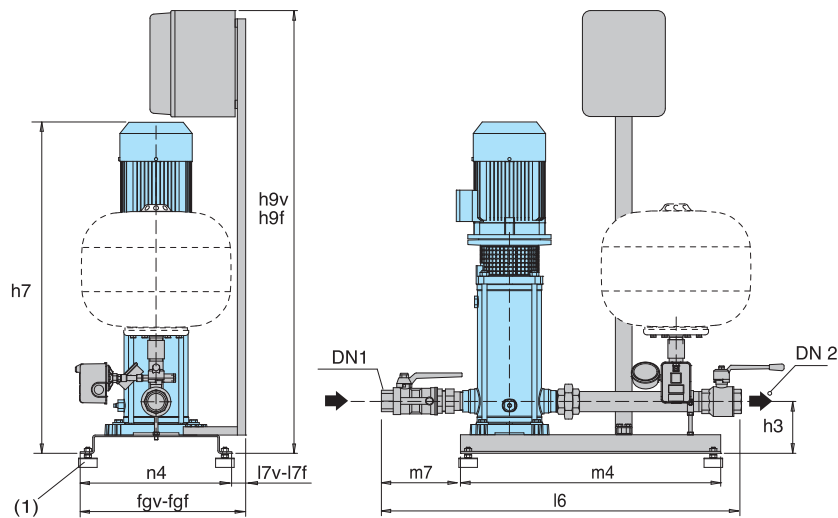
BS.. ..-ITT

PUMPS Nos		PUMP TYPE	P ₂ For each pump	
2	3		kW	HP
BS2V -ITT	BS3V -ITT		MXV 25-204/C-ITT	0,75
		MXV 25-205/C-ITT	0,75	1
		MXV 25-206/D-ITT	1,1	1,5
		MXV 25-207/D-ITT	1,1	1,5
		MXV 25-208/D-ITT	1,5	2
		MXV 25-210/D-ITT	1,5	2
		MXV 25-212/D-ITT	2,2	3
		MXV 32-404/D-ITT	1,1	1,5
		MXV 32-405/D-ITT	1,1	1,5
		MXV 32-406/D-ITT	1,5	2
		MXV 32-407/D-ITT	1,5	2
		MXV 32-408/D-ITT	2,2	3
		MXV 32-410/D-ITT	2,2	3
		MXV 32-412/C-ITT	3	4
		MXV 40-804/D-ITT	1,5	2
		MXV 40-805/D-ITT	2,2	3
		MXV 40-806/D-ITT	2,2	3
		MXV 40-807/C-ITT	3	4
		MXV 40-808/C-ITT	3	4
		MXV 40-810/D-ITT	4	5,5
		MXV 40-811/D-ITT	4	5,5
		MXV 50-1503-ITT	2,2	3
		MXV 50-1504-ITT	3	4
		MXV 50-1505-ITT	4	5,5
		MXV 50-1506-ITT	5,5	7,5
		MXV 50-1507-ITT	5,5	7,5
		MXV 50-1508-ITT	7,5	10
		MXV 50-1509-ITT	7,5	10
		MXV 50-1510-ITT	7,5	10
		MXV 50-2003-ITT	3	4
		MXV 50-2004-ITT	4	5,5
		MXV 50-2005-ITT	5,5	7,5
		MXV 50-2006-ITT	7,5	10
		MXV 50-2007-ITT	7,5	10
		MXV 50-2008-ITT	9,2	12,5
		MXV 50-2009-ITT	9,2	12,5
		MXV 65-3202/D-ITT	4	5,5
		MXV 65-3203/C-ITT	5,5	7,5
		MXV 65-3204/C-ITT	7,5	10
		MXV 65-3205/D-ITT	11	15
		MXV 65-3206/D-ITT	11	15
		MXV 65-3207/D-ITT	15	20
		MXV 80-4801/D-ITT	4	5,5
		MXV 80-4802/C-ITT	5,5	7,5
		MXV 80-4803/C-ITT	7,5	10
		MXV 80-4804/D-ITT	11	15
		MXV 80-4805/D-ITT	15	20
		MXV 80-4806/D-ITT	15	20
		MXV 80-4807/E-ITT	18,5	25
		MXV 100-6501-ITT	5,5	7,5
		MXV 100-6502-2R-ITT	7,5	10
		MXV 100-6502-ITT	11	15
		MXV 100-6503-2R-ITT	15	20
		MXV 100-6503/A-ITT	18,5	25
		MXV 100-6504-2R/A-ITT	18,5	25
MXV 100-6504-ITT	22	30		
MXV 100-9001-1R-ITT	5,5	7,5		
MXV 100-9001-ITT	7,5	10		
MXV 100-9002-2R-ITT	11	15		
MXV 100-9002-ITT	15	20		
MXV 100-9003-2R/A-ITT	18,5	25		
MXV 100-9003-ITT	22	30		

(*) SYSTEMS WITH:
1 variable speed pump three-phase motor
1 fixed speed pump single-phase motor
Power supply to control panel 230 V
single-phase

(**) Three-phase motor 230 V.
Power supply to control panel:
- 230 V three-phase
- 230 V single-phase
Frequency converter output is always
230 V three-phase.

Dimensions and weights



TYPE	TYPE	Connection		mm											
		DN 1	DN 2	h9f	h9v	h7	h3	m4	m7	l6	n4	fgf	fgv	l7f	l7v
BS1. 1MXV 25-204/C	BSM1. 1MXV 25-204M	G 1	G 1	1065	1345	671	120	625	140	*	365	*	410	*	45
BS1. 1MXV 25-205/C	BSM1. 1MXV 25-205M					695									
BS1. 1MXV 25-206/D	BSM1. 1MXV 25-206M					719									
BS1. 1MXV 25-207/D	BSM1. 1MXV 25-207M					743									
BS1. 1MXV 25-208/D	BSM1. 1MXV 25-208M					777									
BS1. 1MXV 25-210/D						825									
BS1. 1MXV 25-212/C						913									
BS1. 1MXV 32-404/D	BSM1. 1MXV 32-404M	G 1 1/4	G 1 1/4	1065	1345	671	120	625	175	*	365	*	410	*	45
BS1. 1MXV 32-405/D	BSM1. 1MXV 32-405M					695									
BS1. 1MXV 32-406/D	BSM1. 1MXV 32-406M					729									
BS1. 1MXV 32-407/C	BSM1. 1MXV 32-407M					753									
BS1. 1MXV 32-408/C						817									
BS1. 1MXV 32-410/D						865									
BS1. 1MXV 32-412/D		939													
BS1. 1MXV 40-804/D	BSM1. 1MXV 40-804M	G 1 1/2	G 1 1/2	1065	1345	710	125	625	213	*	365	*	410	*	45
BS1. 1MXV 40-805/D						780									
BS1. 1MXV 40-806/D						810									
BS1. 1MXV 40-807/D						866									
BS1. 1MXV 40-808/D						896									
BS1. 1MXV 40-810/D						956									
BS1. 1MXV 40-811/D		986													

Dimensions not binding to be verified when ordering

* Dimensions on request

(1) Anti-vibration pads kit supplied loose as standard

h9f-l7f= Fixed speed boosting sets
h9v-l7v= Variable speed boosting sets

Dimensions and weights

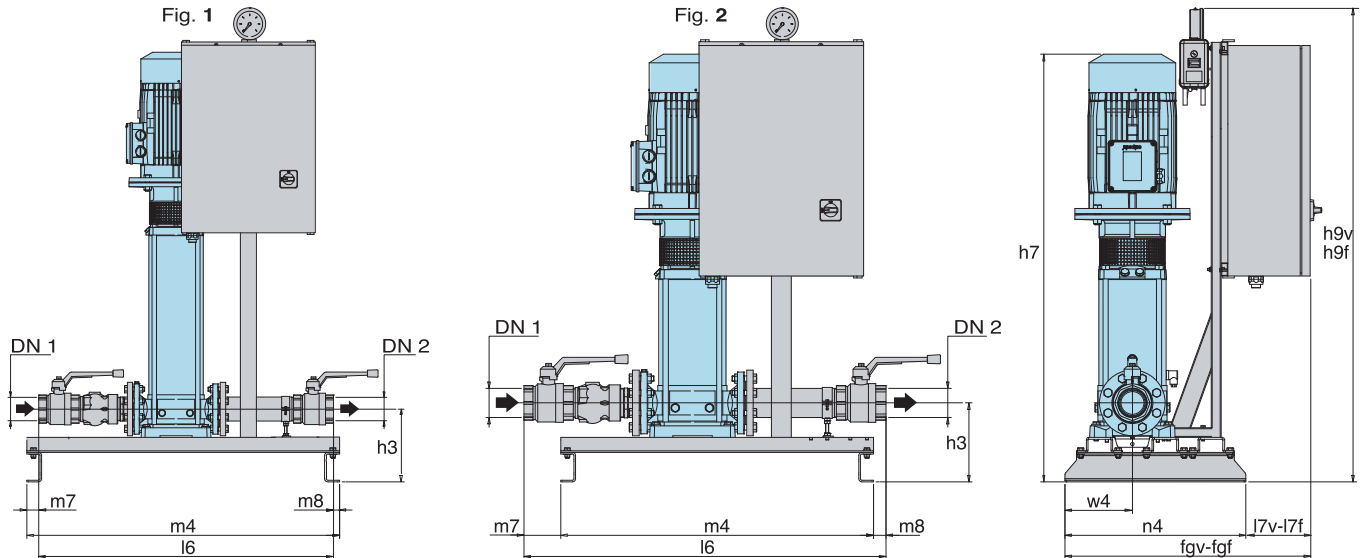


Fig.	TYPE	Connection		mm															
		DN 1	DN 2	h9v	h9f	h7	h3	m4	m7	m8	l6	n4	w4	fgv	fgf	l7v	l7f		
1	BS1. 1MXV 50-1503	G 2	G 2	1335	1155	916								681	550	131	0		
	BS1. 1MXV 50-1504			1335	1155	980									681	550	131	0	
	BS1. 1MXV 50-1505			1344	1155	1028										745	550	195	0
	BS1. 1MXV 50-1506			1344	1155	1167										745	550	195	0
	BS1. 1MXV 50-1507			1344	1155	1215	225	950	27	4	919	550	205			745	550	195	0
	BS1. 1MXV 50-1508			1344	1420	1263										745	695	195	145
	BS1. 1MXV 50-1509			1344	1420	1311										745	695	195	145
	BS1. 1MXV 50-1510			1344	1420	1359										745	695	195	145
1	BS1. 1MXV 50-2003	G 2	G 2	1335	1155	932								681	550	131	0		
	BS1. 1MXV 50-2004			1344	1155	967									745	550	195	0	
	BS1. 1MXV 50-2005			1344	1155	1119										745	550	195	0
	BS1. 1MXV 50-2006			1344	1420	1167	225	950	27	4	919	550	205			745	695	195	145
	BS1. 1MXV 50-2007			1344	1420	1215										745	695	195	145
	BS1. 1MXV 50-2008			1344	1420	1367										745	695	195	145
	BS1. 1MXV 50-2009			1344	1420	1415										745	695	195	145
	BS1. 1MXV 65-3202/D			1344	1155	853										745	550	195	0
BS1. 1MXV 65-3203/C	1344	1155	947										745	550	195	0			
2	BS1. 1MXV 65-3204/C	G 2 1/2	G 2 1/2	1344	1420	993	240	950	68	27	1042	550	205	745	695	195	145		
	BS1. 1MXV 65-3205/D			1344	1420	1189									745	695	195	145	
	BS1. 1MXV 65-3206/D			1344	1420	1235										745	695	195	145
	BS1. 1MXV 65-3207/D			1344	1420	1306										745	695	195	145
	BS1. 1MXV 80-4802/C			1344	1155	940										745	550	195	0
	BS1. 1MXV 80-4803/C			1344	1420	1001										745	695	195	145
2	BS1. 1MXV 80-4804/D	G 3	G 3	1344	1420	1212	240	950	112	38	1100	550	205	745	695	195	145		
	BS1. 1MXV 80-4805/D			1344	1420	1299										745	695	195	145
	BS1. 1MXV 80-4806/D			1344	1420	1360										745	695	195	145
	BS1. 1MXV 80-4807/E			1548	1420	1498										685	695	135	145

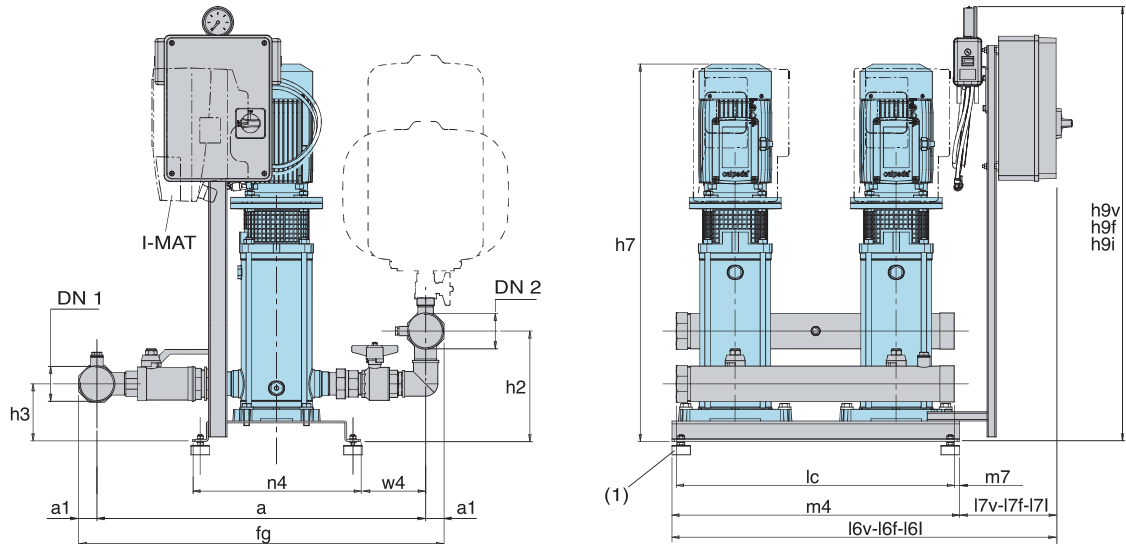
Dimensions not binding to be verified when ordering

* Dimensions on request

h9f-fgf-l7f= Fixed speed boosting sets

h9v-fgv-l7v= Variable speed boosting sets

Dimensions and weights

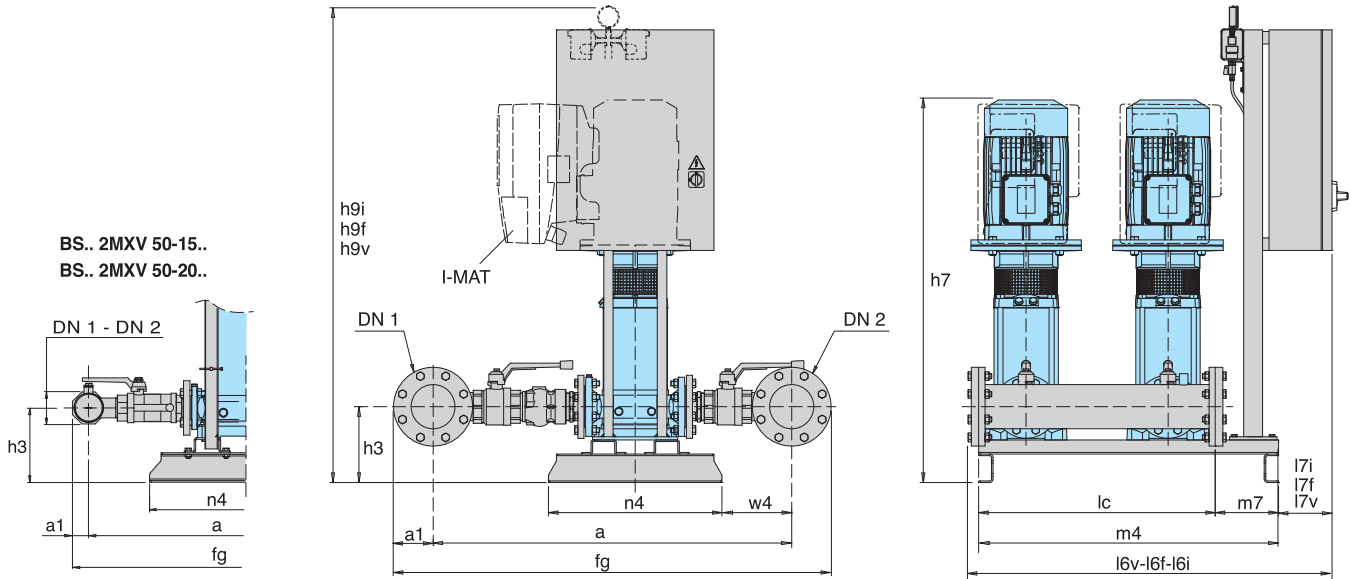


TYPE	TYPE	Connection		mm																			
		DN 1	DN 2	h9f	h9v	h9i	h7	h3	h2	fg	a	a1	n4	w4	lc	m4	m7	l6f	l6v	l6i	l7f	l7v	l7i
BS.. 2MXV 25-204/C (-ITT)	BS.. 2MXV 25-204M						671																
BS.. 2MXV 25-205/C (-ITT)	BS.. 2MXV 25-205M						695																
BS.. 2MXV 25-206/D (-ITT)	BS.. 2MXV 25-206M						719																
BS.. 2MXV 25-207/D (-ITT)	BS.. 2MXV 25-207M	G 1 1/2	G 1 1/2	965	1145	853	743	119	195	663	610	26,5	365	123	600	625	12,5	840	*	*	215	*	*
BS.. 2MXV 25-208/D (-ITT)	BS.. 2MXV 25-208M						777																
BS.. 2MXV 25-210/D (-ITT)	BS.. 2MXV 25-210M						825																
BS.. 2MXV 25-212/C (-ITT)	BS.. 2MXV 25-212M						913																
BS.. 2MXV 32-404/D (-ITT)	BS.. 2MXV 32-404M						671																
BS.. 2MXV 32-405/D (-ITT)	BS.. 2MXV 32-405M						695																
BS.. 2MXV 32-406/D (-ITT)	BS.. 2MXV 32-406M						729																
BS.. 2MXV 32-407/C (-ITT)	BS.. 2MXV 32-407M	G 2	G 2	965	1145	853	753	119	212	687	623	32	365	105	600	625	12,5	840	*	*	215	*	*
BS.. 2MXV 32-408/C (-ITT)							817																
BS.. 2MXV 32-410/D (-ITT)							865																
BS.. 2MXV 32-412/D (-ITT)							939																
BS.. 2MXV 40-804/D (-ITT)	BS.. 2MXV 40-804M						710																
BS.. 2MXV 40-805/D (-ITT)							780																
BS.. 2MXV 40-806/D (-ITT)							810																
BS.. 2MXV 40-807/E (-ITT)		G 2 1/2	G 2 1/2	965	1145	853	866	124	238	795	715	40	365	143	600	625	12,5	840	*	*	215	*	*
BS.. 2MXV 40-808/D (-ITT)							896																
BS.. 2MXV 40-810/D (-ITT)							956																
BS.. 2MXV 40-811/D (-ITT)							986																

Dimensions not binding to be verified when ordering * Dimensions on request (1) Anti-vibration pads kit supplied loose as standard

h9f-l6f-l7f= Fixed speed boosting sets
h9v-l6v-l7v= Variable speed boosting sets
h9i-l6i-l7i= I-MAT boosting sets

Dimensions and weights

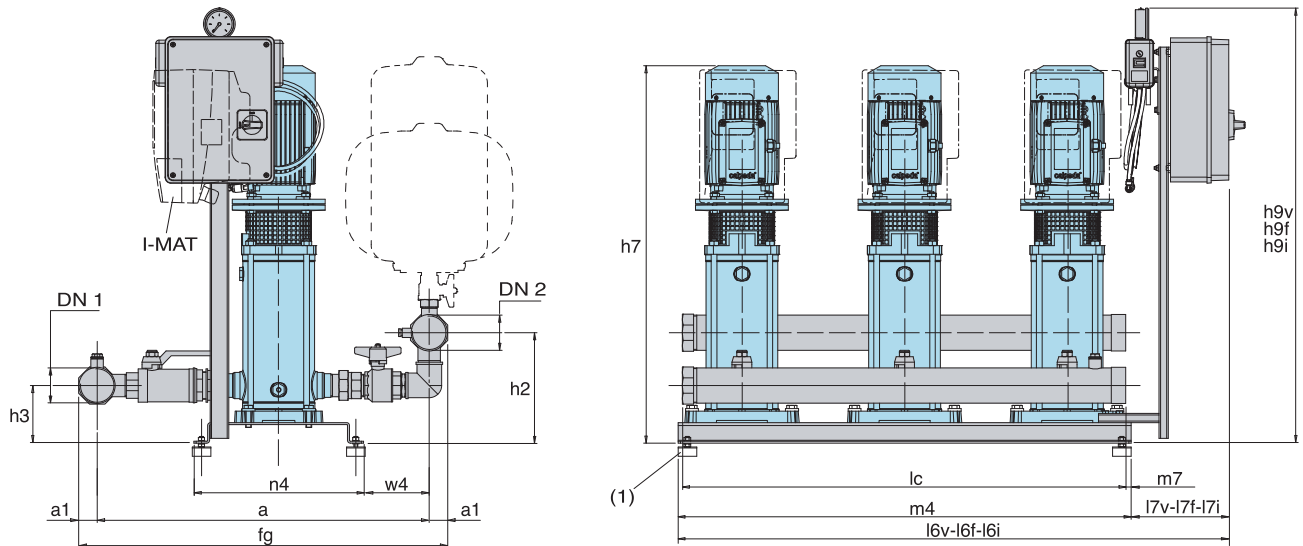


TYPE	Connection		mm																				
	DN1	DN2	h9f	h9v	h9i	h7	h3	fg	a	a1	n4	w4	lc	m4	m7	l6f	l6v	l6i	l7f	l7v	l7i		
BS.. 2MXV 50-1503 (ITT)	G 3	G 3	1015	1344	975	916										1080	1220	1110	130	270	160		
BS.. 2MXV 50-1504 (ITT)			1015	1344	975	980											1080	1220	1110	130	270	160	
BS.. 2MXV 50-1505 (ITT)			1015	1344	975	1028											1080	1220	1110	130	270	160	
BS.. 2MXV 50-1506 (ITT)			1015	1344	975	1167	225	913	816	48	550	82	700	950	225	1080	1220	1110	130	270	160		
BS.. 2MXV 50-1507 (ITT)			1015	1344	1175	1215											1080	1220	1110	130	270	160	
BS.. 2MXV 50-1508 (ITT)			1420	1344	1175	1263											1170	1220	1110	220	270	160	
BS.. 2MXV 50-1509 (ITT)			1420	1344	1175	1311											1170	1220	1110	220	270	160	
BS.. 2MXV 50-1510 (ITT)			1420	1344	1175	1359											1170	1220	1110	220	270	160	
BS.. 2MXV 50-2003 (ITT)	G 3	G 3	1015	1344	975	932										1080	1220	1110	130	270	160		
BS.. 2MXV 50-2004 (ITT)			1015	1344	975	967											1080	1220	1110	130	270	160	
BS.. 2MXV 50-2005 (ITT)			1015	1344	975	1119	225	913	816	48	550	82	700	950	225	1080	1220	1110	130	270	160		
BS.. 2MXV 50-2006 (ITT)			1420	1344	975	1167											1170	1220	1110	220	270	160	
BS.. 2MXV 50-2007 (ITT)			1420	1344	1175	1215											1170	1220	1110	220	270	160	
BS.. 2MXV 50-2008 (ITT)			1420	1648	1175	1367											1170	1170	1110	220	220	160	
BS.. 2MXV 50-2009 (ITT)			1420	1648	1175	1415											1170	1170	1110	220	220	160	
BS.. 2MXV 65-3202/D (ITT)			100	100	1015	1344	975	853									1080	1220	1110	130	270	160	
BS.. 2MXV 65-3203/C (ITT)	1015	1344			975	947										1080	1220	1110	130	270	160		
BS.. 2MXV 65-3204/C (ITT)	1420	1344			975	993	240	1310	985	110	550	231	750	950	200	1170	1220	1120	220	270	170		
BS.. 2MXV 65-3205/D (ITT)	1420	1648			1175	1189											1170	1170	1120	220	220	170	
BS.. 2MXV 65-3206/D (ITT)	1420	1648			1175	1235											1170	1170	1120	220	220	170	
BS.. 2MXV 65-3207/D (ITT)	1420	1648			1175	1306											1170	1170	1120	220	220	170	
BS.. 2MXV 80-4802/C (ITT)	125	125	1015	1344	975	940									1080	1220	1110	130	270	160			
BS.. 2MXV 80-4803/C (ITT)			1420	1344	975	1001										1170	1220	1110	220	270	160		
BS.. 2MXV 80-4804/D (ITT)			1420	1648	1175	1212	240	1441	1140	125	550	279	750	950	200	1170	1170	1120	220	220	170		
BS.. 2MXV 80-4805/D (ITT)			1420	1648	1175	1299											1170	1170	1120	220	220	170	
BS.. 2MXV 80-4806/D (ITT)			1420	1648	1175	1360											1170	1170	1120	220	220	170	
BS.. 2MXV 80-4807/E (ITT)			1420	*	1175	1498											1170	*	1120	220	*	170	
BS.. 2MXV 100-6501-ITT	150	150																					
BS.. 2MXV 100-6502-2R (ITT)																							
BS.. 2MXV 100-6502 (ITT)																							
BS.. 2MXV 100-6503-2R (ITT)																							
BS.. 2MXV 100-6503/A (ITT)			*	*	*	*	*	*	*	142,5	*	*	950	*	*	*	*	*	*	*	*	*	*
BS.. 2MXV 100-6504-2R/A (ITT)																							
BS.. 2MXV 100-6504 (ITT)																							
BS.. 2MXV 100-6505-2R																							
BS.. 2MXV 100-6505																							
BS.. 2MXV 100-9001-1R-ITT	200	200				1306																	
BS.. 2MXV 100-9001-ITT					1306																		
BS.. 2MXV 100-9002-2R (ITT)					1538																		
BS.. 2MXV 100-9002 (ITT)					1563																		
BS.. 2MXV 100-9003-2R/A (ITT)			*	*	*	1709	370	1883	1543	170	1050	260	950	1300	360	*	*	*	*	*	*	*	
BS.. 2MXV 100-9003 (ITT)					1709																		
BS.. 2MXV 100-9004-2R					1879																		
BS.. 2MXV 100-9004					1879																		
BS.. 2MXV 100-9005-2R			1972																				

Dimensions not binding to be verified when ordering * Dimensions on request

h9f-l6f-l7f= Fixed speed boosting sets
h9v-l6v-l7v= Variable speed boosting sets
h9i-l6i-l7i= I-MAT boosting sets

Dimensions and weights

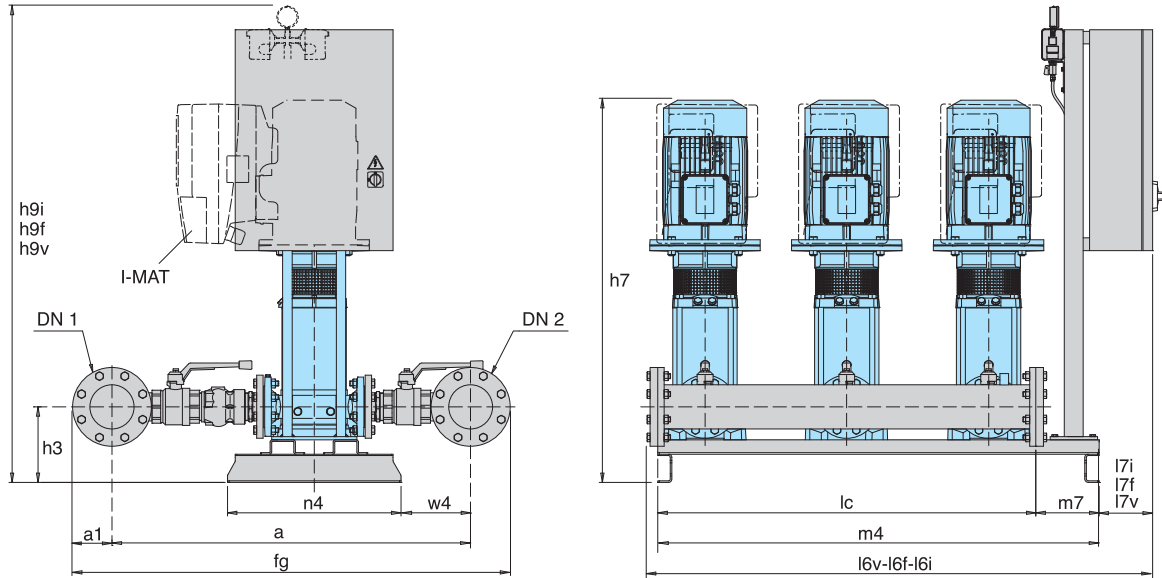


TYPE	Connection		mm																				
	DN 1	DN 2	h9f	h9v	h9i	h7	h3	h2	fg	a	a1	n4	w4	lc	m4	m7	l6f	l6v	l6i	l7f	l7v	l7i	
BS.. 3MXV 25-204/C (-ITT)						686																	
BS.. 3MXV 25-205/C (-ITT)						710																	
BS.. 3MXV 25-206/D (-ITT)						734																	
BS.. 3MXV 25-207/D (-ITT)	G 2	G 2	965	1145	853	758	134	216	681	617	32	406	102	950	1000	25	840	*	*	215	*	*	
BS.. 3MXV 25-208/D (-ITT)						792																	
BS.. 3MXV 25-210/D (-ITT)						840																	
BS.. 3MXV 25-212/C (-ITT)						928																	
BS.. 3MXV 32-404/D (-ITT)						686																	
BS.. 3MXV 32-405/D (-ITT)						710																	
BS.. 3MXV 32-406/D (-ITT)						744																	
BS.. 3MXV 32-407/C (-ITT)	G 2 1/2	G 2 1/2	965	1145	853	768	134	234	711	631	40	406	84	950	1000	25	840	*	*	215	*	*	
BS.. 3MXV 32-408/C (-ITT)						832																	
BS.. 3MXV 32-410/D (-ITT)						880																	
BS.. 3MXV 32-412/D (-ITT)						954																	
BS.. 3MXV 40-804/D (-ITT)						725																	
BS.. 3MXV 40-805/D (-ITT)						795																	
BS.. 3MXV 40-806/D (-ITT)						825																	
BS.. 3MXV 40-807/E (-ITT)	G 3	G 3	965	1145	853	881	139	259	817	720	48,5	406	121	950	1000	25	840	*	*	215	*	*	
BS.. 3MXV 40-808/D (-ITT)						911																	
BS.. 3MXV 40-810/D (-ITT)						971																	
BS.. 3MXV 40-811/D (-ITT)						1001																	

Dimensions not binding to be verified when ordering * Dimensions on request (1) Anti-vibration pads kit supplied loose as standard

h9f-l6f-l7f= Fixed speed boosting sets
h9v-l6v-l7v= Variable speed boosting sets
h9i-l6i-l7i= I-MAT boosting sets

Dimensions and weights



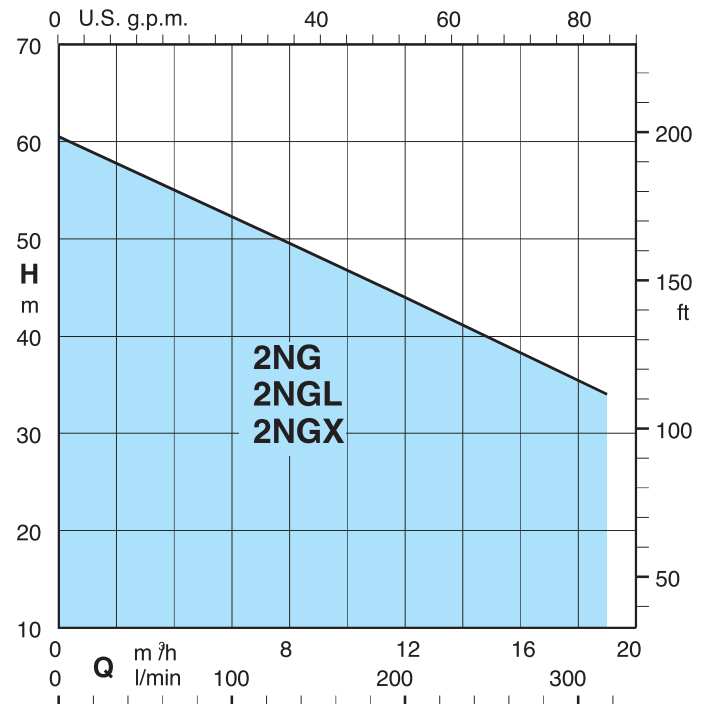
TYPE	Connection		mm																				
	DN1	DN2	h9f	h9v	h9i	h7	h3	fg	a	a1	n4	w4	lc	m4	m7	l6f	l6v	l6i	l7f	l7v	l7i		
BS.. 3MXV 50-1503 (ITT)	100	100														1572	1652	1577	140	220	145		
BS.. 3MXV 50-1504 (ITT)																	1572	1652	1577	140	220	145	
BS.. 3MXV 50-1505 (ITT)																	1572	1652	1577	140	220	145	
BS.. 3MXV 50-1506 (ITT)					*	*	*	*	*	1100	880	110	*	*	1200	1400	200	1572	1652	1577	140	220	145
BS.. 3MXV 50-1507 (ITT)																	1572	1652	1577	140	220	145	
BS.. 3MXV 50-1508 (ITT)																	1652	1652	1577	220	220	145	
BS.. 3MXV 50-1509 (ITT)																	1652	1652	1577	220	220	145	
BS.. 3MXV 50-1510 (ITT)																	1652	1652	1577	220	220	145	
BS.. 3MXV 50-2003 (ITT)	100	100														1572	1652	1577	140	220	145		
BS.. 3MXV 50-2004 (ITT)																	1572	1652	1577	140	220	145	
BS.. 3MXV 50-2005 (ITT)					*	*	*	*	*	1100	880	110	*	*	1200	1400	200	1572	1652	1577	140	220	145
BS.. 3MXV 50-2006 (ITT)																	1572	1652	1577	140	220	145	
BS.. 3MXV 50-2007 (ITT)																	1572	1652	1577	140	220	145	
BS.. 3MXV 50-2008 (ITT)																	1652	QA	1577	220	QA	145	
BS.. 3MXV 50-2009 (ITT)																	1652	QA	1577	220	QA	145	
BS.. 3MXV 65-3202/D (ITT)			125	125	1500	1593	1020	903										1574	1654	1579	140	220	145
BS.. 3MXV 65-3203/C (ITT)	1500	1593			1020	997											1574	1654	1579	140	220	145	
BS.. 3MXV 65-3204/C (ITT)	1500	1593			1020	1043											1574	1654	1579	140	220	145	
BS.. 3MXV 65-3205/D (ITT)	1713	QA			1220	1239	291	1406	1156	125	550	284	1200	1400	200	1654	QA	1579	220	QA	145		
BS.. 3MXV 65-3206/D (ITT)	1713	QA			1220	1285										1654	QA	1579	220	QA	145		
BS.. 3MXV 65-3207/D (ITT)	1713	QA			1388	1356										1654	QA	1704	220	QA	270		
BS.. 3MXV 80-4802/C (ITT)	150	150			1500	1593	1020	990										1577	1657	1582	140	220	145
BS.. 3MXV 80-4803/C (ITT)					1500	1593	1020	1051											1577	1657	1582	140	220
BS.. 3MXV 80-4804/D (ITT)			1713	QA	1220	1262	291	1525	1240	142,5	550	313	1200	1400	200	1657	QA	1582	220	QA	145		
BS.. 3MXV 80-4805/D (ITT)			1713	QA	1388	1349										1657	QA	1707	220	QA	270		
BS.. 3MXV 80-4806/D (ITT)			1713	QA	1388	1410										1657	QA	1707	220	QA	270		
BS.. 3MXV 80-4807/E (ITT)			1713	QA	1388	1548										*	QA	1707	*	QA	270		
BS.. 3MXV 100-6501-ITT			200	200																			
BS.. 3MXV 100-6502-2R (ITT)								1414															
BS.. 3MXV 100-6502 (ITT)						1554																	
BS.. 3MXV 100-6503-2R (ITT)						1671																	
BS.. 3MXV 100-6503/A (ITT)	*	*			*	1725	386	1658	1318	170	900	65	1500	1650	175	*	*	*	*	*	*	*	
BS.. 3MXV 100-6504-2R/A (ITT)						1817																	
BS.. 3MXV 100-6504 (ITT)						1817																	
BS.. 3MXV 100-6505-2R						1988																	
BS.. 3MXV 100-6505						1988																	
BS.. 3MXV 100-9001-1R-ITT	200	200																					
BS.. 2MXV 100-9001-ITT																							
BS.. 3MXV 100-9002-2R (ITT)																							
BS.. 3MXV 100-9002 (ITT)																							
BS.. 3MXV 100-9003-2R/A (ITT)			*	*	*	*	*	*	*	*	170	*	*	1500	*	*	*	*	*	*	*	*	*
BS.. 3MXV 100-9003 (ITT)																							
BS.. 3MXV 100-9004-2R																							
BS.. 3MXV 100-9004																							
BS.. 3MXV 100-9005-2R																							

Dimensions not binding to be verified when ordering * Dimensions on request
QA Cabinet version

h9f-l6f-l7f= Fixed speed boosting sets
h9v-l6v-l7v= Variable speed boosting sets
h9i-l6i-l7i= I-MAT boosting sets



Coverage chart



Construction

Automatic pressure boosting plant consisting of two pumps complete with ball, non return valve on the suction side and ball valves on the discharge side.

Suction and delivery manifolds are in AISI 304 stainless steel.

Connections are located on the delivery manifold for the installation of two 20/24 litres vessels.

Electrical control boards:

- with microprocessor for fixed speed pump units.

The unit includes one pressure gauge and two adjustable differential pressure switches.

Operation

BS 2F Fixed speed pump

Depending on the reduction of the pressure in the system, the pressure switches determine the starting up of the pumps in sequence and the microprocessor alternates the starts.

Applications

For drawing water out a well.

As pressure boosting pump to increase water pressure when needed (follow local rules).

Motors

2-pole induction motors, 50 Hz, $n \approx 2900$ rpm.

- Three-phase 230/400V $\pm 10\%$, suitable for operation with frequency converter;

- Single-phase 230 V $\pm 10\%$, with thermal protector.

Insulation class F.

Protection IP 54.

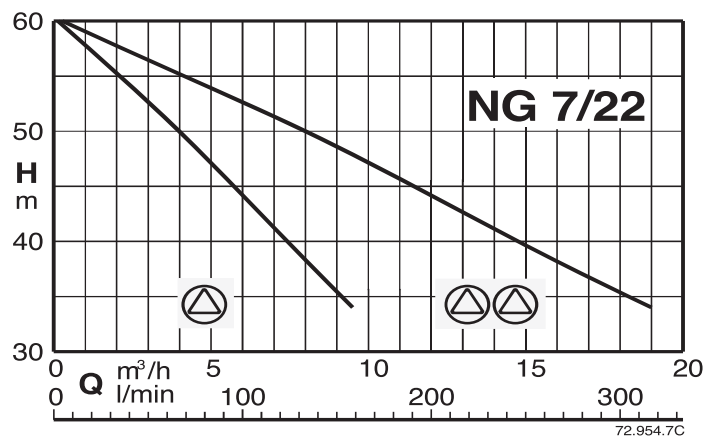
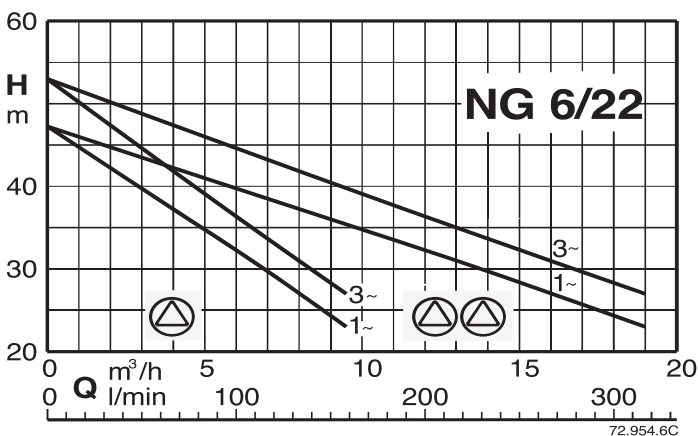
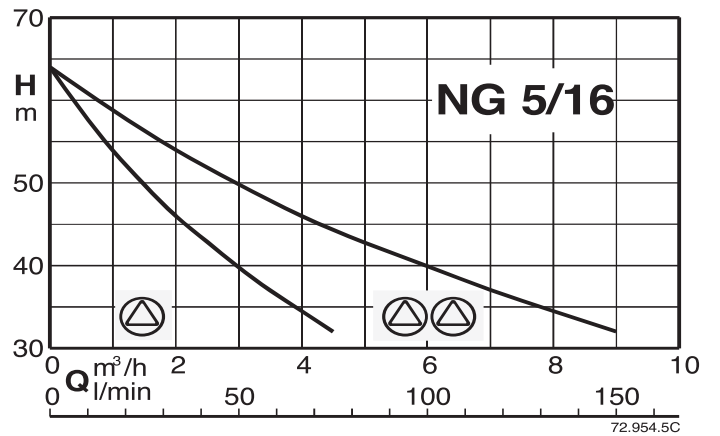
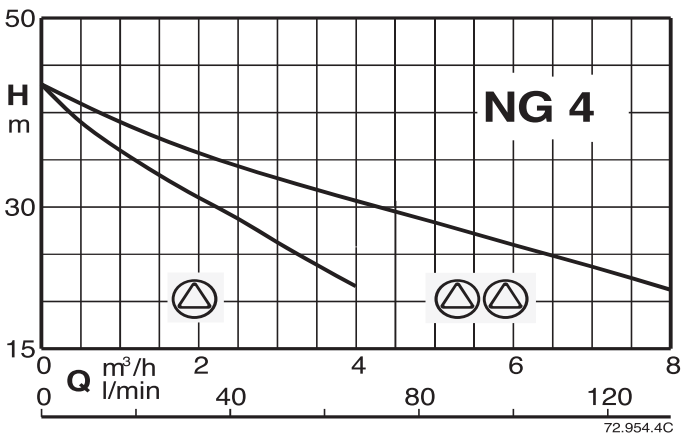
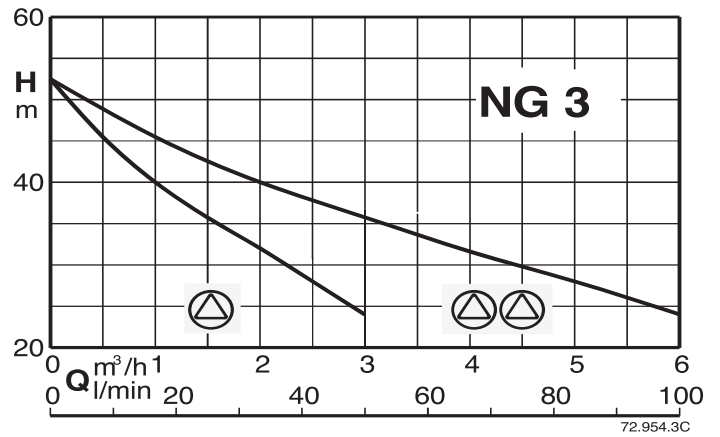
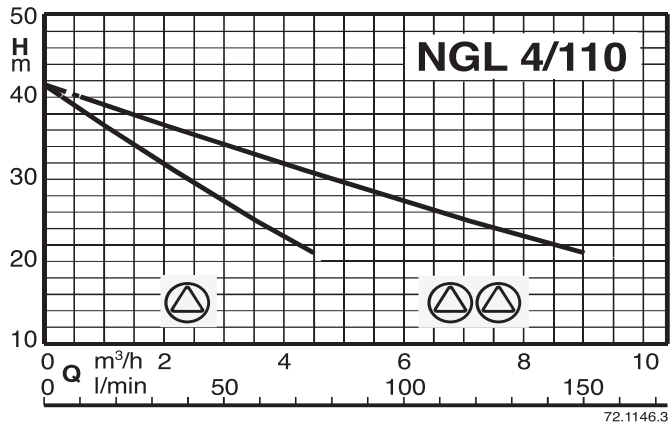
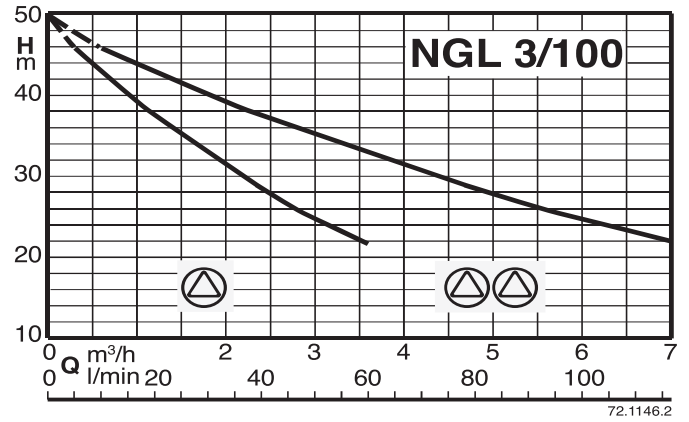
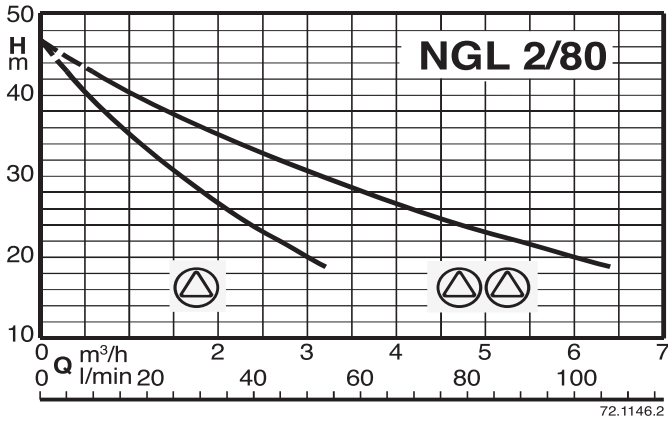
Constructed in accordance with: IEC 60034.

Other voltages and frequencies on request.

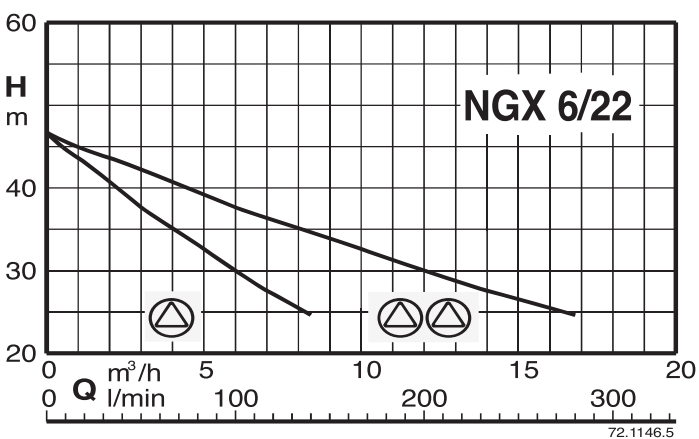
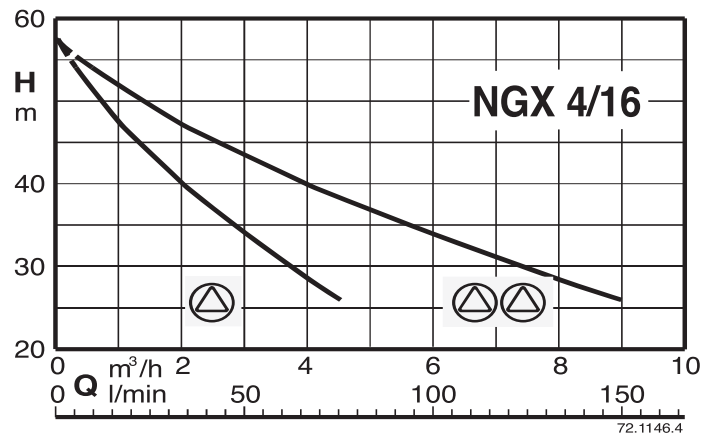
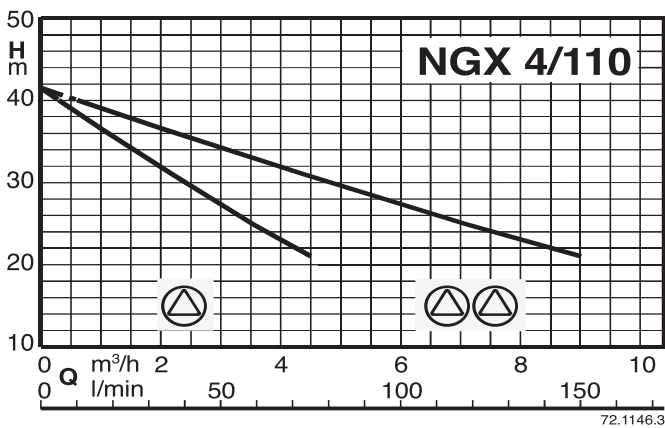
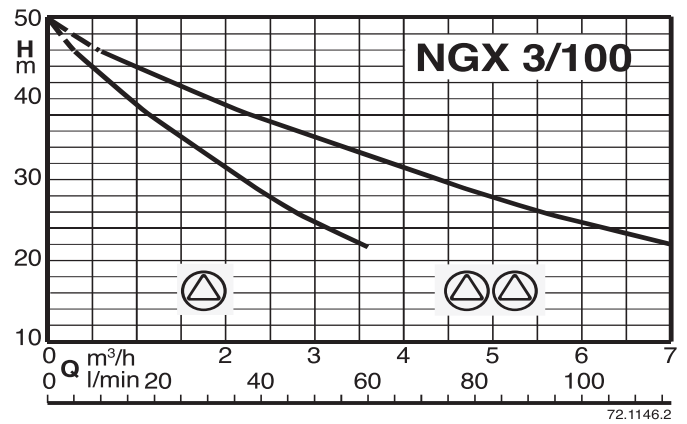
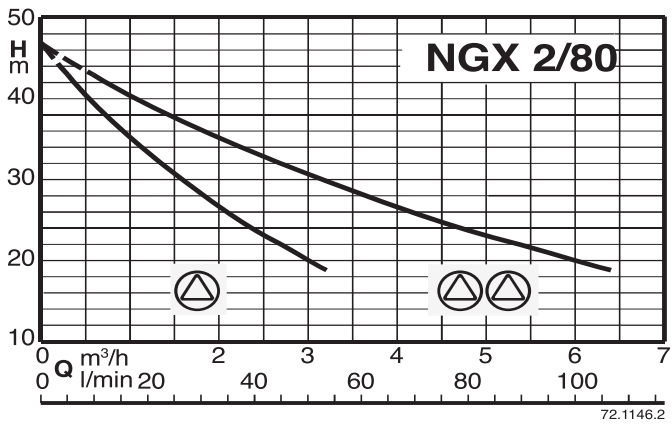
Vessels (on request)

Capacity 20/24 litres, membrane type, air precharged.

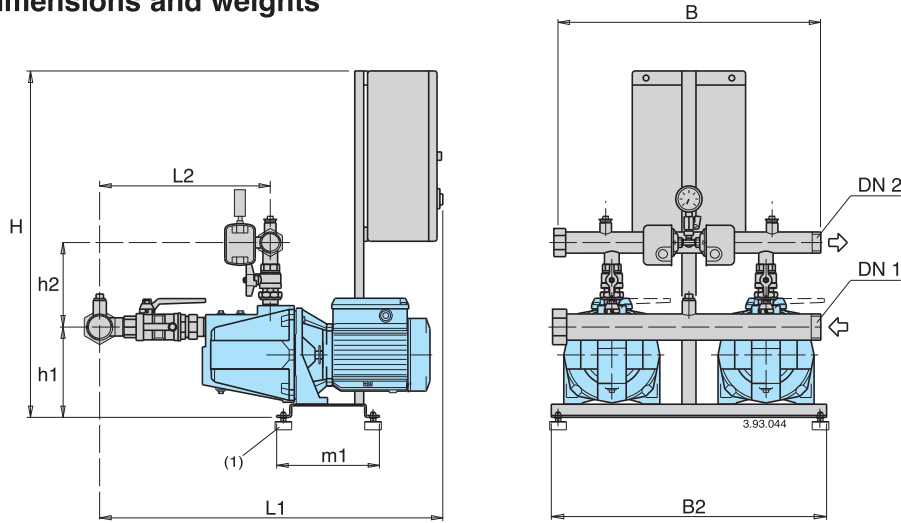
Coverage chart



Coverage chart



Characteristic, dimensions and weights



BS2F BSM2F

Mains: 400V 3~ Motor: 400V 3~	Mains: 230V 1~ Motor: 230V 1~	Motor		Q max* l/min	Pres. switch setting		Connection		mm								Weight kg	Vessel	
		kW	HP		bar	bar	DN1	DN2	H	h1	h2	L1	L2	m1	B2	B		Mem. litre	Vessel litre
BS2F 2NGL 2/80	BSM2F 2NGLM 2/80	0,55+0,55	0,75+0,75	100	2,4÷3,6	2,0÷3,2	G 2	G 1 1/2	840	151	206	793	355				42	24x2	100
BS2F 2NGL 3/100	BSM2F 2NGLM 3/100	0,65+0,65	0,9+0,9	110	2,8÷4,0	2,4÷3,6	G 2	G 1 1/2	840	151	206	793	355	235	625	600	46	24x2	100
BS2F 2NGL 4/110	BSM2F 2NGLM 4/110	0,75+0,75	1+1	150	2,4÷3,6	2,0÷3,2	G 2	G 1 1/2	840	151	206	793	355				49	24x2	100

* Maximum pumps flow at minimum set pressure of 2nd pressure switch.

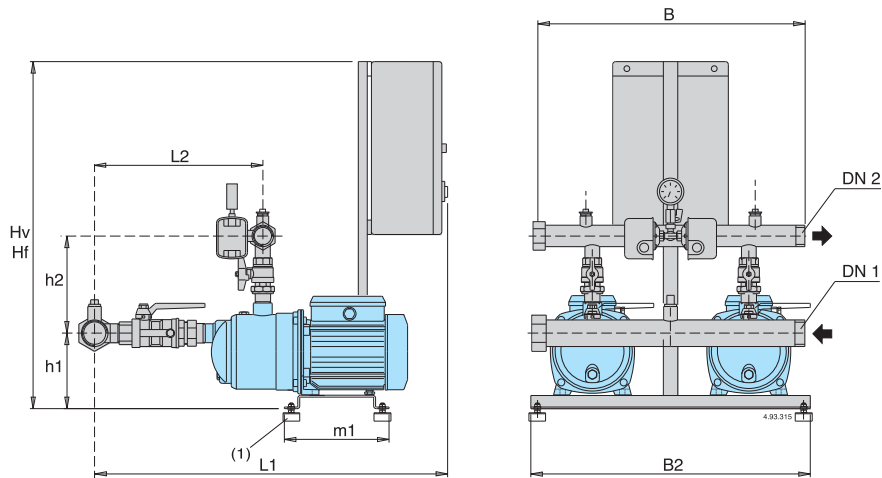
Dimensions not binding to be verified when ordering

BS2F BSM2F

Mains: 400V 3~ Motor: 400V 3~	Mains: 230V 1~ Motor: 230V 1~	Motor		Q max* l/min	Pres. switch setting		Connection		mm								Weight kg	Vessel	
		kW	HP		bar	bar	DN1	DN2	H	h1	h2	L1	L2	m1	B2	B		Mem. litre	Vessel litre
BS2F 2NG 3/A	BSM2F 2NGM 3/A	0,55+0,55	0,75+0,75	95	3,0÷4,2	2,5÷3,7	G 2	G 1 1/2	840	184	188	775	345				61	24x2	100
BS2F 2NG 4/B	BSM2F 2NGM 4/A	0,75+0,75	1+1	130	2,4÷3,6	2,0÷3,2	G 2	G 1 1/2	840	184	188	775	345				62	24x2	100
BS2F 2NG 5/16/A	BSM2F 2NGM 5/16E	1,1+1,1	1,5+1,5	140	3,8÷5,3	3,4÷4,9	G 2 1/2	G 1 1/2	840	200	202	935	470	235	625	600	86	24x2	100
	BSM2F 2NGM 6/22E	1,5+1,5	2+2	290	3,0÷4,2	2,5÷3,7	G 2 1/2	G 1 1/2	840	200	202	935	470				89	100	200
BS2F 2NG 6/22/A		1,5+1,5	2+2	290	3,2÷4,5	2,8÷4,0	G 2 1/2	G 1 1/2	840	200	202	935	470				90	100	200
BS2F 2NG 7/22/B		2,2+2,2	3+3	300	3,8÷5,3	3,4÷4,9	G 2 1/2	G 1 1/2	840	200	202	935	470				92	200	300

* Maximum pumps flow at minimum set pressure of 2nd pressure switch.

Dimensions not binding to be verified when ordering



BS2F BSM2F

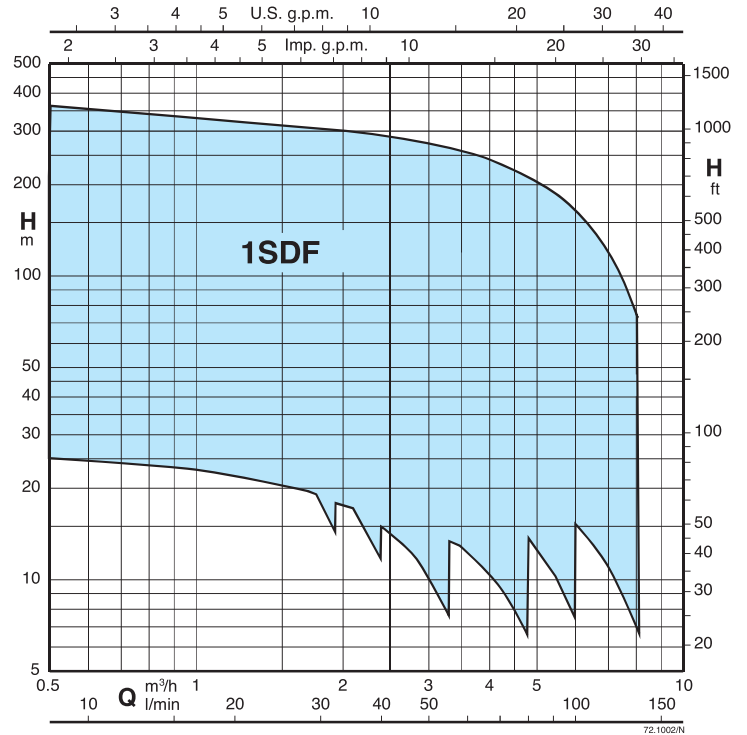
Mains: 400V 3~ Motor: 400V 3~	Mains: 230V 1~ Motor: 230V 1~	Motor		Q max* l/min	Pres. switch setting		Connection		mm								Weight kg	Vessel	
		kW	HP		bar	bar	DN1	DN2	H	h1	h2	L1	L2	m1	B2	B		Mem. litre	Vessel litre
BS2F 2NGX 2/80	BSM2F 2NGXM 2/80	0,55+0,55	0,75+0,75	100	2,4÷3,6	2,0÷3,2	G 2	G 1 1/2	840	151	206	793	355				42	24x2	100
BS2F 2NGX 3/100	BSM2F 2NGXM 3/100	0,65+0,65	0,9+0,9	110	2,8÷4,0	2,4÷3,6	G 2	G 1 1/2	840	151	206	793	355				46	24x2	100
BS2F 2NGX 4/110	BSM2F 2NGXM 4/110	0,75+0,75	1+1	150	2,4÷3,6	2,0÷3,2	G 2	G 1 1/2	840	151	206	793	355	235	625	600	49	24x2	100
BS2F 2NGX 4/16	BSM2F 2NGXM 4/16	1,1+1,1	1,5+1,5	130	3,4÷4,9	3,0÷4,5	G 2	G 1 1/2	840	187	212	836	380				61	24x2	100
BS2F 2NGX 6/22/A	BSM2F 2NGXM 6/22	1,5+1,5	2+2	280	3,0÷4,2	2,5÷3,7	G 2	G 1 1/2	840	187	212	836	380				65	100	200

* Maximum pumps flow at minimum set pressure of 2nd pressure switch.

Dimensions not binding to be verified when ordering



Coverage chart



Operation

BS1V Pressure boosting sets with 1 variable speed pump (with EASYMAT).

Depending on water consumption, one pump is activated, at variable speed, in order to guarantee the quantity of water required at the set pressure.



CONSTANT PRESSURE MODE:

the system keeps the pressure constant when the quantity of water requested by the user changes.



FIXED SPEED MODE:

the system works at a fixed speed that user can choose according to his need.

Execution

Constant pressure boosting sets with **EASYMAT** frequency converter made of 1 pump, ball valve, non return valve and pressure gauge on delivery side.

Suitable for installation of pressure vessel on delivery side.

Applications

For drawing water out of a well

As pressure boosting pump for central water systems with low pressure (follow local specifications if increasing network pressure)

Motors

2-pole induction motors, 50Hz, $n \approx 2900$ rpm, suitable for operation with frequency converter

- Three-phase 230V +/-10%

Class F insulation

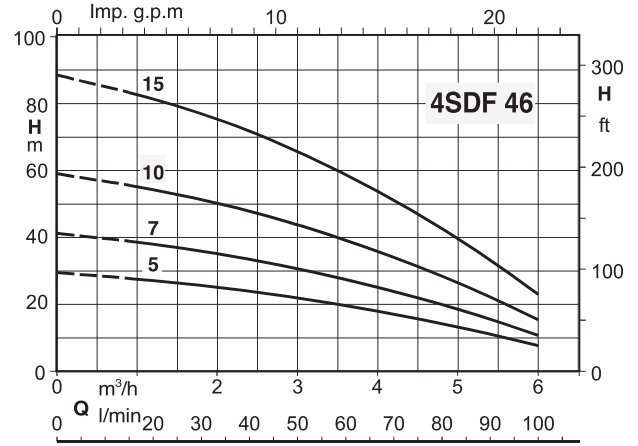
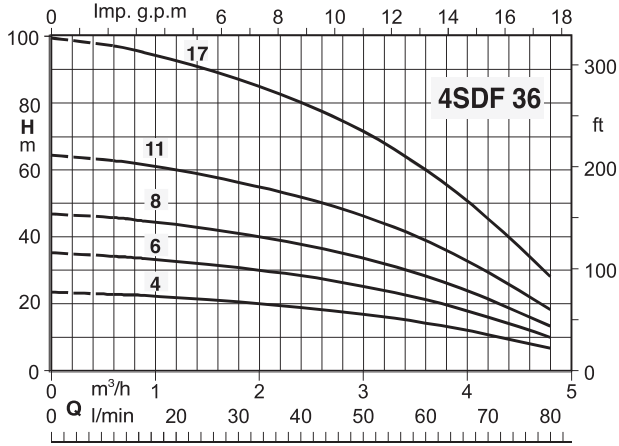
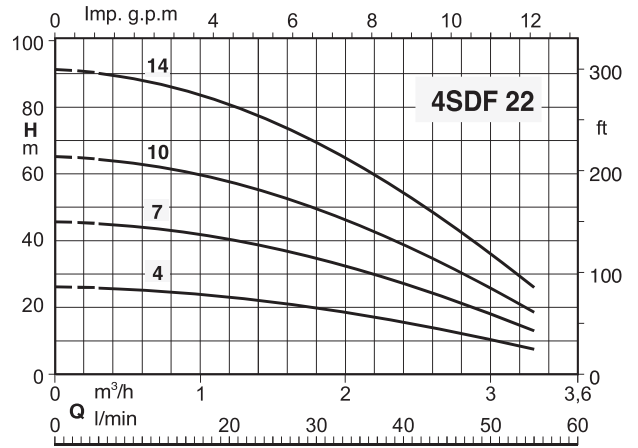
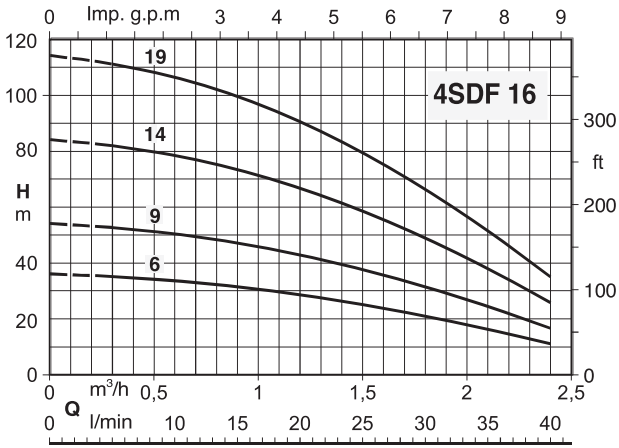
IP 68 protection

Execution according IEC 60034

Other voltages on demand

Pressure vessels (on demand)

Coverage chart



Characteristic and dimensions

Mains: 1~ 230V Motor: 3~ 230V	mains		P ₂	
	A	motor A	kW	HP
BSM1V 1-4SDF 16/6E-EMT	2.5	1.9	0.37	0.5
BSM1V 1-4SDF 16/9E-EMT	2.5	1.9	0.37	0.5
BSM1V 1-4SDF 16/14E-EMT	3.7	2.8	0.55	0.75
BSM1V 1-4SDF 16/19E-EMT	4.8	3.5	0.75	1
BSM1V 1-4SDF 22/4E-EMT	2.5	1.9	0.37	0.5
BSM1V 1-4SDF 22/7E-EMT	2.5	1.9	0.37	0.5
BSM1V 1-4SDF 22/10E-EMT	3.7	2.8	0.55	0.75
BSM1V 1-4SDF 22/14E-EMT	4.8	3.5	0.75	1
BSM1V 1-4SDF 36/4E-EMT	2.5	1.9	0.37	0.5
BSM1V 1-4SDF 36/6E-EMT	2.5	1.9	0.37	0.5
BSM1V 1-4SDF 36/8E-EMT	3.7	2.8	0.55	0.75
BSM1V 1-4SDF 36/11E-EMT	4.8	3.5	0.75	1
BSM1V 1-4SDF 36/17E-EMT	6.8	4.9	1.1	1.5
BSM1V 1-4SDF 46/5E-EMT	2.5	1.9	0.37	0.5
BSM1V 1-4SDF 46/7E-EMT	3.7	2.8	0.55	0.75
BSM1V 1-4SDF 46/10E-EMT	4.8	3.5	0.75	1
BSM1V 1-4SDF 46/15E-EMT	6.8	4.9	1.1	1.5
BSM1V 1-4SDF 54/5E-EMT	3.7	2.8	0.55	0.75
BSM1V 1-4SDF 54/7E-EMT	4.8	3.5	0.75	1
BSM1V 1-4SDF 54/10E-EMT	6.8	4.9	1.1	1.5
BSM1V 1-4SDF 54/14E-EMT	9.5	6.8	1.5	2

