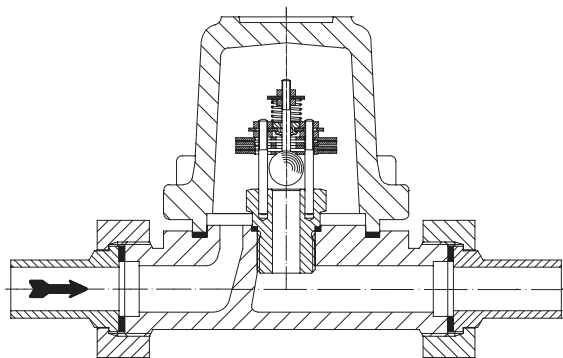


Operating and installation instructions

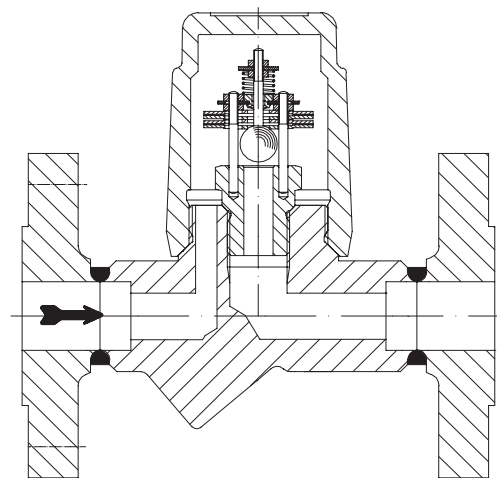
Liquid drainer

(PN16 / 40)



PN16

- with flanges (series 665...1)
- union with butt weld ends (series 665...5)



PN40

- with flanges (series 665...1)
- with screwed sockets (series 665...2)
- with socket weld ends (series 665...3)
- with butt weld ends (series 665...4)

Contents

1.0 General information on operating instructions.....	2	6.0 Putting the valve into operation	7
2.0 Notes on possible dangers.....	2	7.0 Care and maintenance.....	8
2.1 Significance of symbols	2	7.1 Cleaning/replacing controller assembly.....	8
2.2 Explanatory notes on safety information	2	7.2 Tightening torques.....	9
3.0 Storage and transport	2	8.0 Troubleshooting	9
4.0 Description.....	3	9.0 Troubleshooting table	9
4.1 Scope of applications	3	10.0 Dismantling the valve or the body	10
4.2 Operating principles	3	11.0 Warranty / Guarantee	10
4.3 Diagram.....	4	12.0 EC declaration of conformity.....	11
4.4 Technical data - remarks	5		
4.5 Marking	5		
5.0 Installation.....	5		
5.1 General notes on installation.....	5		
5.2 Installation instructions for welding	6		
5.3 Controller adjustment.....	6		
5.4 Steam trap testing through ultrasonic measurement.....	6		
5.5 Installation position.....	7		

1.0 General information on operating instructions

These operating instructions provide information on mounting and maintaining the fittings. Please contact the supplier or the manufacturer in case of problems which cannot be solved by reference to the operating instructions.

They are binding on the transport, storage, installation, start-up, operation, maintenance and repair.

The notes and warnings must be observed and adhered to.

- Handling and all work must be carried out by expert personnel or all activities must be supervised and checked.

It is the owner's responsibility to define areas of responsibility and competence and to monitor the personnel.

- In addition, current regional safety requirements must be applied and observed when taking the fittings out of service as well as when maintaining and repairing them.

The manufacturer reserves the right to introduce technical modifications at any time.

These Operating Instructions comply with the requirements of EU Directives.

2.0 Notes on possible dangers

2.1 Significance of symbols



Warning of general danger.

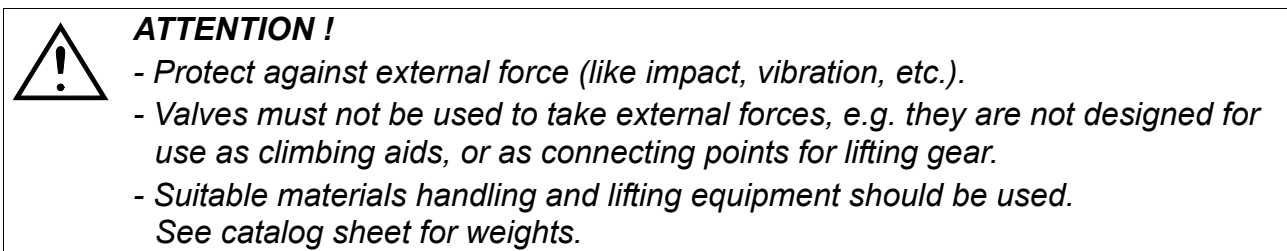
2.2 Explanatory notes on safety information

In these Operating and Installation Instructions dangers, risks and items of safety information are highlighted to attract special attention.

Information marked with the above symbol and "**ATTENTION!**" describe practices, a failure to comply with which can result in serious injury or danger of death for users or third parties or in material damage to the system or the environment. It is vital to comply with these practices and to monitor compliance.

All other information not specifically emphasised such as transport, installation, operating and maintenance instructions as well as technical data (in the operating instructions, product documentation and on the device itself) must also be complied with to the fullest extent in order to avoid faults which in turn can cause serious injury to persons or damage to property.

3.0 Storage and transport



- At -20°C to +65°C.

- The paint is a base coat to protect against corrosion during transportation and storage. Do not damage paint protection.

4.0 Description

4.1 Scope of applications

Automatic liquid drainers with thermal control are used to drain off condensate during system start-up and shut-down.



ATTENTION !

- Refer to the data sheet for applications, limits on use and possibilities.
- Certain media require or preclude the use of special materials.
- The valves are designed for standard operating conditions. If conditions exceed these requirements, e.g. aggressive or abrasive media, the operator should state the higher requirements when ordering.
- Valves made from grey cast iron are not authorised for use in systems subject to TRD 110.

The information complies to the Pressure Equipment Directive 97/23/EC.

It is the responsibility of the machine planner to ensure compliance.

The special markings on the valve must be taken into account.

Refer to the catalogue sheet to see which materials are used in standard versions.

Please contact the supplier or the manufacturer if you have any questions.

4.2 Operating principles

(refer to Fig. 3 page 6)

The automatic liquid drainer drains condensate from steam facilities during the start-up of a process. When the set closing pressure is reached the valve shuts automatically.

When the system shuts down or closing pressure is not reached, the valve opens and automatically takes over residual drainage.

When the system is unpressurised the liquid drainer is held in the open position by the built-in spring (Pos. 24.5). It shuts as soon as the operating pressure has risen to the set closing pressure (due to the pressure differential effective at the valve area versus spring resistance).

If the operating pressure drops below the closing pressure it opens due to spring resistance.

The liquid drainer is supplied as standard with a factory-set closing pressure of $\geq 1,5$ bar.

4.3 Diagram

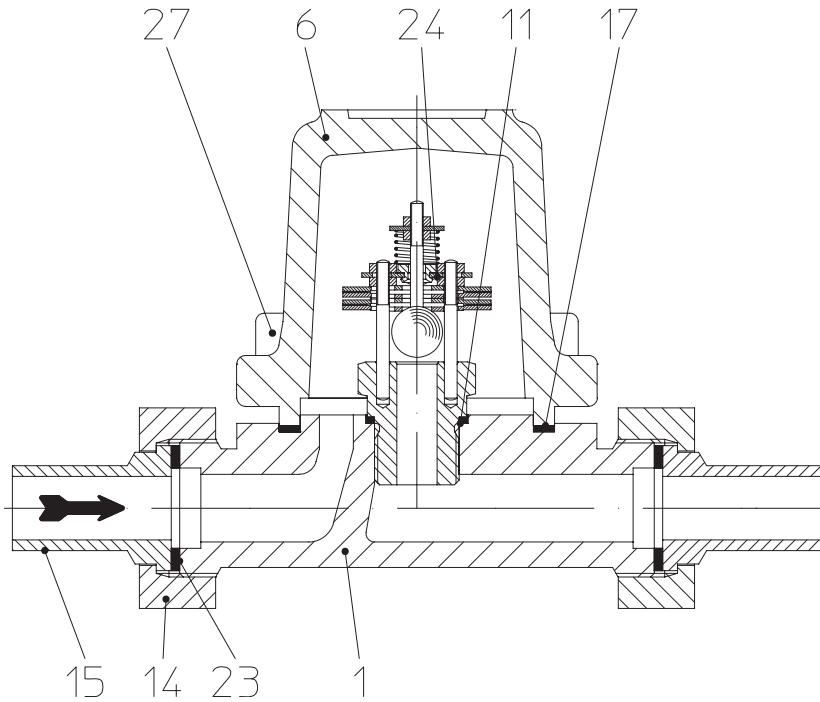


Fig. 1: Liquid drainer - series 665 PN16
DN15-25 (union with butt weld ends)

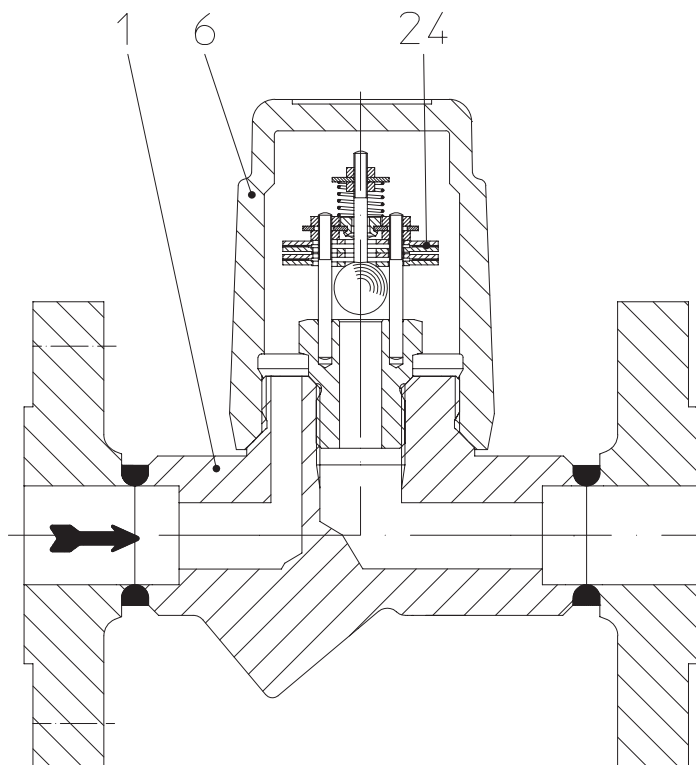


Fig. 2: Liquid drainer - series 665 PN40
DN15-25 (with flanges)

Refer to the data sheet for information about materials with designations and figure numbers.

4.4 Technical data - remarks

for

- Principal dimensions,
- Pressure-temperature-ratings, operating limits,
- Valves with different types of connection , etc.
refer to datasheet.

4.5 Marking

AWH Manufacturer

Address of manufacturer:

Typ Type

refer to item 11.0 Warranty / Guarantee

Bj. Year of manufacture

According to the Pressure Equipment Directive appendix 2 diagram 7 valves acc. to article 1 paragraph 2.1.2 (pipes) only show the CE-marking from DN40 onwards.

5.0 Installation

5.1 General notes on installation

The following points should be taken into account besides the general principles governing installation work:



ATTENTION !

- Remove flange covers if present.
- The interior of valve and pipeline must be free from foreign particles.
- Installation in any position. Note installation position with reference to flow, see mark on valve.
- Steam line systems should be designed to prevent water accumulation.
- Lay pipelines so that damaging transverse, bending and torsional forces are avoided.
- Protect valves from dirt during construction work.
- Connection flanges must mate exactly.
- Valves must not be used to take external forces, e.g. they are not designed for use as climbing aids, or as connecting points for lifting gear.
- Suitable materials handling and lifting equipment should be used.
See data sheet for weights.
- Centre gaskets between the flanges.
- Precautions against freezing should be taken as a matter of course in any facilities susceptible to frost.

- Planners / construction companies or operators are responsible for positioning and installing products.

5.2 Installation instructions for welding

(refer to Fig. 1 page 4)

Please note that only qualified persons using appropriate equipment and working in accordance with technical rules are allowed to install fittings by welding.

The responsibility for this lies with the system owner.

Please refer to the catalogue sheet for information on type and instructions relating to welding socket weld ends/butt weld ends.

When welding products to the pipeline system these should be adequately cooled to prevent any adverse effect on the complete controller assembly (Pos. 24) and possibly the flat gasket (Pos. 17). The heat-affected zone should be restricted to the immediate weld seam area!

Note pre- and post-welding heat treatment in accordance with Material Fact Sheet DIN EN 10222.

If there are plans to etch the facility before putting it into operation, the complete controller assemblies (Pos. 24) should be removed, replaced by etch inserts, and refitted after etching (see 7.1). In such an event please contact the manufacturer.

5.3 Controller adjustment

The factory setting guarantees closure of the liquid drainer at a differential pressure of $\Delta P = 1.5$ bar.

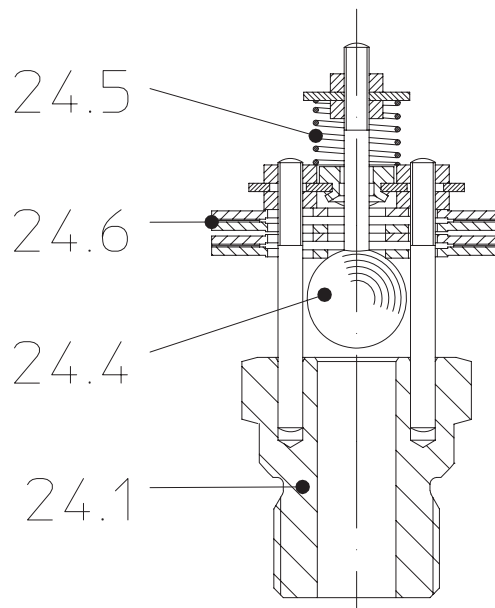


Fig. 3: Bimetallic controller

5.4 Steam trap testing through ultrasonic measurement

Testing the operation of the steam trap in the installed state is straightforward with the "ARImetec[®]-S" multifunction tester.

Refer to data sheet „ARImetec[®]-S “.

5.5 Installation position

(refer to Fig. 1 - Fig. 2 page 4)

The liquid drainer is designed for horizontal and vertical installation. Note flow in relation to installation position, see marking on valve.

6.0 Putting the valve into operation



ATTENTION !

- Before putting the valve into operation, check material, pressure, temperature and direction of flow.
- Regional safety instructions must be adhered to.
- Residues in piping and valves (dirt, weld beads, etc.) inevitably lead to leakage.
- Touching the valve when it is operating at high ($> 50\text{ °C}$) or low ($< 0\text{ °C}$) media temperatures can cause injury.

Affix warning notice or protective insulation as appropriate!

Before putting a new plant into operation or restarting a plant after repairs or modification, always make sure that:

- All works has been completed!
- The valve is in the correct position for its function.
- Safety devices have been attached.

7.0 Care and maintenance

Maintenance and maintenance-intervals have to be defined by the operator according to the requirements.



ATTENTION !

- refer to item 10.0 and 11.0 prior to dismantling and repair work!
- refer to item 6.0 before restarting the plant !

Prior to installation, threads and seal faces should be coated with temperature-stable lubricant (e.g. "OKS Anti-Seize Paste" white/metal-free for PN 16-40 or "Rivolta" lubricant and parting agent silver for PN 63 onwards).

7.1 Cleaning / replacing controller assembly

(refer to Fig. 1 page 4 - Fig. 3 page 6)

- Depressurise unit (isolate feed line, also vent line if there is back pressure).
- Release and dismantle screw cap (Pos. 6).
- Unscrew bimetallic controller (Pos. 24).
- Clean body (Pos 1), screw cap (Pos. 6) and all seal faces.
- Clean bimetallic controller (Pos. 24) and check sealing parts at seat (Pos. 24.1). If the operator thinks there is unwarranted leakage at the steam trap we recommend checking the controller setting or replacing the complete bimetallic controller (Pos. 24).
- Screw in and tighten bimetallic controller (Pos. 24) (see 7.2).
- Assemble screw cap (Pos. 6) (see 7.2).


7.2 Tightening torques

(refer to Fig. 1 - Fig. 2 page 4 and Fig. 3 page 6)

Pos.	Liquid drainer PN16/40	Torque (Nm)
		DN15-25
24	Controller	60
6	Screw cap	100
27	Cheese head screw M10	30


8.0 Troubleshooting

In the event of malfunction or faulty operating performance check that the installation and adjustment work has been carried out and completed in accordance with these Operating Instructions.

	<p>ATTENTION !</p> <p>It is essential that the safety regulations are observed when identifying faults.</p>
---	--

If malfunctions cannot be eliminated with the help of the following table "9.0 troubleshooting table", the supplier or manufacturer should be consulted.

9.0 Troubleshooting table

	<p>ATTENTION !</p> <p><i>- refer to item 10.0 and 11.0 prior to dismantling and repair work!</i></p> <p><i>- refer to item 6.0 before restarting the plant !</i></p>
---	---

Fault	Possible cause	Corrective measures
No flow	Installed in wrong flow direction	Fit valve in direction of flow arrow. Note installation position; refer to item 5.5!
	Flange covers not removed	Remove flange covers
	Bimetallic controller (Pos. 24) defective	Replace bimetallic controller; refer to item 7.1
Little flow	Wrong installation position	Note installation position; refer to item 5.5. Correct installation position
	Piping system clogged	Check piping system
No closure or internal leakage	Controller clogged	Clean controller; refer to item 7.1
	Controller worn out	Change controller; refer to item 7.1
	Controller incorrectly screwed into body	Check seal face between body and controller, tighten controller correctly; refer to item 7.2
External leakage	Screw cap (Pos. 6) not properly tightened	Tighten; refer to item 7.2

10.0 Dismantling the valve or the body



ATTENTION !

The following points must be observed:

- *Pressureless pipe system.*
- *Medium must be cool.*
- *Plant must be drained.*

11.0 Warranty / Guarantee

The extent and period of warranty cover are specified in the "Standard Terms and Conditions of Albert Richter GmbH & Co. KG" valid at the time of delivery or, by way of departure, in the contract of sale itself.

We guarantee freedom of faults in compliance with state-of-the-art technology and the confirmed application.

No warranty claims can be made for any damage caused as the result of incorrect handling or disregard of operating and installation instructions, datasheets and relevant regulations.

This warranty also does not cover any damage which occurs during operation under conditions deviating from those laid down by specifications or other agreements.

Justified complaints will be eliminated by repair carried out by us or by a specialist appointed by us.

No claims will be accepted beyond the scope of this warranty. The right to replacement delivery is excluded.

The warranty shall not cover maintenance work, installation of external parts, design modifications or natural wear.

Any damage incurred during transport should not be reported to us but *rather* to the competent cargo-handling depot, the railway company or carrier company immediately or else claims for replacements from these companies will be invalidated.



Technology for the Future.

GERMAN QUALITY VALVES

ARI-Armaturen Albert Richter GmbH & Co. KG, D-33756 Schloß Holte-Stukenbrock

Telephone (+49 5207) 994-0 Telefax (+49 5207) 994-158 or 159

Internet: <http://www.ari-armaturen.com> E-mail: info.vertrieb@ari-armaturen.com

12.0 EC declaration of conformity



**AWH Armaturenwerk Halle GmbH,
Turmstrasse 118, D-06110 Halle/Saale**

EC declaration of conformity
as defined by
the Pressure Equipment Directive 97/23/EC

We hereby declare,

that pursuant to the aforementioned Pressure Equipment Directive the products listed below were executed and classified in accordance with Directive 97/23/EC (Article 3, paragraph 3).

Pursuant to Article 3, paragraph 3 these products should not carry a CE mark.


Liquid drainer

Series	Nom. pressure	Material	DN
665	PN 16/40	EN-JL1040; 1.0460	15-25

Applied standards:

DIN 3840
AD 2000-leaflet
ASME VIII/1

Halle/Saale, 25.03.2004


.....
(Dr. Urbanek, Managing director)